

### Panel Mount Type Cap Housings (Cont'd)

(Applicable Contact P/N: 175149-□, 175150-□)

#### For 15 Circuits

**Material:**

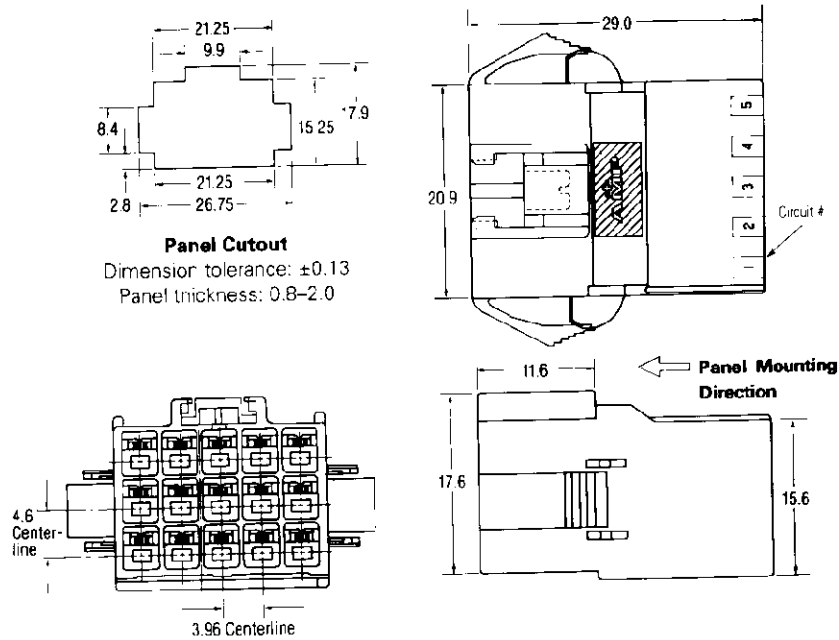
UL 94V-0 rated, 6/6 Nylon

**Part Number: 176300-□**

Housing Color

(for suffixed no.)

- 1—Natural
- 2—Red
- 4—Yellow
- 6—Blue
- 9—Black



#### For 18 Circuits

**Material:**

UL 94V-0 rated, 6/6 Nylon

**Part Number: 176301-□**

Housing Color

(for suffixed no.)

- 1—Natural
- 2—Red
- 4—Yellow
- 6—Blue
- 9—Black

