

**Plug Housings (Cont'd)**

(Applicable Contact P/N: 175151-□, 175152-□)

**For 15 Circuits**

**Material:**

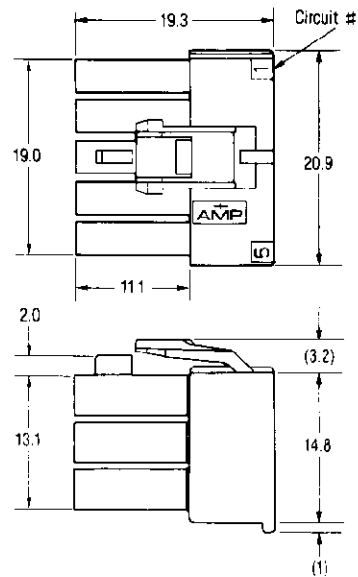
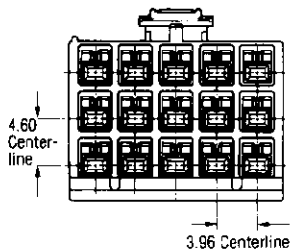
UL 94V-0 rated, 6/6 Nylon

**Part Number: 176279-□**

(Housing Color

(for suffixed no.)

- 1 - Natural
- 2 - Red
- 4 - Yellow
- 6 - Blue
- 9 - Black



**For 18 Circuits**

**Material:**

UL 94V-0 rated, 6/6 Nylon

**Part Number: 176280-□**

(Housing Color

(for suffixed no.)

- 1 - Natural
- 2 - Red
- 4 - Yellow
- 6 - Blue
- 9 - Black

