

Shielded CHAMP Latch Panel Mount Connectors

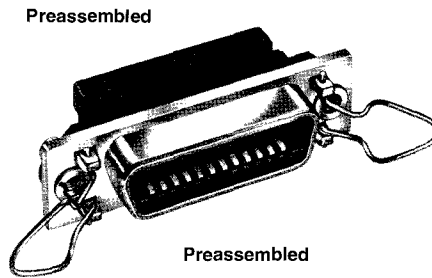
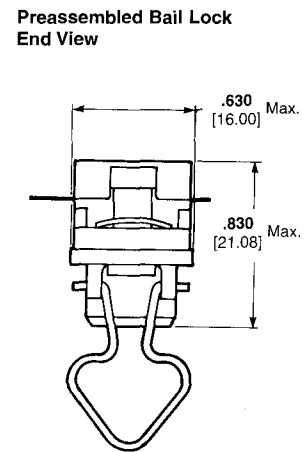
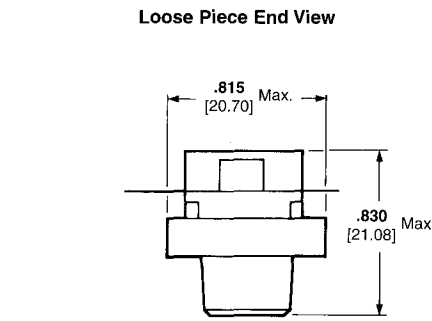
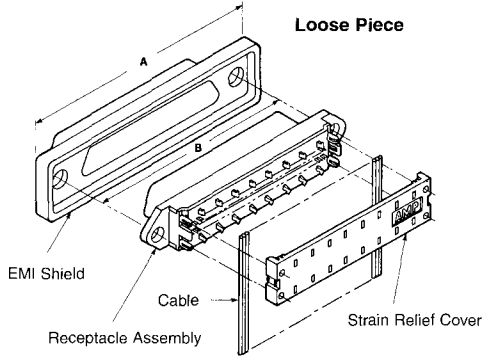
CHAMP Latch Connectors for .050 [1.27] Ribbon Cable

Material and Finish

Housing and Strain Relief Clip — Thermoplastic (black)

Terminals — Gold over nickel plated high strength copper alloy on mating face and gold flash over nickel plate on terminating side

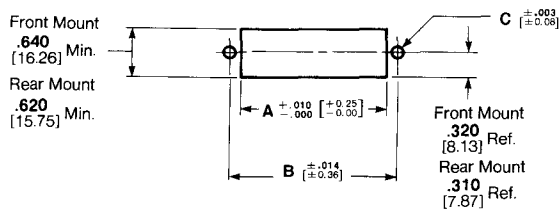
EMI Shield — Nickel plated die casting



Number of Positions	Loose Piece			Preassembled				
	Dimension		Part Number	Bail Lock		Screw Lock		
	A	B		Dimension	Part Number	Part Number	Part Number	
			A	B	4-40 Hole	6-32 Hole	4-40 Hole	
24	2.380 60.45	1.842 46.79	554349-1 ³	2.205 56.01	1.842 46.79	—	554434-1 ³	—
36	2.380 60.45	2.352 59.74	554348-1	2.715 68.96	2.352 59.74	554436-2 555983-11	—	—
50	3.475 88.27	2.946 74.83	554350-1	3.310 84.07	2.947 74.85	554902-11 ²	—	554436-2 ²

1 Does not have boss feature. Boss is a .040 [1.02] shoulder on front of shield.
 2 SCSI applicable.
 3 Can be used with Interface Bus Applications per IEEE-488.

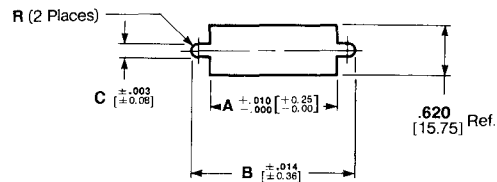
Recommended Panel Cutouts for Front and Rear Panel Mountings



Loose Piece Standard Hardware Application

No. of Pos.	Loose Piece					
	Front Panel Mount			Rear Panel Mount		
	A	B	C	A	B	C
24	1.488 37.80	1.842 46.79	.126 3.20	1.575 40.01	1.842 46.79	.149 3.78
36	2.000 50.80	2.352 59.74	.126 3.20	2.085 52.96	2.352 59.74	.149 3.78
50	2.700 68.58	2.946 74.83	.126 3.20	2.700 68.58	2.946 74.83	.149 3.78

Recommended Panel Cutouts for Rear Panel Mounts Only.



Preassembled and Metric Application for IEEE-488

No. of Pos.	Preassembled					
	Ball Lock			Screw Lock		
	A	B	C	A	B	C
24	1.806 45.87	1.968 49.99	.152 3.86	1.575 40.01	1.994 50.65	.152 ¹ 3.78
36	2.316 58.83	2.478 62.94	.126 3.20	2.085 52.96	2.478 62.94	.126 3.20
50	2.910 73.91	3.072 78.03	.126 3.20	2.700 68.58	3.072 78.03	.126 3.20

¹ For IEEE-488 Metric Applications Dimension.
 C = .192 [4.88] B = 2.036 [51.71]