

**Shielded CHAMP Cable Connector Kits (Continued)**

**Receptacle Connectors and Kits**

How to determine proper kit part number:

- 1) Select 36- or 50-Position receptacle connector
- 2) Select B or E slot for wire to be terminated
- 3) Measure cable jacket outside diameter and wire bundle diameter for correct size ferrule selection
- 4) See chart for ordering information on page 100

**Material and Finish**

**Housing and Cover** — thermoplastic, black

**Terminals** — gold over nickel plated high strength copper alloy

**Shield** — bright nickel plated carbon steel

**Strain Relief** — flame retardant nylon, black

**Ferrule** — copper alloy

**Hardware** — zinc plated steel

**Specifications**

**Insulation Diameter** — .045 [1.14] max.

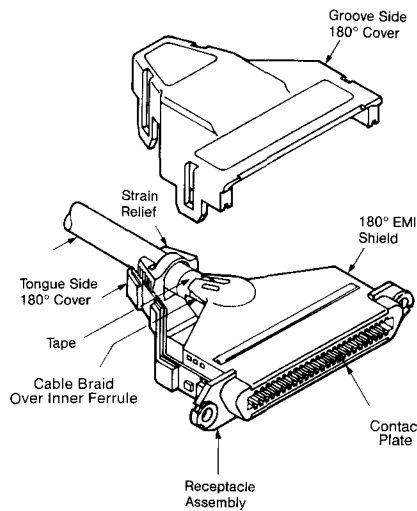
**Terminal Center-to-Center Spacing** — .085 [2.16]

**Slot Designation** (stamped on contacts which are preloaded in housing):

**B-Slot** — 24 AWG [0.51 mm] and 26 AWG [0.40 mm] (solid) or 24 AWG [0.20 mm<sup>2</sup>] (7 strand)

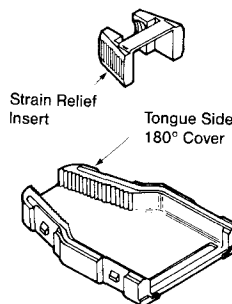
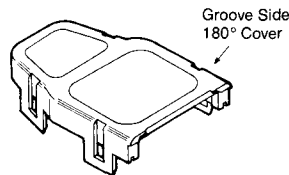
**E-Slot** — 26-27-28 AWG [0.12-0.10-0.09 mm<sup>2</sup>] (7 strand) wire

**Note:** Connector kits shipped unassembled.



**Screw or Bail Lock Connector Assemblies**

**Cover Kit (Sold Separately)**



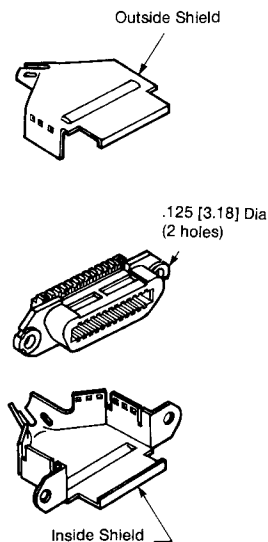
**Inner Ferrule (Sold Separately)**



**Ferrule Part Numbers<sup>1</sup>**

Inside Diameter	Part Number
.250	554725-1
6.35	554266-3
.300	554725-2
7.62	554266-4
.350	554725-3
8.89	554266-5

**Connector Kit — Supplied**



**Ferrule Part Numbers<sup>1</sup>**

Inside Diameter	Part Number
.400	554725-4
10.16	554266-6
.450	554725-5
11.43	554266-7
.500	554725-6
12.7	554266-8

<sup>1</sup> Bulk packed in quantities of 100 per bag.

CHAMP .085 Centerline  
Miniature Ribbon Connector Systems

