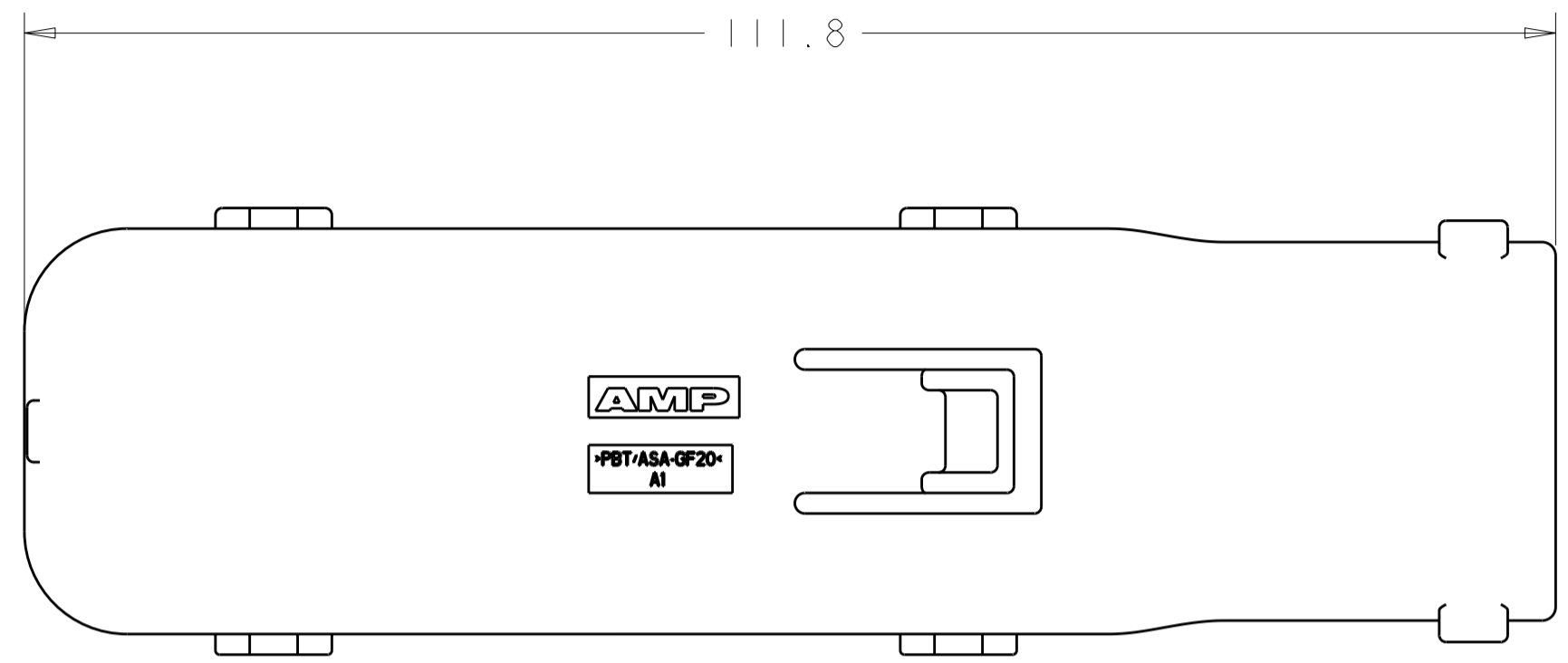
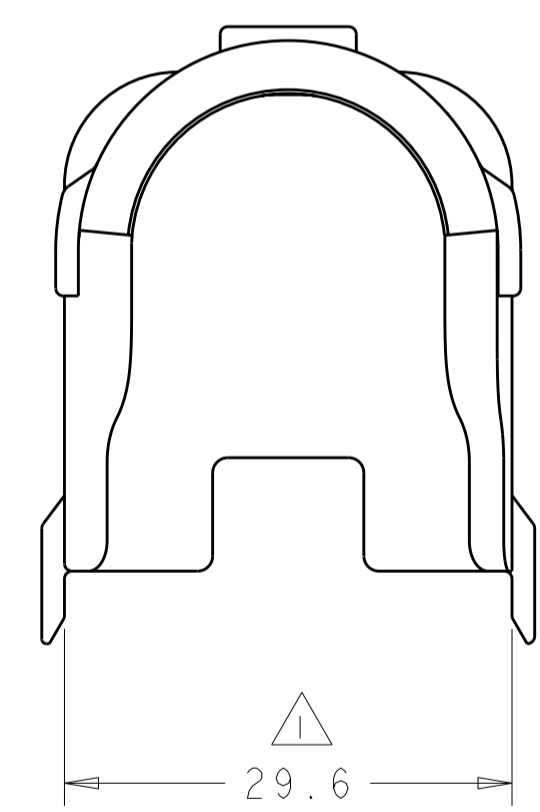
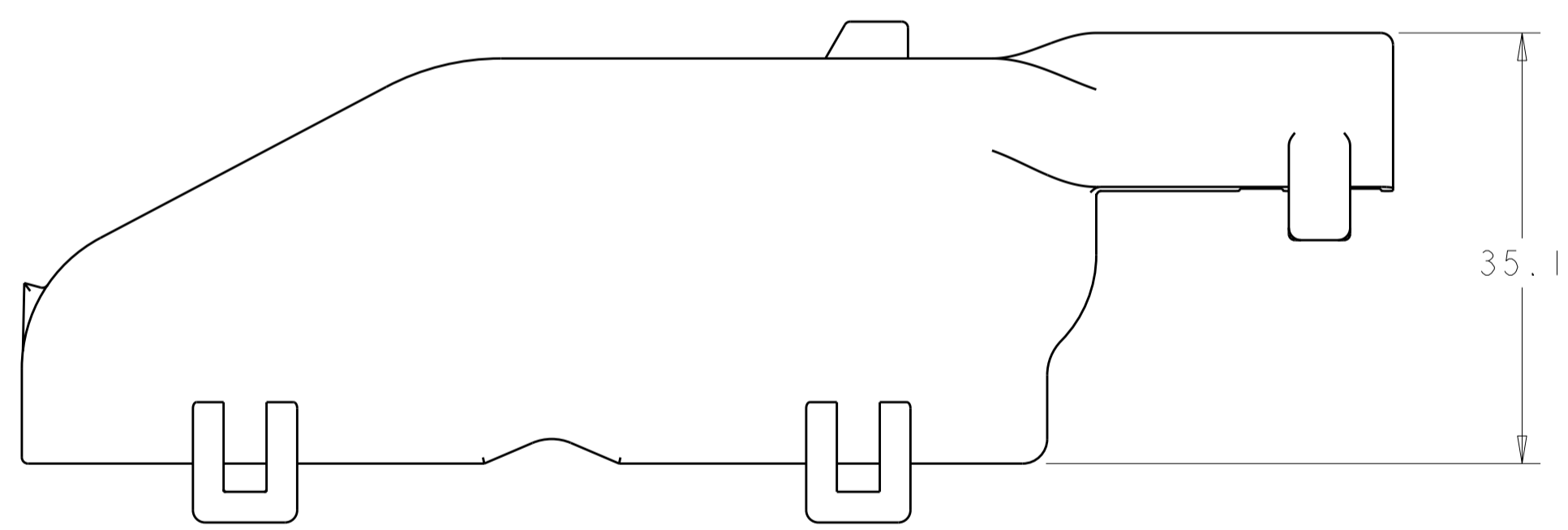


THIS DRAWING IS UNPUBLISHED. RELEASED FOR PUBLICATION 20
 © COPYRIGHT 20 BY TYCO ELECTRONICS CORPORATION. ALL RIGHTS RESERVED.

LOC	DIST	REVISIONS					
GE	00	P	LTR	DESCRIPTION	DATE	DWN	APVD
		O		RELEASED PER 0K40-0551-02	07JUN2002	AG	JT
		A		REVISED PER 0K40-0328-04	23SEP2004	AG	JT
		B		REVISED PER ECO-08-015549	26SEP2008	DLD	DHC



△ MAXIMUM PERMISSIBLE WARPAGE 1.2mm.



1326113-1
 PART NUMBER

<small>THIS DRAWING IS A CONTROLLED DOCUMENT FOR TYCO ELECTRONICS CORPORATION. IT IS SUBJECT TO CHANGE AND THE CONTROLLING ENGINEERING ORGANIZATION SHOULD BE CONTACTED FOR THE LATEST REVISION.</small>		DWN 07JUN2002 CHK 07JUN2002 APVD 07JUN2002	Tyco Electronics Harrisburg, PA 17105-3608
DIMENSIONS: mm	TOLERANCES UNLESS OTHERWISE SPECIFIED: 0 PLC ± 1 PLC ±0.2 2 PLC ± 3 PLC ± 4 PLC ± ANGLES ± FINISH	PRODUCT SPEC APPLICATION SPEC WEIGHT	NAME WIRE COVER, EBC-440 46 POSITION, EBC-440 ABS CONNECTOR
MATERIAL	-	CUSTOMER DRAWING	SIZE A2 CAGE CODE 00779 DRAWING NO. 1326113 RESTRICTED TO -
AMP 1471-9 REV 31MAR2000		SCALE 2:1	SHEET 1 OF 1 REV B

1326113