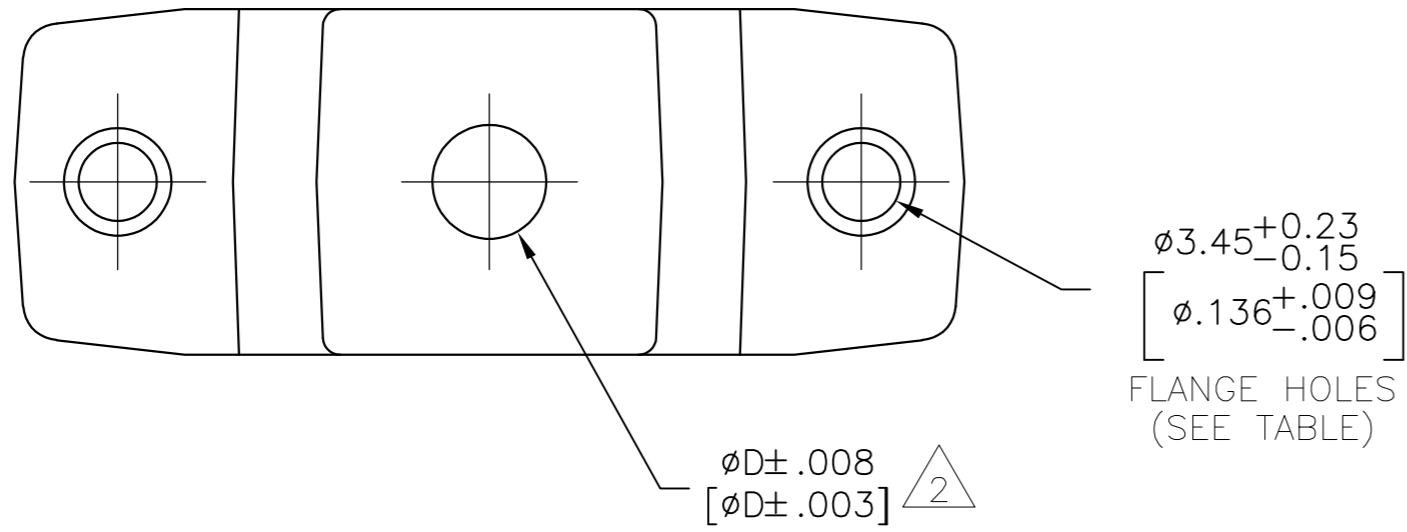
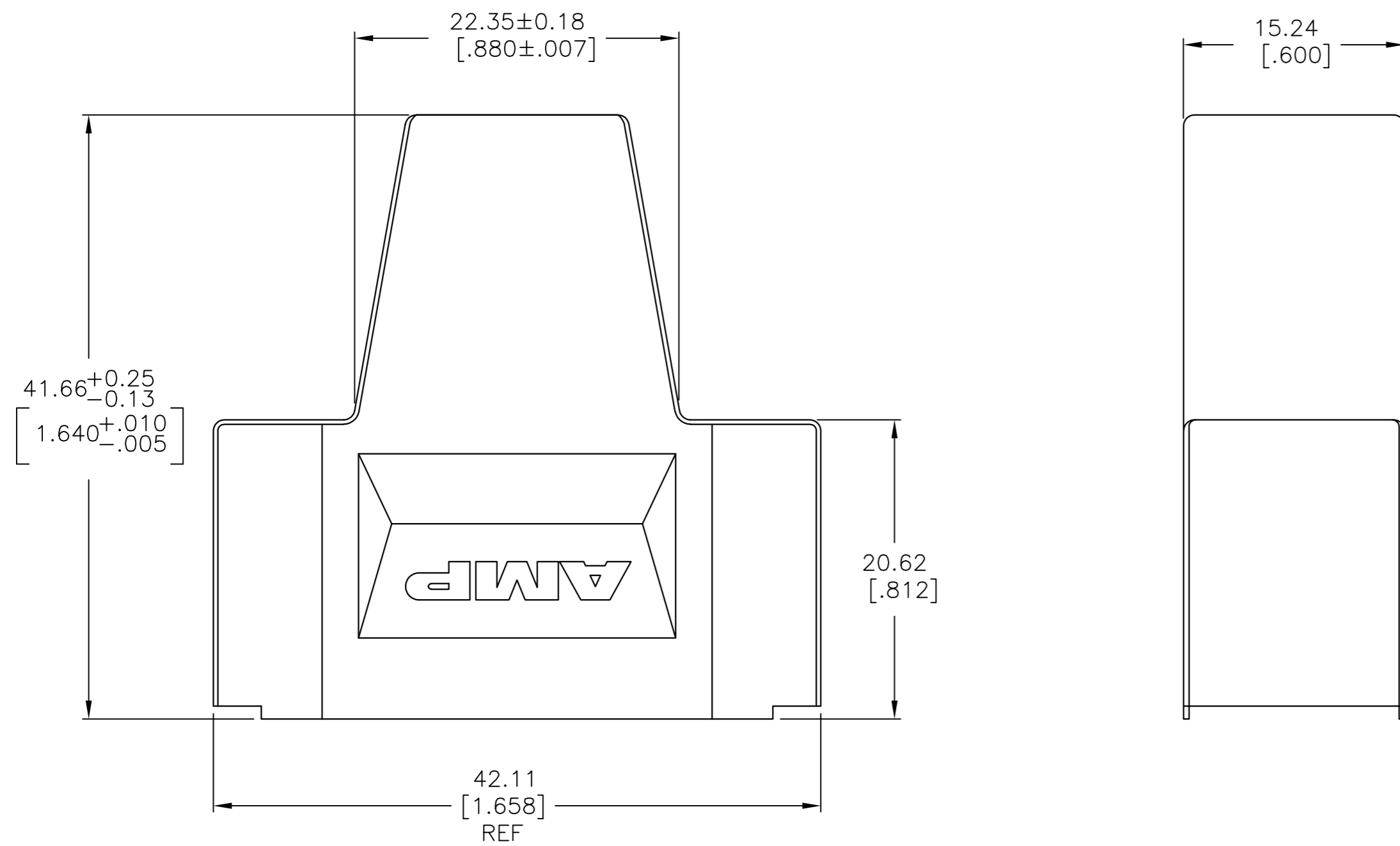


THIS DRAWING IS UNPUBLISHED. RELEASED FOR PUBLICATION
 © COPYRIGHT - By - ALL RIGHTS RESERVED.

LOC	DIST	REVISIONS			
P	LTR	DESCRIPTION	DATE	DWN	APVD
GP	00	B3	REVISED PER ECO-12-000193	30JAN2012	CJV CWR



- 1. MATERIAL: PVC, FLAMMABILITY RATING UL 94V-0.
- 2. INTERNAL FLASH UP TO 0.30[.012] IS PERMISSIBLE.
- 3. OBSOLETE PARTS: OBSOLETE CIS STREAMLINING PER D.RENAUD/D.SINISI.
- 4. MATERIAL: TPV, FLAMMABILITY RATING UL 94V-0, HALOGEN FREE.



OBSOLETE	COLOR	D DIM	FLANGE HOLES	MATERIAL	PART NUMBER
	BLACK	5.05[.199]	YES	4	747934-8
	BLACK	6.27[.247]	NO	1	747934-7
3	GREY	5.05[.199]	YES	1	747934-5
	BLACK	5.05[.199]	NO	1	747934-2
	BLACK	5.05[.199]	YES	1	747934-1

THIS DRAWING IS A CONTROLLED DOCUMENT.		DWN J. GERACE 09DEC04			
DIMENSIONS: mm [INCHES]		CHK C. ROHDE 09DEC04			
TOLERANCES UNLESS OTHERWISE SPECIFIED:		APVD M. WALMSLEY 09DEC04	NAME SHIELDING ENCLOSURE, SIZE 2, AMPLIMITE HDP		
0 PLC ± -		PRODUCT SPEC 114-40030	SIZE A2		
1 PLC ± -		APPLICATION SPEC	CAGE CODE 00779		
2 PLC ± 0.13[.005]		WEIGHT -	DRAWING NO C=747934		
3 PLC ± -		CUSTOMER DRAWING	RESTRICTED TO -		
4 PLC ± -		FINISH -	SCALE 3:1		
ANGLES ± -			SHEET 1 of 1		
MATERIAL SEE TABLE			REV B3		