

4

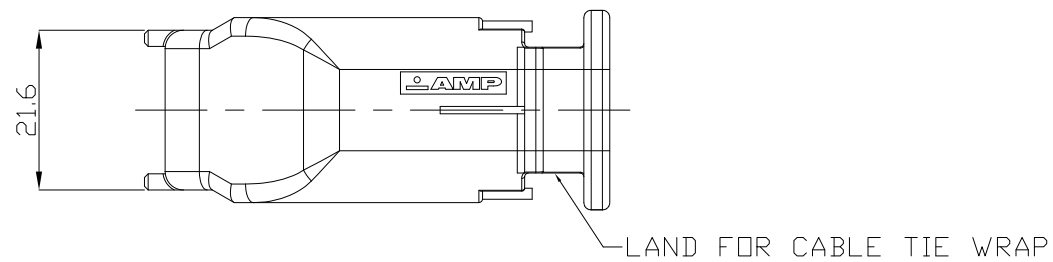
3

2

1

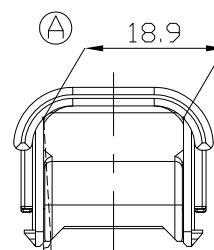
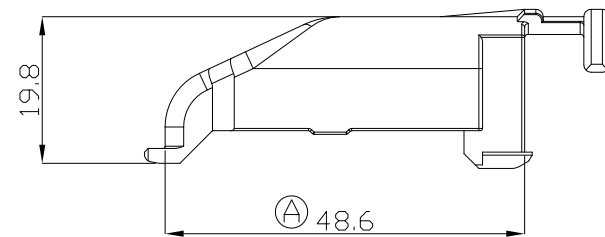
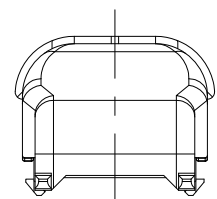
THIS DRAWING IS UNPUBLISHED. RELEASED FOR PUBLICATION
© COPYRIGHT BY TYCO ELECTRONICS CORPORATION. ALL RIGHTS RESERVED.

LOC	DIST	REVISIONS					
		P	LTR	DESCRIPTION	DATE	DWN	APVD
DS	—		A	REVISED<FC00-0104-01>	12,OCT,'01	HS	CS
			B	REVISED<FC00-0095-02>	21,JUN,'02	HS	CS
			C	REVISED<ECR-12-010401>	11,JUN,'12	YH	HG

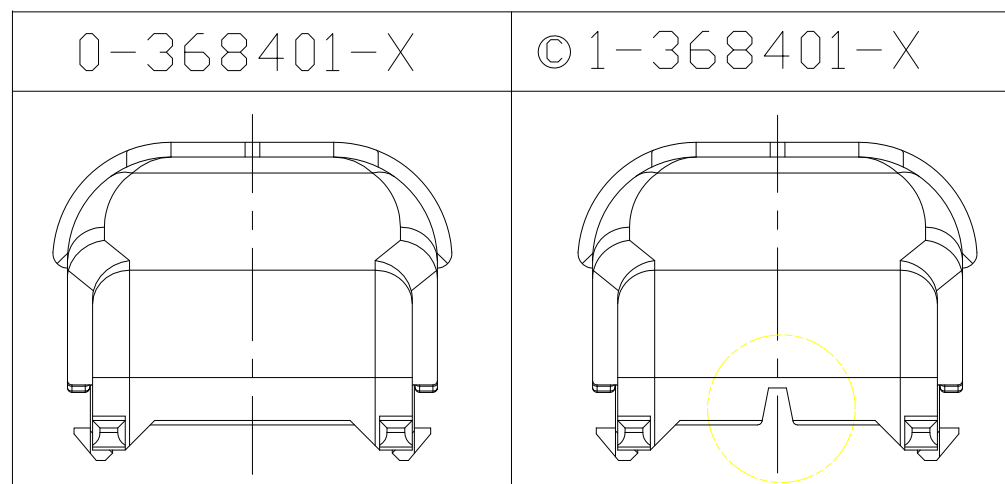
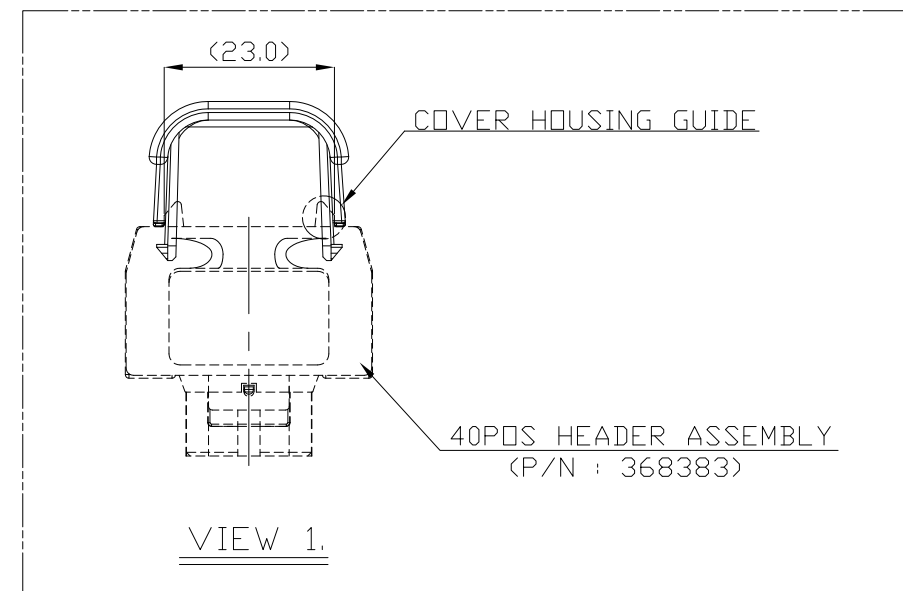
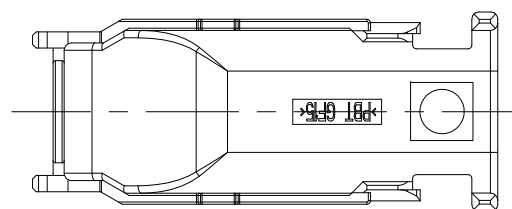


NOTES

- 1. GENERAL TOLERANCE IS ±0.5
- ① ② WARPAGE 1.0 MAX.
THIS WARPAGE WILL BE CORRECTED WITH COVER HOUSING GUIDE WHEN COVER PUTS ON THE HEADER ASSEMBLY.(SEE VIEW 1.)
- ③ APPLICATION TEST SPEC :
MS210-12-A2[EXT-2](EXCEPT 4.4)



② WARPAGE 1.0 MAX



THIS DRAWING IS A CONTROLLED DOCUMENT FOR TYCO ELECTRONICS CORPORATION IT IS SUBJECT TO CHANGE AND THE CONTROLLING ENGINEERING ORGANIZATION SHOULD BE CONTACTED FOR THE LATEST REVISION.

DIMENSIONS: MM	TOLERANCES UNLESS OTHERWISE SPECIFIED:
	0 PLC ±
3rd ANGLE PROJECTION	1 PLC ±
MATERIAL SEE NOTE	2 PLC ±
	3 PLC ±
	4 PLC ±
	ANGLES ±
	FINISH N/A

COVER HOUSING	① 1-368401-2	PBT-GF15	BLACK
COVER HOUSING	② 0-368401-2	PBT-GF15	TRAFFIC RED
COVER HOUSING	0-368401-1	PBT-GF15	BLACK
DESCRIPTION	Part NO.	MATERIAL	COLOR
DWN YH MA	TE Connectivity COVER HSG FOR 40POS		
CHK KT LIM			
APVDHG CHD			
PRODUCT SPEC			
APPLICATION SPEC	NAME	RESTRICTED TO	
WEIGHT	SIZE	CAGE CODE	DRAWING NO
CUSTOMER DRAWING	A3	00779	© 368401
	SCALE	SHEET	REV
	1:1	1 OF 1	C