

4

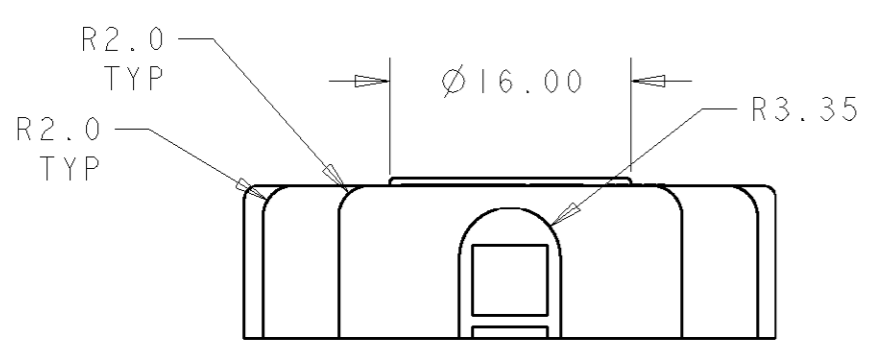
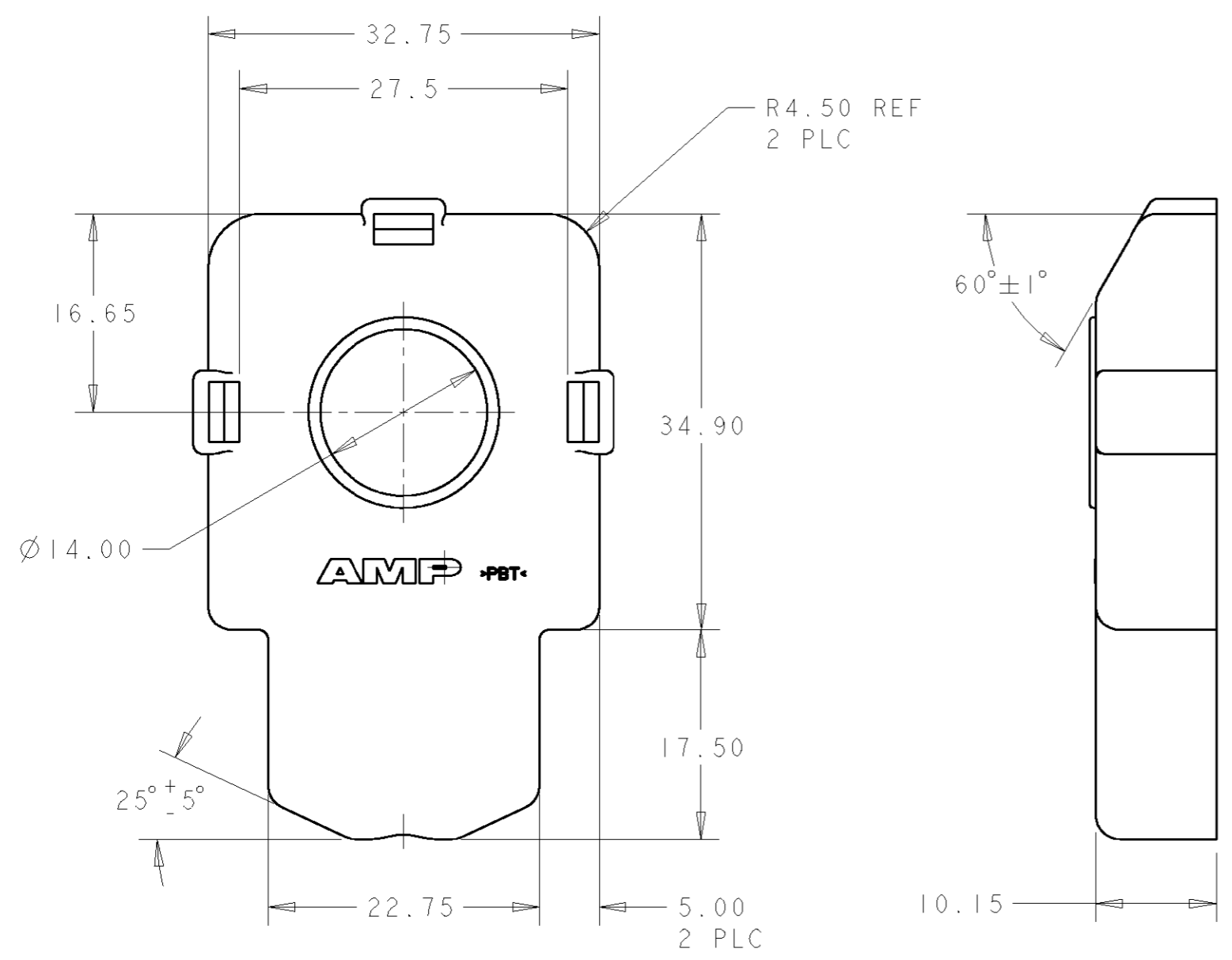
3

2

1

THIS DRAWING IS UNPUBLISHED. RELEASED FOR PUBLICATION 20
 © COPYRIGHT 20 BY TYCO ELECTRONICS CORPORATION. ALL RIGHTS RESERVED.

LOC	DIST	REVISIONS					
		P	LTR	DESCRIPTION	DATE	DWN	APVD
FX	00		A	REV PER EC OK80-0146-01	31JUL2001	JLM	WEB
			B	REV PER EC OK80-0266-01	19OCT2001	RGV	WEB



MATERIAL: VALOX 325, COLOR: GRAY

638182
PART NUMBER

<small>THIS DRAWING IS A CONTROLLED DOCUMENT FOR TYCO ELECTRONICS CORPORATION IT IS SUBJECT TO CHANGE AND THE CONTROLLING ENGINEERING ORGANIZATION SHOULD BE CONTACTED FOR THE LATEST REVISION.</small>		DWN JR BUSSARD 06OCT2000 CHK TM SHORE 06OCT2000 APVD TM SHORE 06OCT2000		Tyco Electronics Harrisburg, PA 17105-3608	
DIMENSIONS: mm		TOLERANCES UNLESS OTHERWISE SPECIFIED: 0 PLC \pm - 1 PLC ± 0.3 2 PLC ± 0.10 3 PLC \pm - 4 PLC \pm - ANGLES ± 0.5		NAME WIRE SHIELD TRANSMISSION	
		MATERIAL		FINISH -	
MATERIAL		FINISH -		PRODUCT SPEC - APPLICATION SPEC - WEIGHT -	
CUSTOMER DRAWING		SCALE 2:1		SHEET 1 OF 1 REV B	
SIZE A3		CAGE CODE 00779		DRAWING NO C-638182	
RESTRICTED TO -		RESTRICTED TO -		RESTRICTED TO -	