

4

3

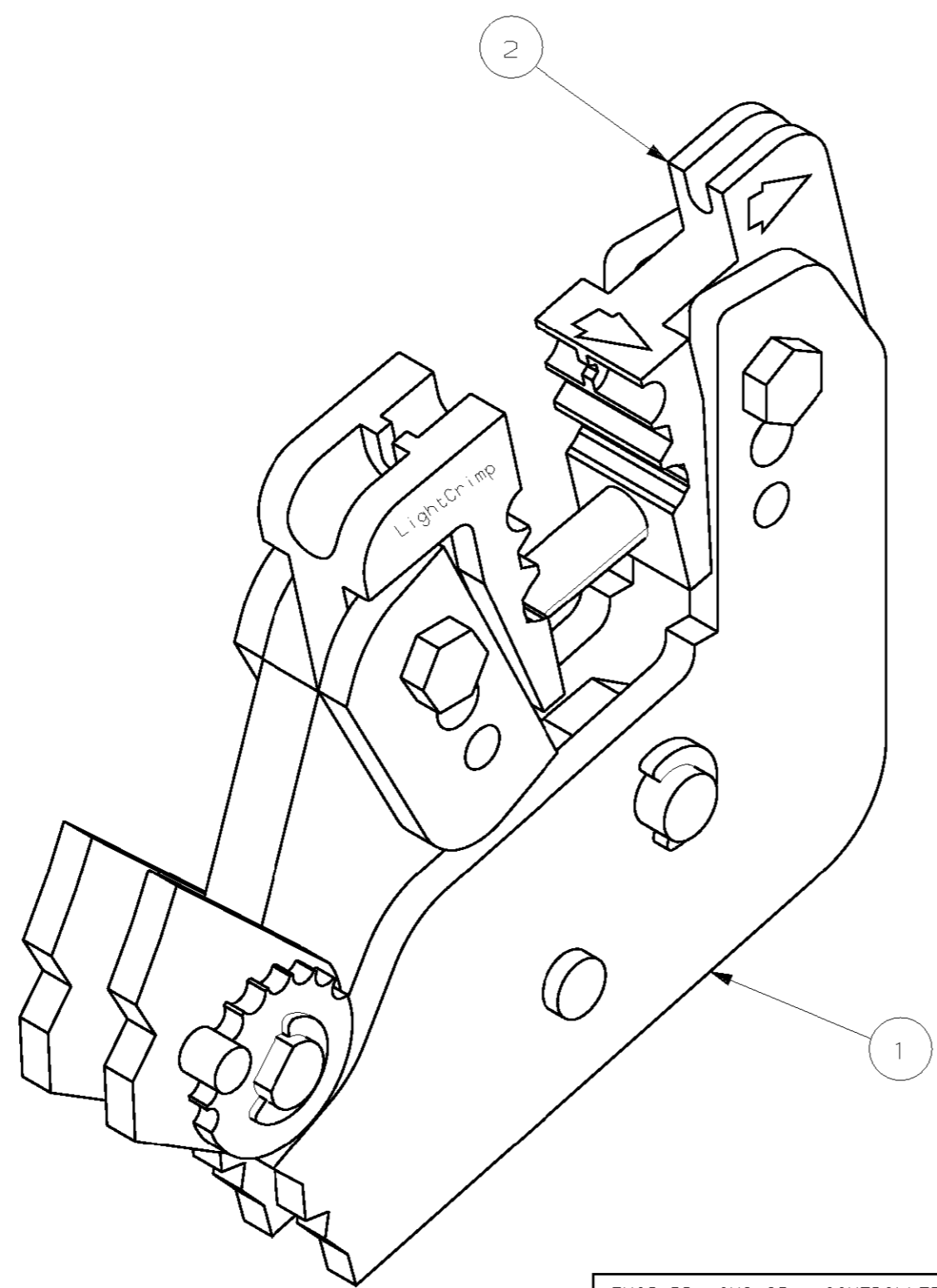
2

1

THIS DRAWING IS UNPUBLISHED. RELEASED FOR PUBLICATION ,19 .

© COPYRIGHT 19 BY AMP INCORPORATED. ALL RIGHTS RESERVED.

LOC		DIST		REVISIONS			
P	LTR	DESCRIPTION		DATE	DWN	APVD	
		0		RELEASED PER NPR 97-445	30AUG99	TG LS	



1	492622-1	DIESET	2
1	58532-2	HANDTOOL, PRO-CRIMPER, BLACK	1
-1	PART NO	DESCRIPTION	ITEM NO

THIS DRAWING IS A CONTROLLED DOCUMENT.

DIMENSIONS: INCHES	TOLERANCES UNLESS OTHERWISE SPECIFIED:
	0 PLC ±-
	1 PLC ±-
	2 PLC ±-
	3 PLC ±-
	4 PLC ±-
	ANGLES ±-
MATERIAL -	FINISH -

DWN T. GREEN 30AUG99	AMP Incorporated Harrisburg, PA 17105-3608
CHK L. SAUERWEIN 30AUG99	
APVD S. BUCHTER 30AUG99	
PRODUCT SPEC -	NAME PRO-CRIMPER HANDTOOL W/DIESET
APPLICATION SPEC -	SIZE A3
WEIGHT -	CAGE CODE 00779
CUSTOMER DRAWING	DRAWING NO C-492623
	RESTRICTED TO -

SCALE 2:1	SHEET 1 OF 1	REV 0
--------------	-----------------	----------