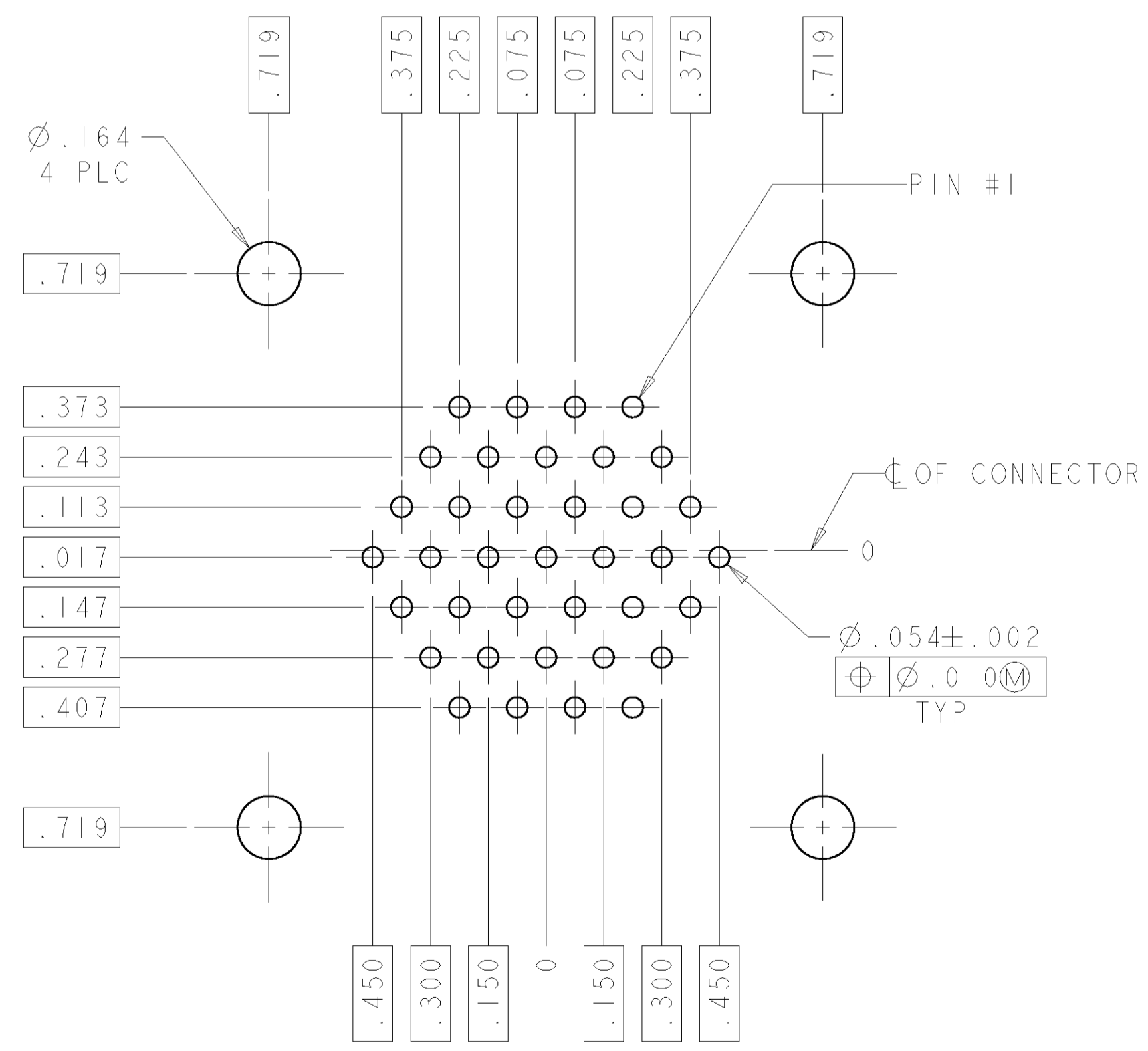
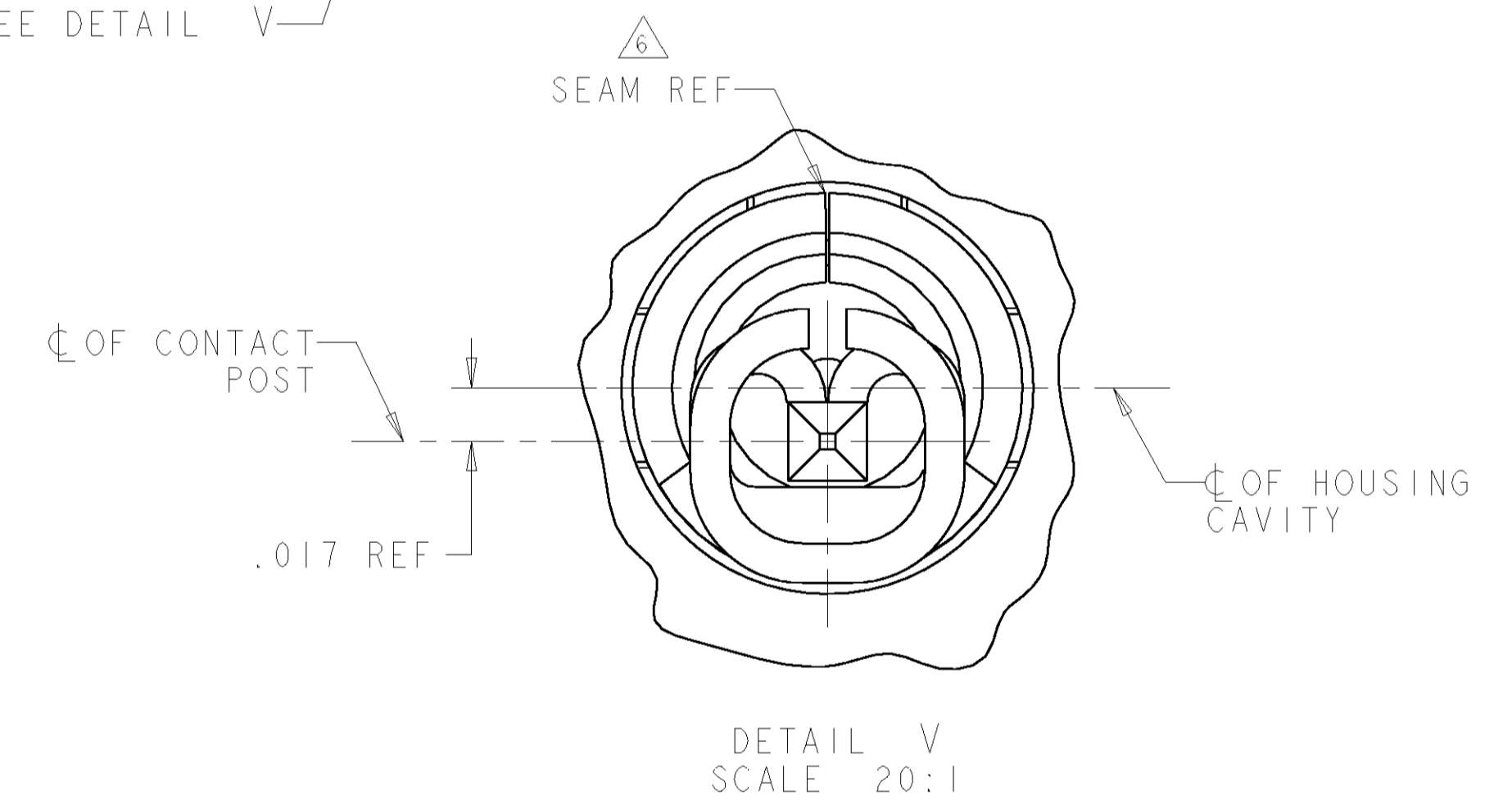
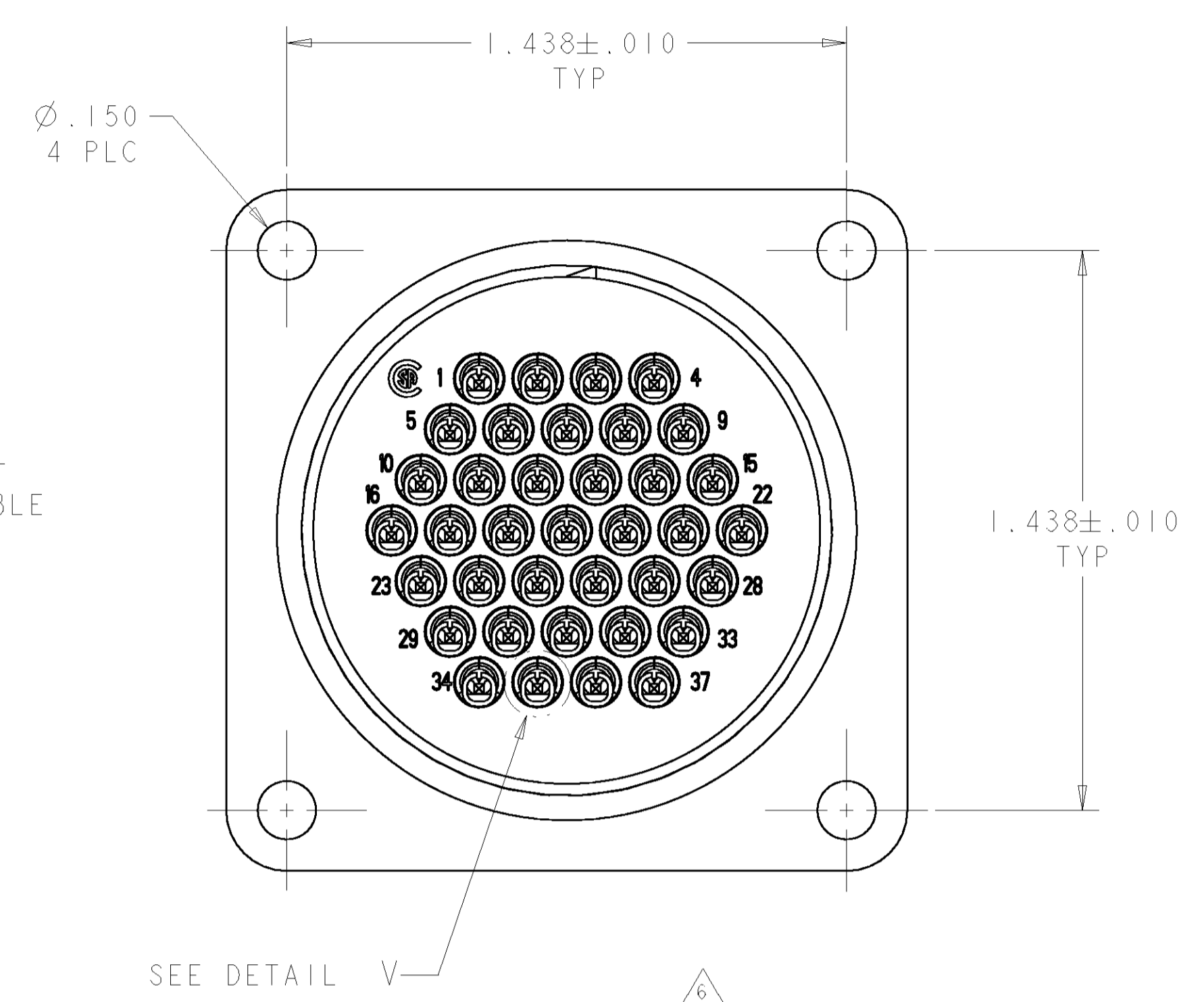
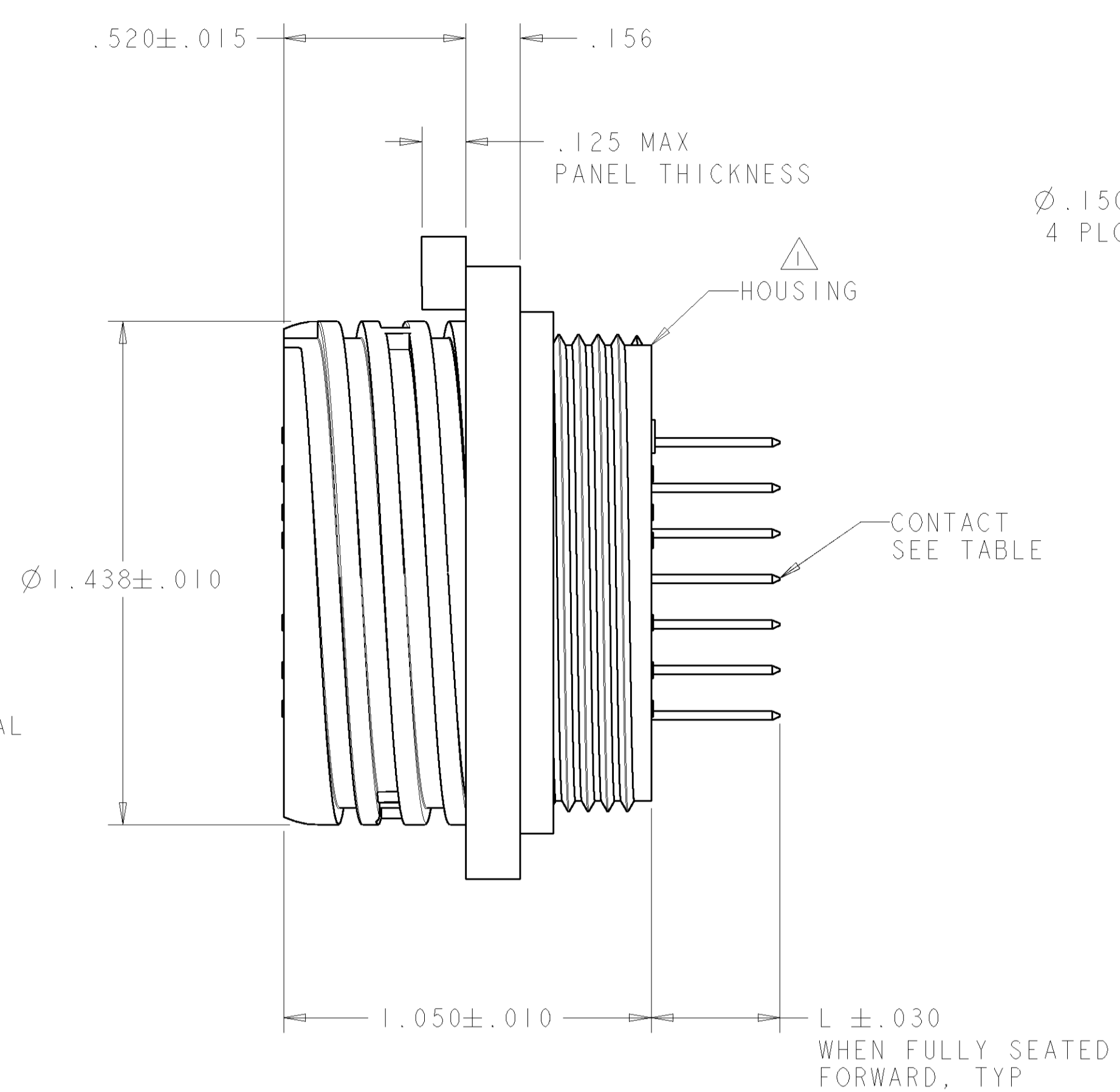
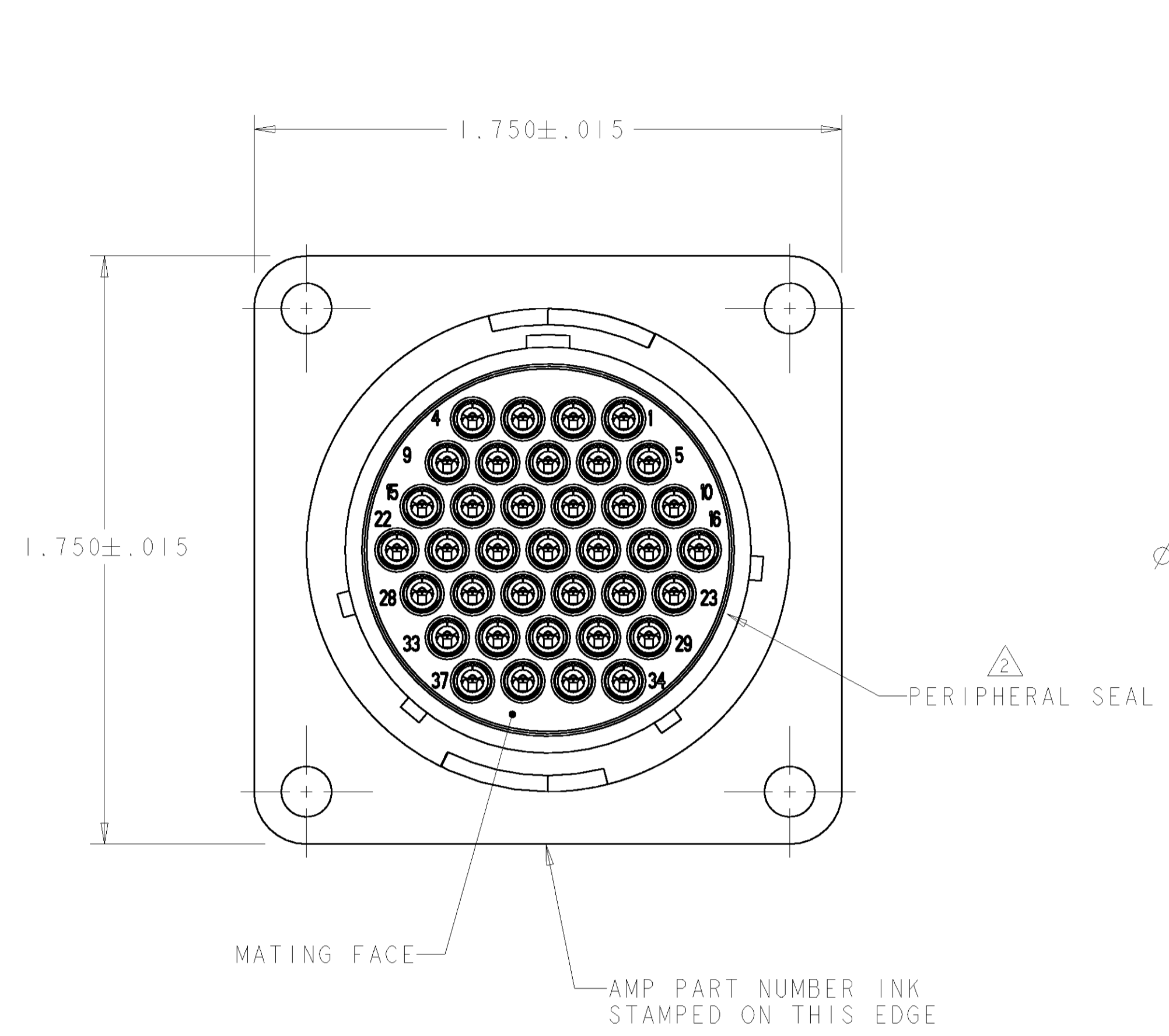


LOC	DIST	REV	DESCRIPTION	DATE	BY	APPD
FT	0					
U			REVISED EC 063B-0081-05	21FEB2005	SW	HW
V			REVISED EC 063B-0100-05	05MAY2005	SW	SH
W			ADDED 2-1, ECO-05-014038	17NOV2005	SW	SH
Y			ADDED 1--6, 1--8, 2--2 ECO-06-002610	15FEB2006	SW	SH



- △ HOUSING: THERMOPLASTIC, COLOR: BLACK.
- △ PERIPHERAL SEAL: ELASTOMER, COLOR: GRAY.
- △ CONTACT:
 BODY - BRASS, .000030 MIN GOLD FOR A LENGTH OF .200 MIN FROM MATING END, GOLD FLASH ON REMAINDER, BOTH OVER .000050 MIN NICKEL.
 POST - BRASS, .000100 MIN TIN-LEAD OVER .000100 MIN COPPER.
- △ CONTACT:
 BODY - BRASS, .000100 MIN TIN-LEAD OVER .000050 MIN NICKEL.
 POST - BRASS, .000100 MIN TIN-LEAD OVER .000100 MIN COPPER.
- △ CONTACT:
 BODY - BRASS, .000100 MIN TIN OVER .000050 MIN NICKEL.
 POST - BRASS, .000100 MIN TIN OVER .000050 MIN NICKEL.
- △ .009 MAXIMUM CONTACT LEAD-IN SEAM GAP PERMISSIBLE ON MATING FACE END.
- △ CONTACT:
 BODY - BRASS, .000030 MIN GOLD FOR A LENGTH OF .200 MIN FROM MATING END, GOLD FLASH ON REMAINDER, BOTH OVER .000050 MIN NICKEL.
 POST - BRASS, .000100 MIN TIN OVER .000100 MIN COPPER.
- △ CONTACT:
 BODY - BRASS, .000100 MIN TIN OVER .000050 MIN NICKEL.
 POST - BRASS, .000100 MIN TIN OVER .000100 MIN COPPER.

NO				
NO	.368	△7	ALL	2-208224-2
NO	.557	△7	ALL	2-208224-1
YES	.368	△8	1-10, 12-29, 31-37	1-208224-8
YES	.368	△8	1-10, 12-29, 31-37	1-208224-6
YES	.368	△5	1-22, 24-37	1-208224-5
NO	.368	△5	ALL	1-208224-3
YES	.368	△5	1-10, 12-29, 31-37	1-208224-2
YES	.368	△5	1-22, 24-37	1-208224-1
YES	.368	△4	1-10, 12-29, 31-37	1-208224-0
NO	.368	△3	ALL	208224-9
YES	.368	△4	1-22, 24-37	208224-5
YES	.368	△4	4,8,10,23,31,34 & 35	208224-4
YES	.368	△4	1-10, 12-29, 31-37	208224-3
NO	.368	△4	ALL	208224-2
NO	.557	△3	ALL	208224-1
PERIPHERAL SEAL	L	CONTACT FINISH	SELECT LOADED IN POSITIONS	PART NUMBER

RECOMMENDED PC BOARD LAYOUT

DIMENSIONS: INCHES		TOLERANCES UNLESS OTHERWISE SPECIFIED:		DWN S. WELDON 26FEB2003		EHS S. HEADER 26FEB2003		AMP Tyco Electronics Harrisburg, PA 17105-3608	
0 PLC ±.000		1 PLC ±.000		PRODUCT SPEC		NAME		RECEPTACLE ASSEMBLY, POSTED, REVERSE SEX, SERIES 1, 23-37, CPC	
2 PLC ±.000		3 PLC ±.000		APPLICATION SPEC		SIZE		CAGE CODE DRAWING NO RESTRICTED TO	
4 PLC ±.000		ANGLES ±.0000		WEIGHT		A1 00779 C=208224		SCALE 3:1 SHEET 1 OF 1 REV Y	
MATERIAL		FINISH		CUSTOMER DRAWING		SCALE		SHEET 1 OF 1 REV Y	