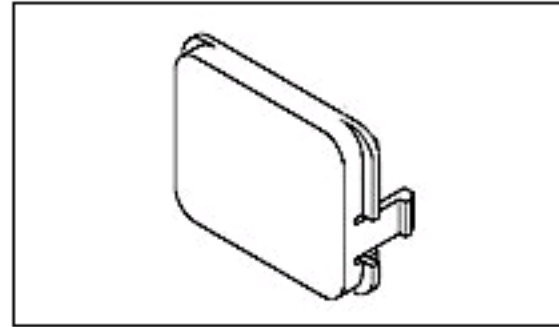




1-555644-1 Product Details

Share Print Email



1-555644-1

TE Internal Number: 1-555644-1
 Active

Work Area Outlets

Always EU RoHS/ELV Compliant (Statement of Compliance)

Product Highlights:

- Region = Asia, EMEA, Latin America, Australia/New Zealand, North America
- Insert
- ACO Series, ACO Ultra Series
- System = AMP CO
- Style = Blank

[View all Features](#)

Quick Links

- ▶ [Pricing & Availability](#)
- ▶ [Search for Tooling](#)
- ▶ [Product Feature Selector](#)
- ▶ [Contact Us About This Product](#)

[Add to My Part List](#) [Request Sample](#) [Find Similar Products](#) [Buy Product](#)

Feedback

Documentation & Additional Information

Product Drawings:

- [INSERT BLANK, AMP COMMUNICATION OUTLET \(PDF, English\)](#)

Catalog Pages/Data Sheets:

- [Work Area Outlets \(PDF, English\)](#)

Product Specifications:

- None Available

Application Specifications:

- None Available

Instruction Sheets:

- None Available

CAD Files:

- None Available

Related Products:

- [Tooling](#)

[List all Documents](#)

Product Features (Please use the Product Drawing for all design activity)

Product Type Features:

- Product Type = Insert
- System = AMP CO
- Style = Blank
- Grade = Commercial
- Color = Electrical Ivory

Body Features:

- Mount Type = ACO Installation Kits

Configuration Features:

- Number of Ports = 1
- Configuration = Blank

Industry Standards:

- [RoHS/ELV Compliance](#) = RoHS compliant, ELV compliant
- [Lead Free Solder Processes](#) = Not relevant for lead free process
- [RoHS/ELV Compliance History](#) = Always was RoHS compliant

Operation/Application:

- Industry Application = NETCONNECT

Product Availability:

- Region = Asia, EMEA, Latin America, North America, Australia/New Zealand

Other:

- Series = ACO, ACO Ultra
- Industry = Enterprise Network Solutions
- Brand = AMP

Corporate Information

- [About TE](#)
- [Investors](#)
- [News Room](#)
- [Supplier Portal](#)
- [Careers](#)
- [Terms & Conditions](#)
- [Privacy Policy](#)
- [AODA Accessibility Policy](#)
- [AODA Multi-Year Accessibility Plan](#)

Quick Links

- [Distributor Inventory](#)
- [Product Cross Reference](#)
- [Documents & Drawings](#)
- [Product Compliance Support Center](#)
- [Site Map](#)

Customer Support

- [Email or Chat With Us](#)
- [Find a Phone Number](#)
- [Knowledge Base](#)
- [Manage Your Account](#)

Keep Me Informed

