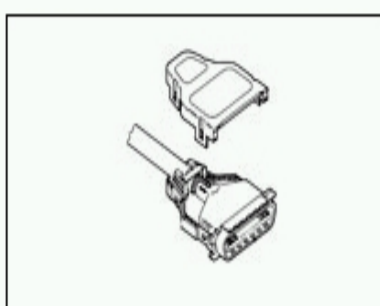


554954-2 Product Details

Have a Question?

Chat with a Product Information Specialist



554954-2

TE Internal Number: 554954-2

Active

[View 3D PDF](#)

2.16 [.085] IDC Connectors

[Always EU RoHS/ELV Compliant \(Statement of Compliance\)](#)

Product Highlights:

- Connector Classification = IDC
- Product Category = Connectors
- Kit
- Kit Type = Connector Kit
- 50 Positions

[View all Features](#)

Quick Links

- ▶ [Check Pricing & Availability](#)
- ▶ [Search for Tooling](#)
- ▶ [Product Feature Selector](#)
- ▶ [Contact Us About This Product](#)

[Add to My Part List](#) [Request Sample](#) [Find Similar Products](#) [Buy Product](#)

Documentation & Additional Information

Product Drawings:

- [PLUG KIT, 50 POSITION, SCREW LOCK, WITH 4-40 HOLES, ...](#) (PDF, English)

Catalog Pages/Data Sheets:

- None Available

Product Specifications:

- None Available

Application Specifications:

- [CHAMP Cable Connectors \(Standard And Shielded\)](#) (PDF, English)

Instruction Sheets:

- [AMP* SHIELDED CHAMP* 180 DEG CONNECTOR KITS AND COVE...](#) (PDF, English)

CAD Files: ([CAD Format & Compression Information](#))

- [2D Drawing](#) (DXF, Version G)
- [3D Model](#) (IGES, Version G)
- [3D Model](#) (STEP, Version G)

Additional Information:

- [Product Line Information](#)

Related Products:

- [Tooling](#)

[List all Documents](#)

Product Features (Please use the Product Drawing for all design activity)

Product Type Features:

- Connector Classification = IDC
- Product Category = Connectors
- [Product Type](#) = Kit
- Kit Type = Connector Kit
- [Gender](#) = Plug
- [Mating Connector Lock](#) = With
- Mating Connector Lock Type = Screwlocks
- [Slot Type Letter Code](#) = B
- [Wire/Cable Type](#) = 7 Strand, Solid
- Protective Cover = Without
- Profile = Standard
- Shield Material = Carbon Steel
- Color = Black

Mechanical Attachment:

- [Panel Attachment](#) = Without

Electrical Characteristics:

- [Shielded](#) = Yes

Body Related Features:

- [Number of Positions](#) = 50
- [Wire Range \(Solid\) \(mm \[AWG\]\)](#) = 0.51-0.40 [24-26]
- [Wire Range \(Stranded\) \(mm² \[AWG\]\)](#) = 0.20² [24]
- [Cable Exit Angle](#) = 180°
- Shield Plating = Bright Nickel
- Cable Outer Diameter (mm [in]) = 8.89 - 15.88 [0.350 - 0.625]

Contact Related Features:

- Contact Plating, Mating Area, Material = Gold (30), Gold Flash over Palladium Nickel
- Contact Base Material = Copper Alloy

Housing Related Features:

- Housing Material = Thermoplastic - GF

Industry Standards:

- [RoHS/ELV Compliance](#) = RoHS compliant, ELV compliant
- [Lead Free Solder Processes](#) = Not relevant for lead free process
- RoHS/ELV Compliance History = Always was RoHS compliant

Packaging Related Features:

- [Packaging Method](#) = Individual Kit

Other:

- Brand = AMP

BOOKMARK

Corporate Information

- [Who We Are](#)
- [Investors](#)
- [News Room](#)
- [Supplier Portal](#)
- [Careers](#)

Quick Links

- [Check Distributor Inventory](#)
- [Cross Reference](#)
- [Find Documents & Drawings](#)
- [Product Compliance Support Center](#)
- [Site Map](#)

Customer Support

- [Email or Chat with Us](#)
- [Find a Phone Number](#)
- [Search Knowledge Base](#)
- [Manage Your Account](#)

Sign up for our eNewsletter

Enter your email address

Follow Us On:



Visit Us On:

