

Introduction



GET.64 Interconnection System

The GET.64 Interconnection System is used worldwide in various applications for automotive interconnections. It fulfills requirements for passenger and engine compartment.

High packaging density is possible for sealed applications due to mat seal capability.

Technical Features

- Product offering includes wire-to-wire, wire-to-board and wire-to-device configurations
- High range of pin count variants
- Tangle free contact offered as tin, silver and gold plating
- Female terminal accepts blades from 0.64 x 0.64 mm up to 1.2 x 0.64 mm
- Sealed and unsealed connector housings available (straight mate or lever actuated)
- Mat seals allow high packaging density
- Design allows for specific pinout versions, no blind plugs necessary in sealed applications

SUPERSEDED
NOT the LATEST
REVISION

Engineering Notes



Introduction


Features

- CPA capability
 - Assures connector mating
- USCAR & SDS compatibility
 - Standard interface for multiple applications
- 2.54 mm x 2.54 mm spacing
 - Typically smaller than competition
- 8 keying options
 - Maximum design flexibility
- Tang-free contact
 - Easier harness handling/production
- Good Stress Relaxation performance (70 % remaining after 3000 hr @ 150 °C)
 - Used in USCAR Class III range (-40 °C to +125 °C)

- 0.22 to 0.75 mm² wire range
 - Two terminal sizes cover 3–8 amp requirements (20 °C T-rise)
- 10 mating cycles (tin, silver or gold)
 - Robust receptacle to handle multiple mates
- Accepts up to 1.0 mm wide blade
 - Large interface flexibility and robustness
- Same shorting bar design for sealed, unsealed, gold and tin systems
 - Economical shorting bar solution

Applications

- Airbag Restraint Modules
- Power Control Modules
- Generic Control Modules
- Unsealed Harness Wiring
 - Inline Connections
 - Instrument Panel
 - Audio
 - Mirror
 - Switches
 - Actuators
 - Overhead Consoles
- Sealed Harness Wiring
 - Mass Air Flow
 - Passenger Sensing

Product Offering

- Tin, Silver and Gold Platings
- Wire-to-Wire
- Wire-to-PC Board
- Wire-to-Device
- Unsealed and Sealed
- Hand Mate and Lever Actuated

Receptacle Contacts

Technical Features

Insertion Force:

- Tin Terminals: <4.0 N
- Silver Terminals: <3.5 N
- Gold Terminals: <2.0 N

Terminal Retention Force:

- >30 N (Preliminary)
- >75 N (Permanent)

Temperature Classification (according to USCAR):

- Tin Terminals Class II:
-40 °C to +120 °C max.
up to +125 °C max.
- Silver and Gold Terminals Class III:
-40 °C to +145 °C max.

Vibration (per USCAR):

- Unsealed Applications:
Body and Instrument Panel Profile
- Sealed Applications:
Engine Compartment Profile

Dielectric Strength:

1,000 V AC min.

Voltage Drop (Initial Interface):

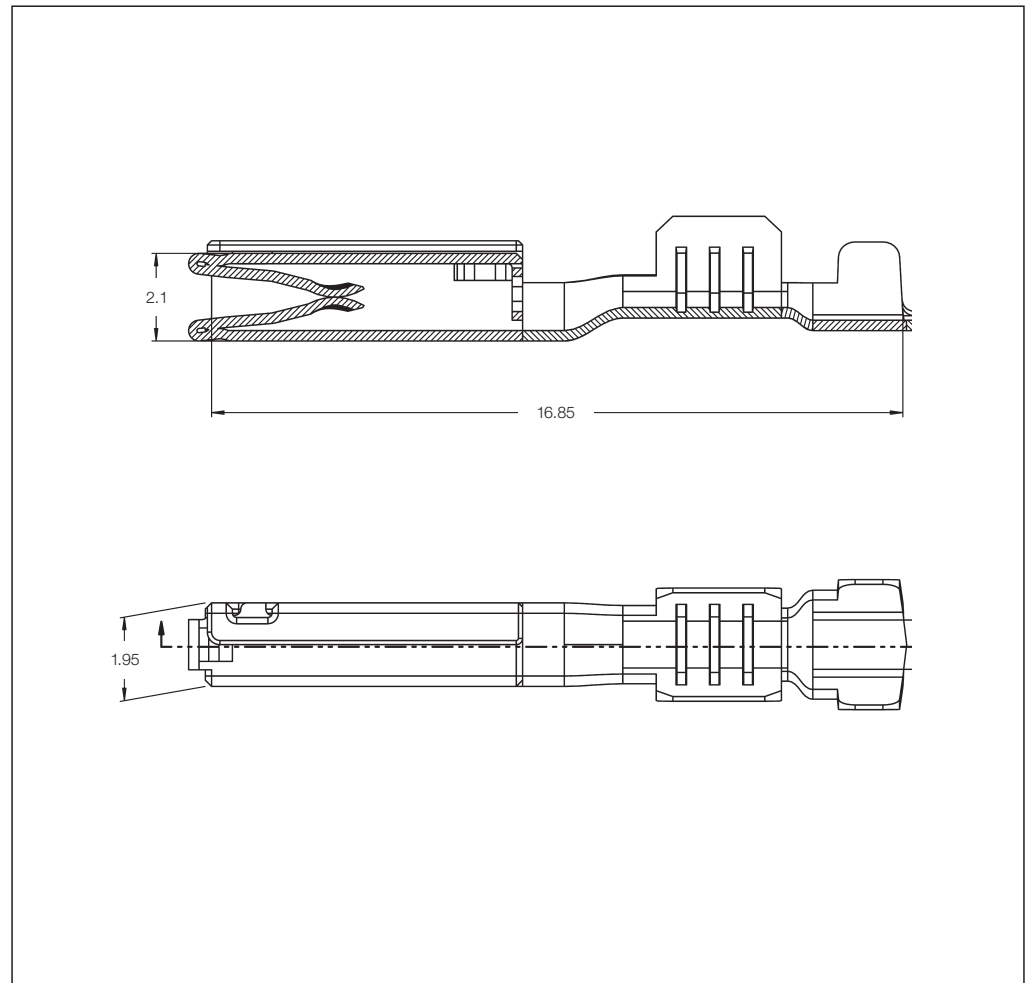
1.0 mV/A max.

Isolation Resistance:

20 MW @ 500 DC 500 V min.

Extraction Tool:

Part No. **3-1579007-6**



Receptacle Contacts

Wire Size Range (mm ²)	Insulation Diameter (mm)	Material and Finish	Part Numbers					
			Strip Form	Packaging Unit	Loose-Piece	Packaging Unit	Applicator	Hand Tool
0.22–0.35	1.10–1.65	Gold plated	1393364-1	10,000				
		Gold shunted	1393364-2	10,000	-	-	x-1528005-x	6-1393462-4
		Tin plated	1393367-1	10,000				
		Silver plated	1393367-2	10,000				
0.50–0.75	1.40–2.06	Gold plated	1393365-1	10,000				
		Gold shunted	1393365-2	10,000	-	-	x-1528268-x	6-1393462-5
		Tin plated	1393366-1	10,000				
		Silver plated	1393366-2	10,000				

Note: All Part Numbers are RoHS and ELV compliant.

Pin Contacts

Technical Features

Pin Bend Strength:

>6 N
(Held at box, force applied at tip)

Terminal Retention Force:

>30 N (Preliminary)
>75 N (Permanent)

Temperature Classification (according to USCAR)

- Tin Terminals Class II:
-40 °C to +120 °C max.
up to +125 °C max.
- Gold Terminals Class III:
-40 °C to +145 °C max.

Vibration (per USCAR)

Unsealed Applications:
Body and Instrument Panel Profile

Dielectric Strength:

1,000 V AC min.

Voltage Drop (Initial Interface):

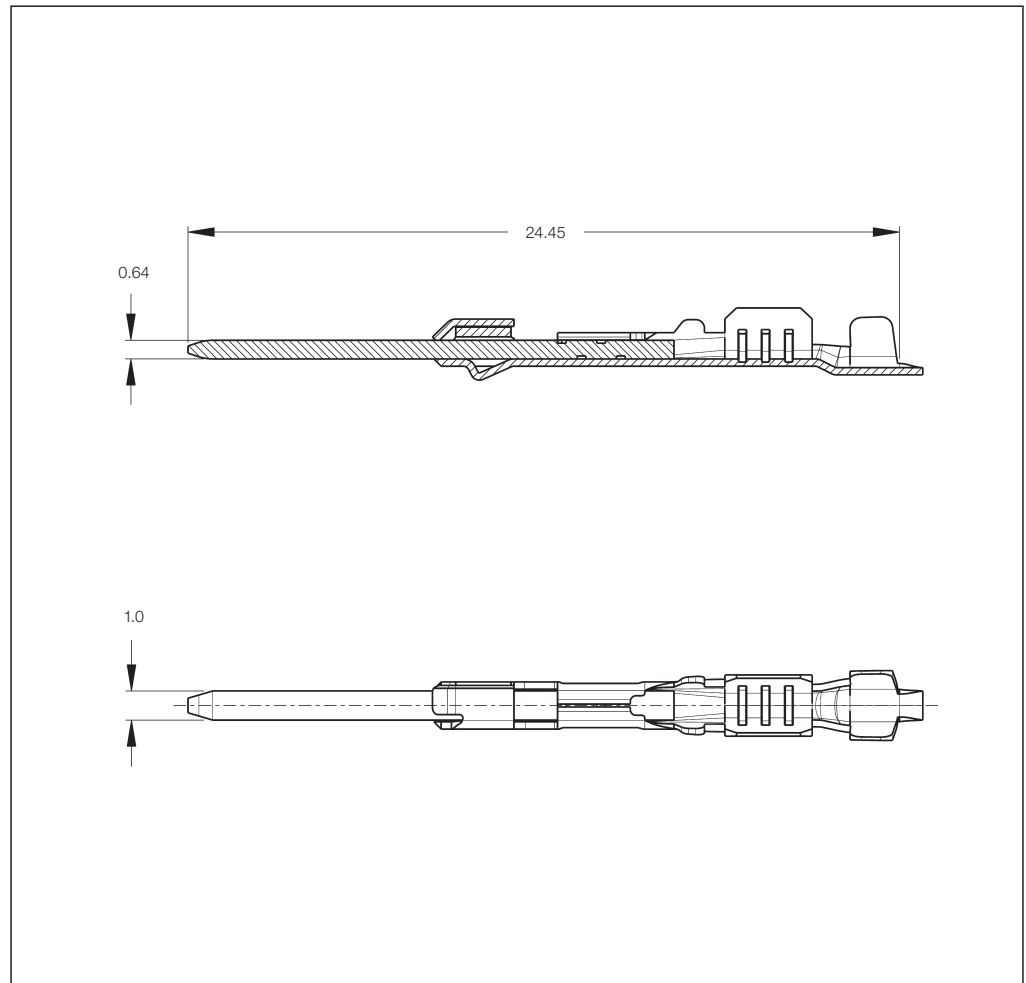
1.0 mV/A max.

Isolation Resistance:

20 MW @ 500 DC 500 V min.

Extraction Tool:

Part No. **3-1579007-6**



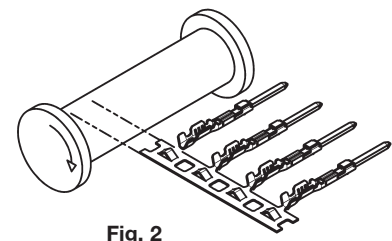
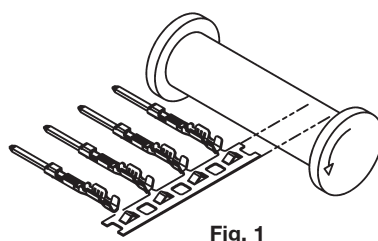
Pin Contacts

Wire Size Range (mm ²)	Insulation Diameter (mm)	Material and Finish	Part Numbers				Applicator	Hand Tool
			Strip Form	Packaging Unit	Loose-Piece	Packaging Unit		
0.22–0.35	1.10–1.65	Gold plated	3-1419158-1 ^①	10,000	–	–	N/A	6-1393462-4
		Tin plated	1-1419158-6 ^①	10,000	–	–		
		Gold plated	1438299-1 ^②	10,000	–	–	x-1528005-x	
		Tin plated	1438299-2 ^②	10,000	–	–		
0.50–0.75	1.40–2.06	Gold plated	2-1419158-3 ^①	10,000	–	–	N/A	6-1393462-5
		Tin plated	2-1419158-5 ^①	10,000	–	–		
		Gold plated	1438299-3 ^②	10,000	–	–	x-1528268-x	
		Tin plated	1438299-4 ^②	10,000	–	–		

Note: All Part Numbers are RoHS and ELV compliant.

① Standard Reeling Direction (Fig. 1)

② Optional Reeling Direction (Fig. 2)



Receptacle Contacts

Technical Features

Insertion Force:

– Tin Terminals: <4.0 N

Terminal Retention Force:

>30 N (Preliminary)

>75 N (Permanent)

Temperature Classification (according to USCAR):

– Tin Terminals Class II:
 –40 °C to +120 °C max.
 up to +125 °C max.

Vibration (per USCAR):

– Unsealed Applications:
 Body and Instrument Panel
 Profile
 – Sealed Applications:
 Engine Compartment Profile

Dielectric Strength:

1,000 V AC min.

Voltage Drop (Initial Interface):

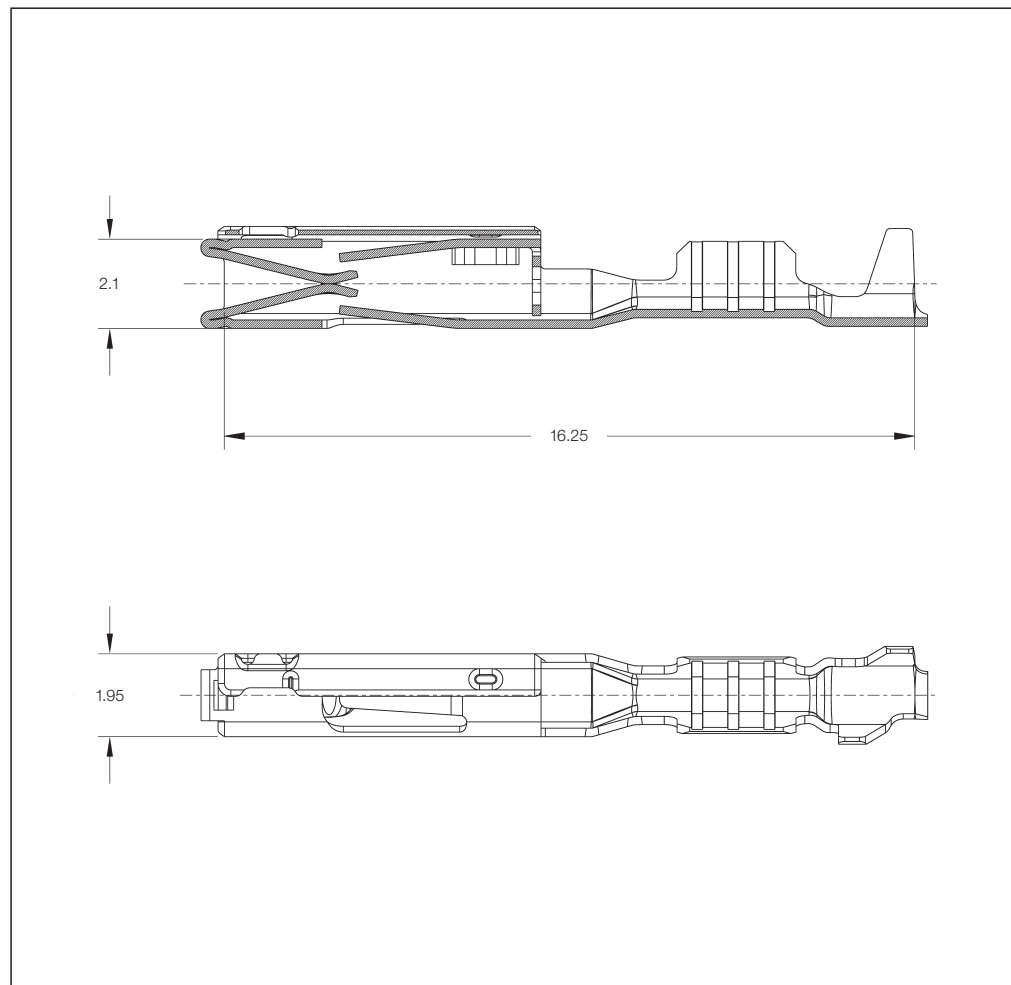
1.0 mV/A max.

Isolation Resistance:

20 MW @ 500 DC 500 V min.

Extraction Tool:

Part No. **3-1579007-6**



Receptacle Contacts

Wire Size Range (mm ²)	Insulation Diameter (mm)	Material and Finish	Part Numbers					
			Strip Form	Packaging Unit	Loose-Piece	Packaging Unit	Applicator	Hand Tool
0.13	0.80–1.05	Tin plated	1564880-1	10,000			1157164-6	
0.22–0.35	1.10–1.65	Tin plated	1719957-1	10,000	–	–	1528698-6	–
0.50–0.75	1.40–2.06	Tin plated	1719958-1	10,000	–	–	1528699-6	

Note: All Part Numbers are RoHS and ELV compliant.

Introduction


Features

- CPA capability
 - Assures connector mating
- USCAR & SDS compatibility
 - Standard interface for multiple applications
- 2.54 mm x 2.54 mm spacing
 - Typically smaller than competition
- 8 keying options
 - Maximum design flexibility
- Tang-free contact
 - Easier harness handling/production
- Good Stress Relaxation performance (70 % remaining after 3000 hr @ 150 °C)
 - Used in USCAR Class III range (-40 °C to +125 °C)

- 0.22 to 0.75 mm² wire range
 - Two terminal sizes cover 3–8 amp requirements (20 °C T-rise)
- 10 mating cycles (tin, silver or gold)
 - Robust receptacle to handle multiple mates
- Accepts up to 1.0 mm wide blade
 - Large interface flexibility and robustness
- Same shorting bar design for sealed, unsealed, gold and tin systems
 - Economical shorting bar solution

Applications

- Airbag Restraint Modules
- Power Control Modules
- Generic Control Modules
- Unsealed Harness Wiring
 - Inline Connections
 - Instrument Panel
 - Audio
 - Mirror
 - Switches
 - Actuators
 - Overhead Consoles
- Sealed Harness Wiring
 - Mass Air Flow
 - Passenger Sensing

Product Offering

- Tin, Silver and Gold Platings
- Wire-to-Wire
- Wire-to-PC Board
- Wire-to-Device
- Unsealed and Sealed
- Hand Mate and Lever Actuated

Unsealed Receptacle Housings 1-Row

Technical Features

No. of Positions:

2 (1 x 2) Positions Assy

Housing Material:

PA66 GF35

Wire Size Range:

0.22–0.75 mm²

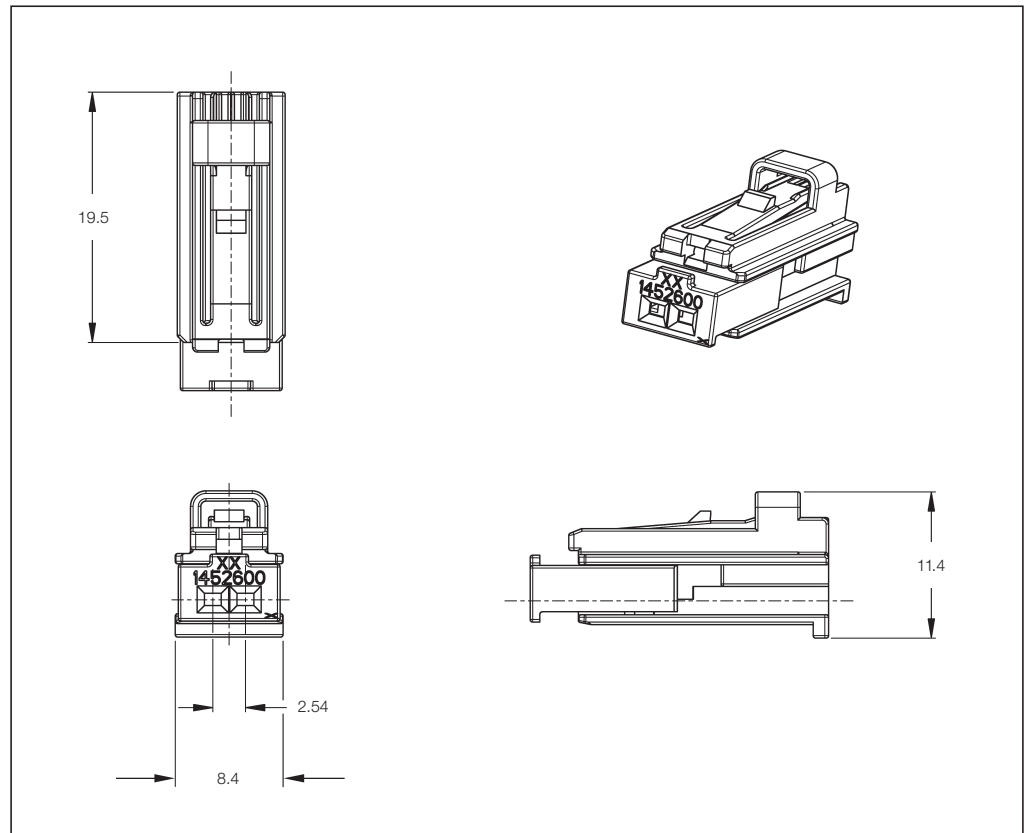
Product Specification:

114-13060

Application Specifications:

408-8955

408-8600



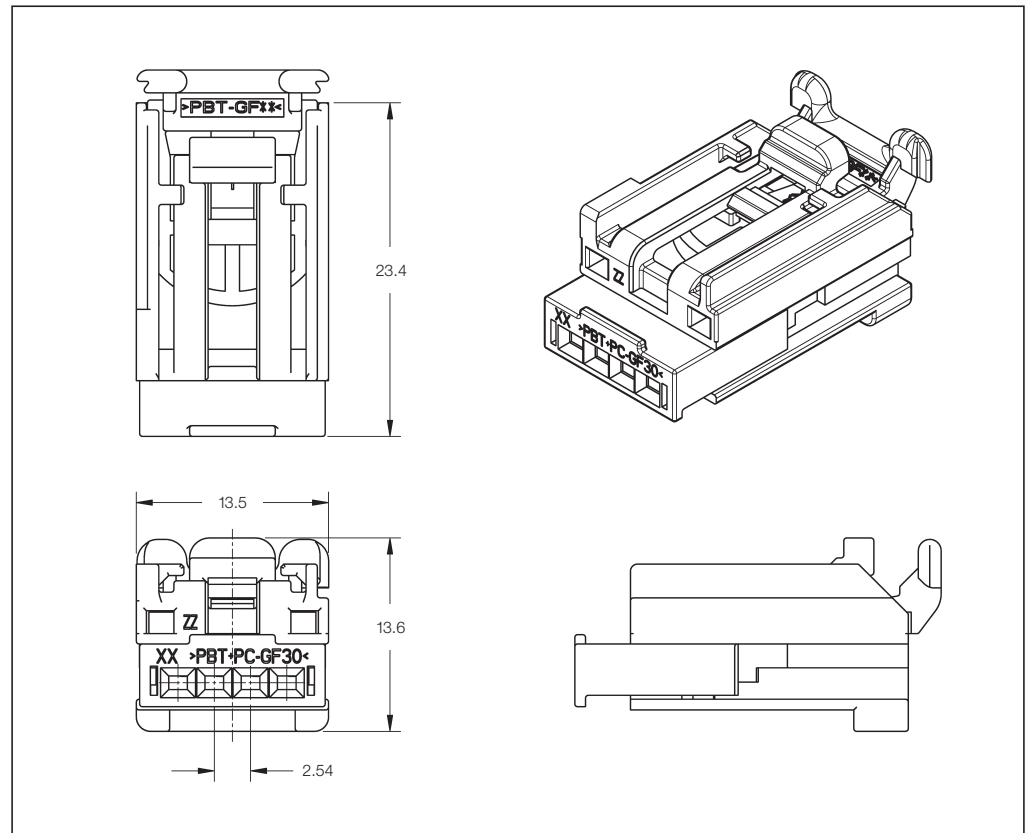
Unsealed Receptacle Housings 1-Row

No. of Positions	Keying Options	Housing Color	Part Numbers						
			Receptacle Housing	Cover	Locking Device	Cover and Lever	Mating Pin Housing	Mating PCB Header Right-Angle	Mating PCB Header Vertical
2 (1 x 2)	A	Black	1452598-1	–	–	–	1452601-1	1452625-1	1452623-1

Unsealed Receptacle Housings 1-Row

Technical Features

- No. of Positions:**
4 (1 x 4) Positions Assy
- Housing Material:**
PA66 GF35
- Wire Size Range:**
0.22–0.75 mm²
- Product Specification:**
114-13060
- Application Specifications:**
408-8955
408-8600



Unsealed Receptacle Housings 1-Row with CPA

No. of Positions	Keying Options	Housing Color	Part Numbers						
			Receptacle Housing	Cover	Locking Device	Cover and Lever	Mating Pin Housing	Mating PCB Header Right-Angle	Mating PCB Header Vertical
4 (1 x 4)	A	Black	6-1419169-8	–	–	–	6-1419166-1	–	–
	B	Black	6-1419169-9	–	–	–	6-1419166-2	–	–
	C	Black	6-1419169-2	–	–	–	9-1419157-4	–	–
	D	Black	6-1419169-3	–	–	–	5-1419166-6	–	–

Unsealed Receptacle Housings 1-Row without CPA

No. of Positions	Keying Options	Housing Color	Part Numbers						
			Receptacle Housing	Cover	Locking Device	Cover and Lever	Mating Pin Housing	Mating PCB Header Right-Angle	Mating PCB Header Vertical
4 (1 x 4)	A	Black	3-1419158-2	–	–	–	6-1419166-1	–	–
	B	Black	5-1419169-2	–	–	–	6-1419166-2	–	–
	C	Black	4-1419169-6	–	–	–	9-1419157-4	–	–
	D	Black	4-1419169-7	–	–	–	5-1419166-6	–	–

Unsealed Low Profile Latch 1-Row

Technical Features

No. of Positions:

4 (1 x 4) Positions Assy

Housing Material:

PA66 GF35

Wire Size Range:

0.22–0.75 mm²

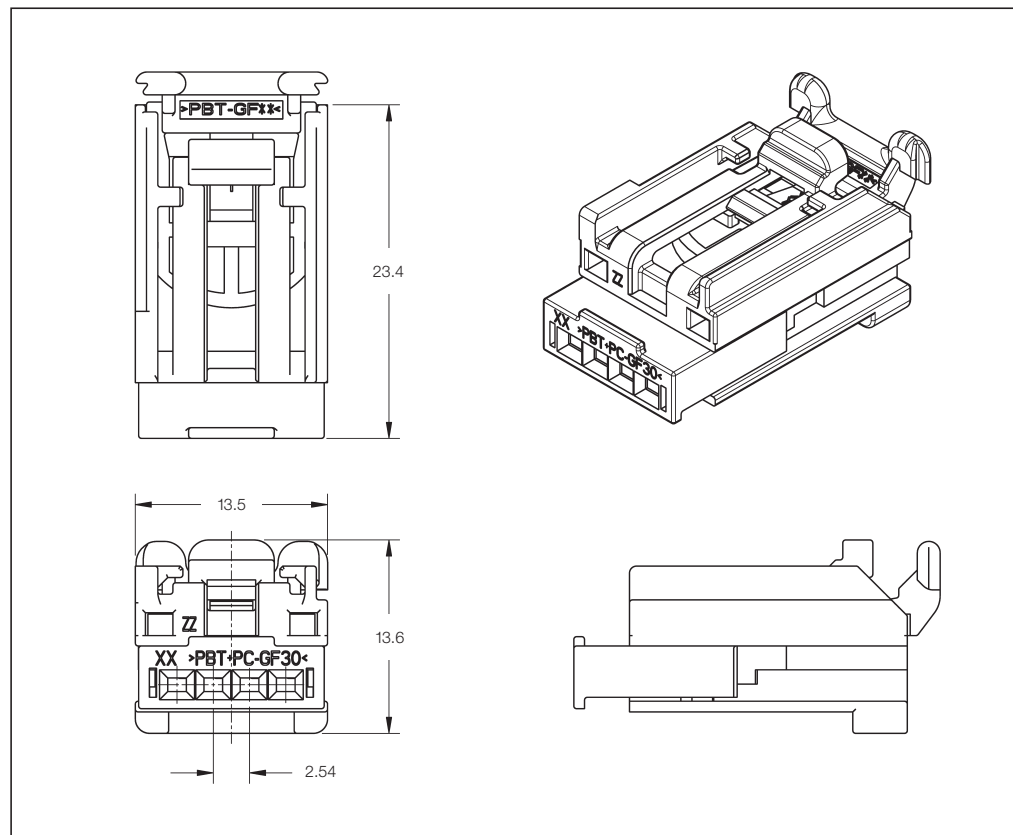
Product Specification:

114-13060

Application Specifications:

408-8955

408-8600



Unsealed Low Profile Latch 1-Row with CPA

No. of Positions	Keying Options	Housing Color	Part Numbers						
			Receptacle Housing	Cover	Locking Device	Cover and Lever	Mating Pin Housing	Mating PCB Header Right-Angle	Mating PCB Header Vertical
4 (1 x 4)	A	Black	1456983-2	–	–	–	6-1419166-1	–	–
	B	Black	1456983-4	–	–	–	6-1419166-2	–	–
	C	Black	1456983-6	–	–	–	9-1419157-4	–	–
	D	Black	1456983-8	–	–	–	5-1419166-6	–	–

Unsealed Low Profile Latch 1-Row without CPA

No. of Positions	Keying Options	Housing Color	Part Numbers						
			Receptacle Housing	Cover	Locking Device	Cover and Lever	Mating Pin Housing	Mating PCB Header Right-Angle	Mating PCB Header Vertical
4 (1 x 4)	A	Black	1456983-1	–	–	–	6-1419166-1	–	–
	B	Black	1456983-3	–	–	–	6-1419166-2	–	–
	C	Black	1456983-5	–	–	–	9-1419157-4	–	–
	D	Black	1456983-7	–	–	–	5-1419166-6	–	–

Unsealed Receptacle Housings 1-Row

Technical Features

No. of Positions:

4 (1 x 4) Positions Assy
Side Latch

Housing Material:

PA66 GF35

Wire Size Range:

0.22–0.75 mm²

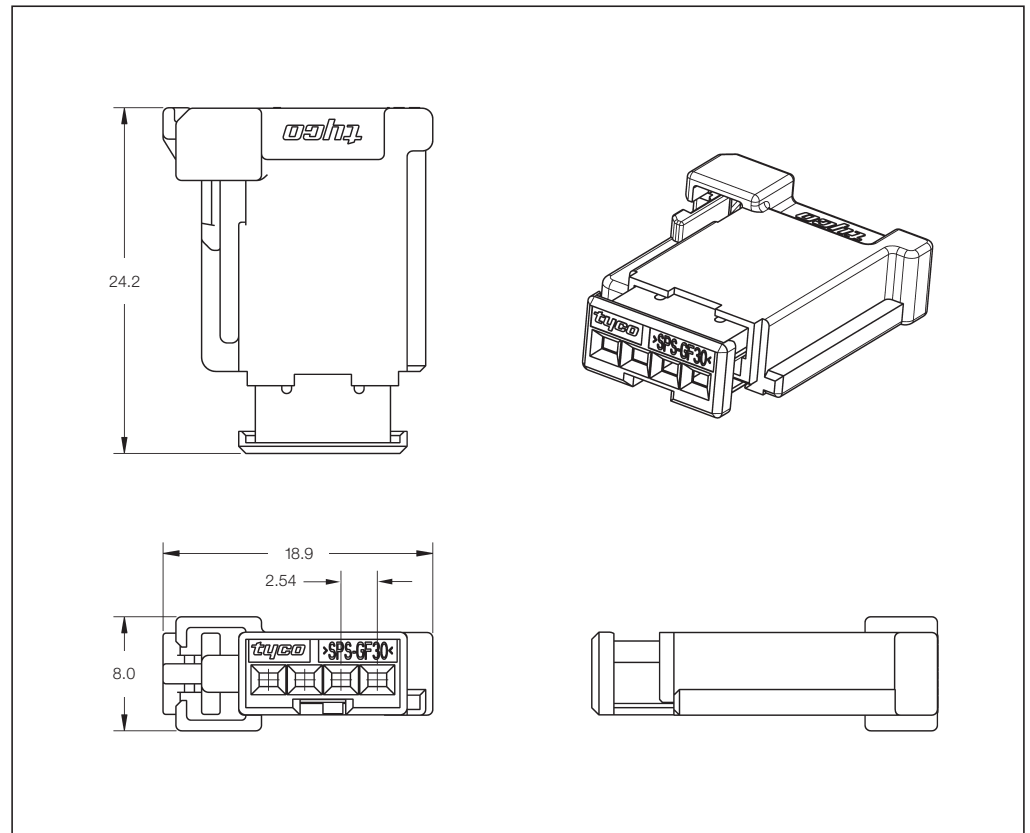
Product Specification:

114-13060

Application Specifications:

408-8955

408-8600



Unsealed Receptacle Housings 1-Row

No. of Positions	Keying Options	Housing Color	Part Numbers						
			Receptacle Housing	Cover	Locking Device	Cover and Lever	Mating Pin Housing	Mating PCB Header Right-Angle	Mating PCB Header Vertical
4 (1 x 4)	A	Black	1438122-1	–	–	–	6-1419166-1	–	–

Unsealed Receptacle Housings 1-Row

Technical Features

No. of Positions:

6 (1 x 6) Positions Assy

Housing Material:

PA66 GF35

Wire Size Range:

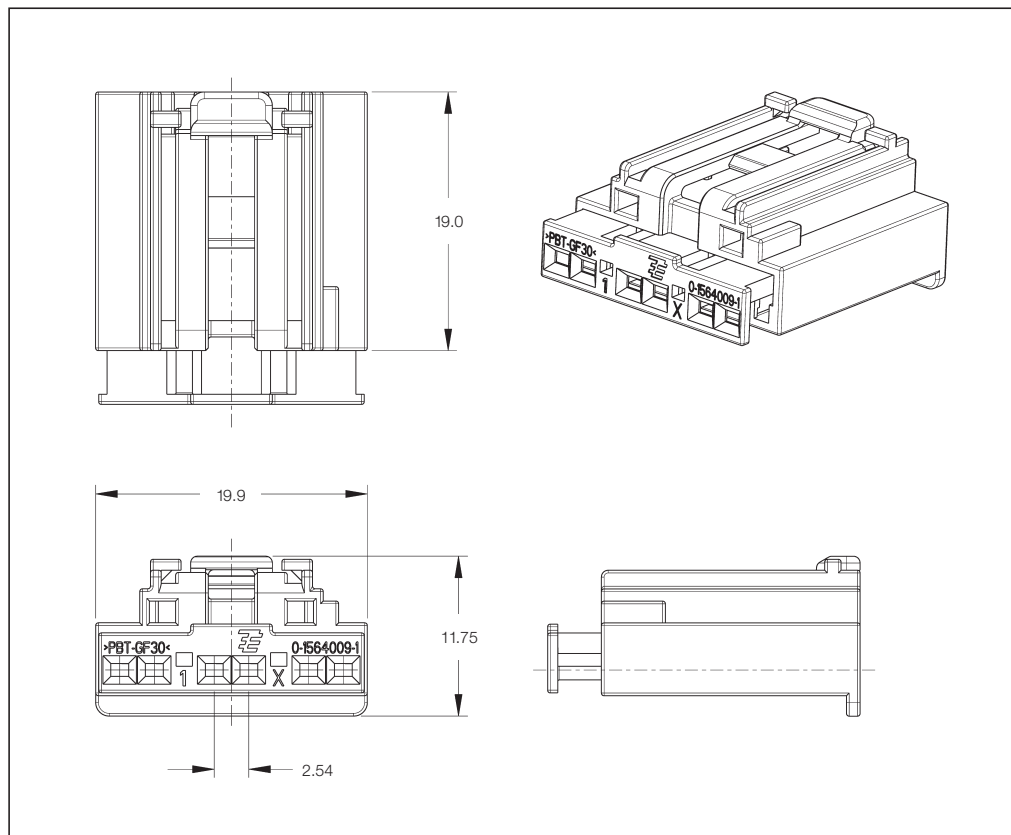
0.22–0.75 mm²

Product Specification:

114-13060

Application Specification:

—



Unsealed Receptacle Housings 1-Row without CPA

No. of Positions	Keying Options	Housing Color	Part Numbers						
			Receptacle Housing	Cover	Locking Device	Cover and Lever	Mating Pin Housing	Mating PCB Header Right-Angle	Mating PCB Header Vertical
6 (1 x 6)	–	Yellow	1564003-1	–	–	–	1564004-1	–	–

Unsealed Receptacle Housings 1-Row

Technical Features

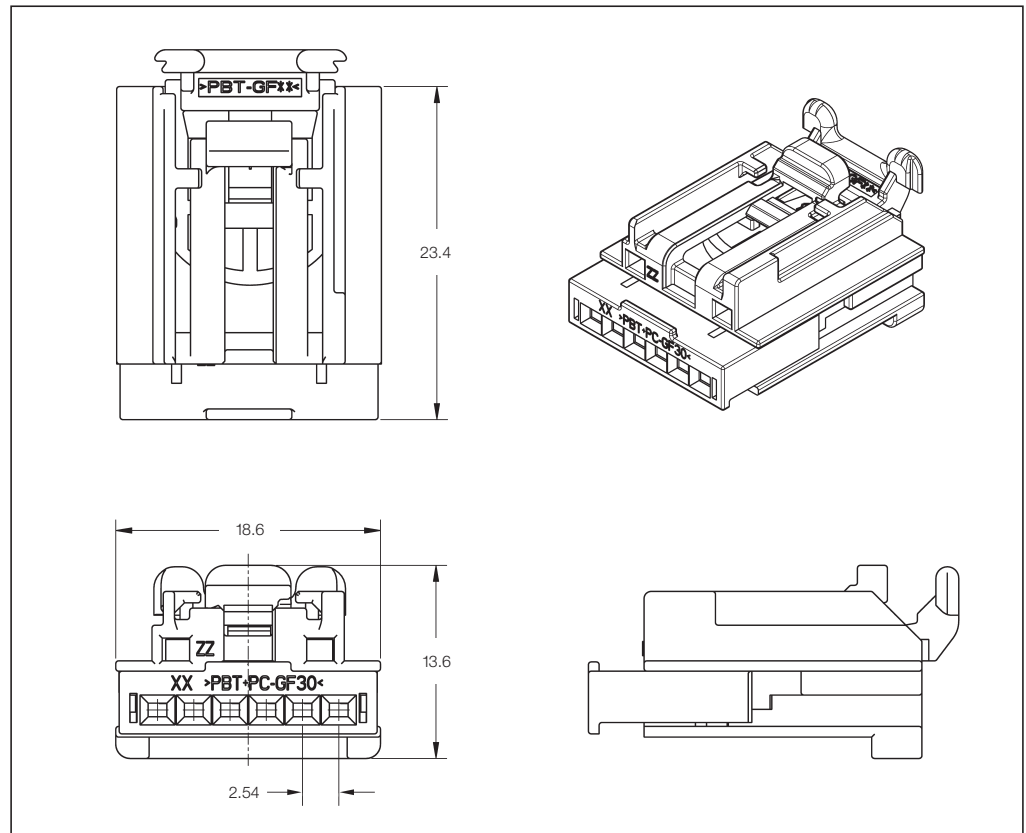
No. of Positions:
6 (1 x 6) Positions Assy

Housing Material:
PA66 GF35

Wire Size Range:
0.22–0.75 mm²

Product Specification:
114-13060

Application Specification:
408-8955



Unsealed Receptacle Housings 1-Row with CPA

No. of Positions	Keying Options	Housing Color	Part Numbers						
			Receptacle Housing	Cover	Locking Device	Cover and Lever	Mating Pin Housing	Mating PCB Header Right-Angle	Mating PCB Header Vertical
6 (1 x 6)	B	Black	9-1419169-0						
	C	Black	8-1419169-3	-	-	-	-	-	-
	D	Black	8-1419169-4						

Unsealed Receptacle Housings 1-Row without CPA

No. of Positions	Keying Options	Housing Color	Part Numbers						
			Receptacle Housing	Cover	Locking Device	Cover and Lever	Mating Pin Housing	Mating PCB Header Right-Angle	Mating PCB Header Vertical
6 (1 x 6)	B	Black	1419158-4						
	C	Black	1419158-1						
	D	Black	1419158-2	-	-	-	-	-	-
	E	Black	7-1419169-0						
	F	Black	7-1419169-1						

Unsealed Low Profile Latch 1-Row

Technical Features

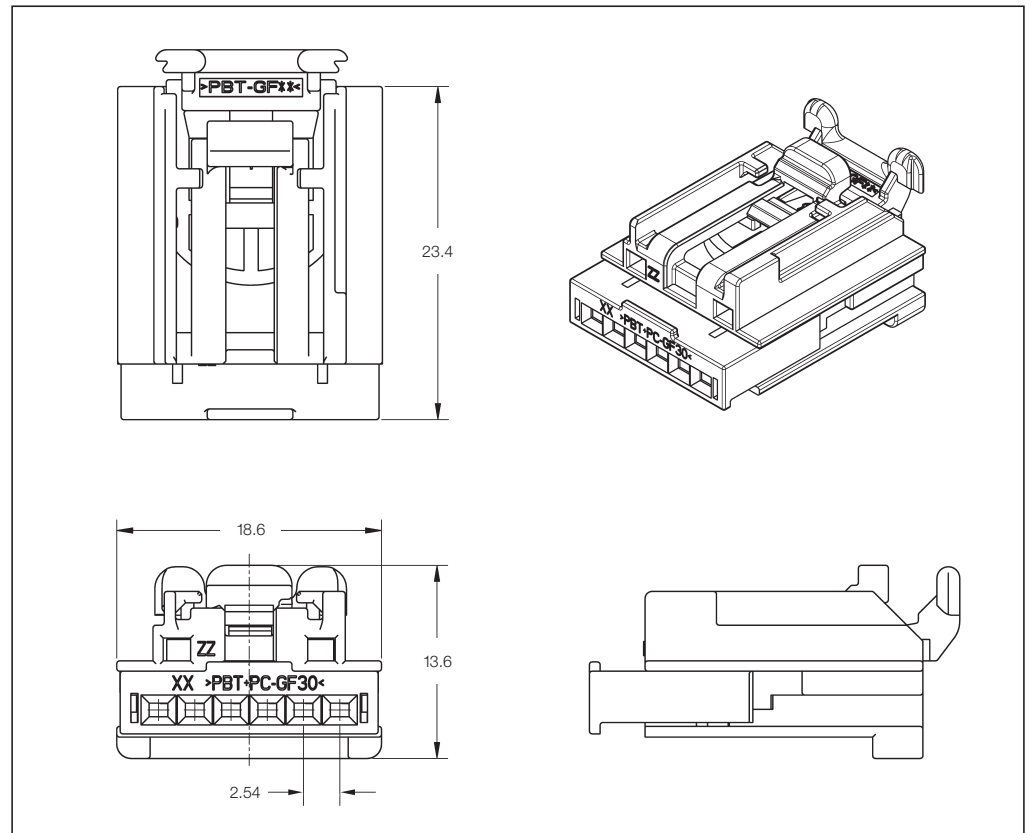
No. of Positions:
6 (1 x 6) Positions Assy

Housing Material:
PA66 GF35

Wire Size Range:
0.22–0.75 mm²

Product Specification:
114-13060

Application Specification:
408-8955



Unsealed Low Profile Latch 1-Row with CPA

No. of Positions	Keying Options	Housing Color	Part Numbers						
			Receptacle Housing	Cover	Locking Device	Cover and Lever	Mating Pin Housing	Mating PCB Header Right-Angle	Mating PCB Header Vertical
6 (1 x 6)	B	Black	1456985-2						
	C	Black	1456985-4						
	D	Black	1456985-6	-	-	-	-	-	-
	E	Black	1456985-8						
	F	Black	1-1456985-0						

Unsealed Low Profile Latch 1-Row without CPA

No. of Positions	Keying Options	Housing Color	Part Numbers						
			Receptacle Housing	Cover	Locking Device	Cover and Lever	Mating Pin Housing	Mating PCB Header Right-Angle	Mating PCB Header Vertical
6 (1 x 6)	B	Black	1456985-1						
	C	Black	1456985-3						
	D	Black	1456985-5	-	-	-	-	-	-
	E	Black	1456985-7						
	F	Black	1456985-9						

Unsealed Receptacle Housings 1-Row

Technical Features

No. of Positions:

6 (1 x 6) Positions Assy
Side Latch

Housing Material:

PA66 GF35

Wire Size Range:

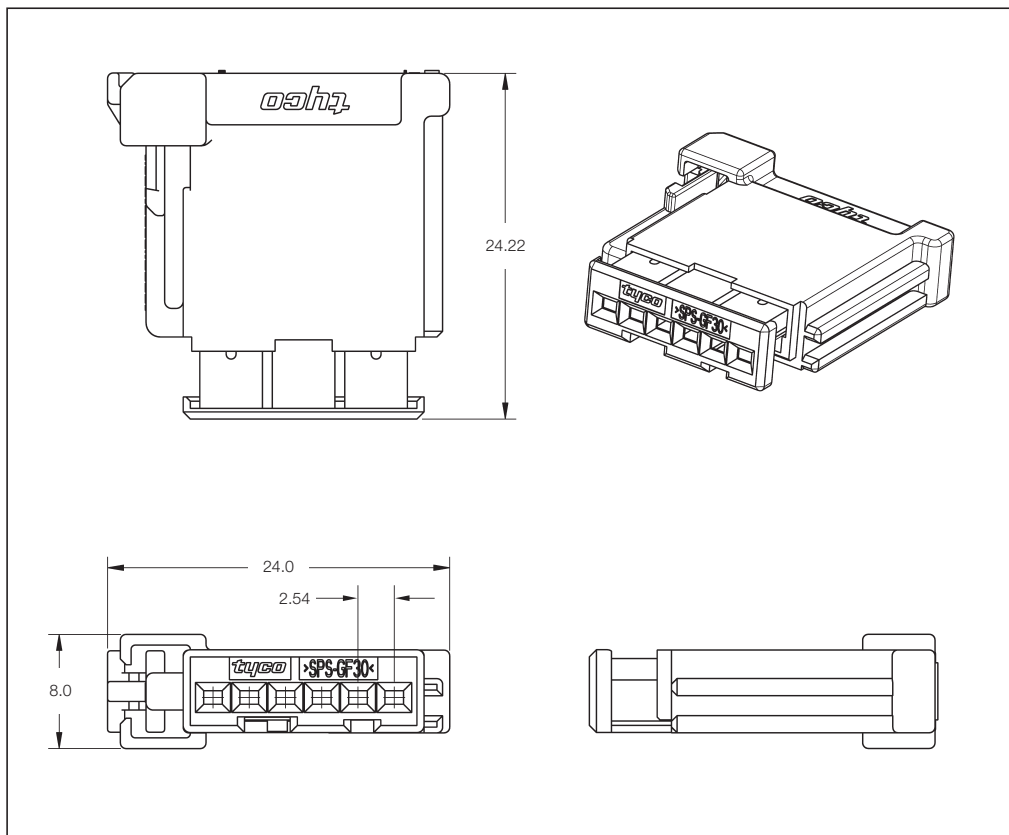
0.22–0.75 mm²

Product Specification:

114-13060

Application Specification:

408-8955



Unsealed Receptacle Housings 1-Row

No. of Positions	Keying Options	Housing Color	Part Numbers						
			Receptacle Housing	Cover	Locking Device	Cover and Lever	Mating Pin Housing	Mating PCB Header Right-Angle	Mating PCB Header Vertical
6 (1 x 6)	B	Black	1438156-2	-	-	-	-	-	-
	C	Black	1488752-3	-	-	-	-	-	-

Unsealed Receptacle Housings 1-Row

Technical Features

No. of Positions:

6 (1 x 6) Positions Assy
with/without Shorting Bar

Housing Material:

PA66 GF35

Wire Size Range:

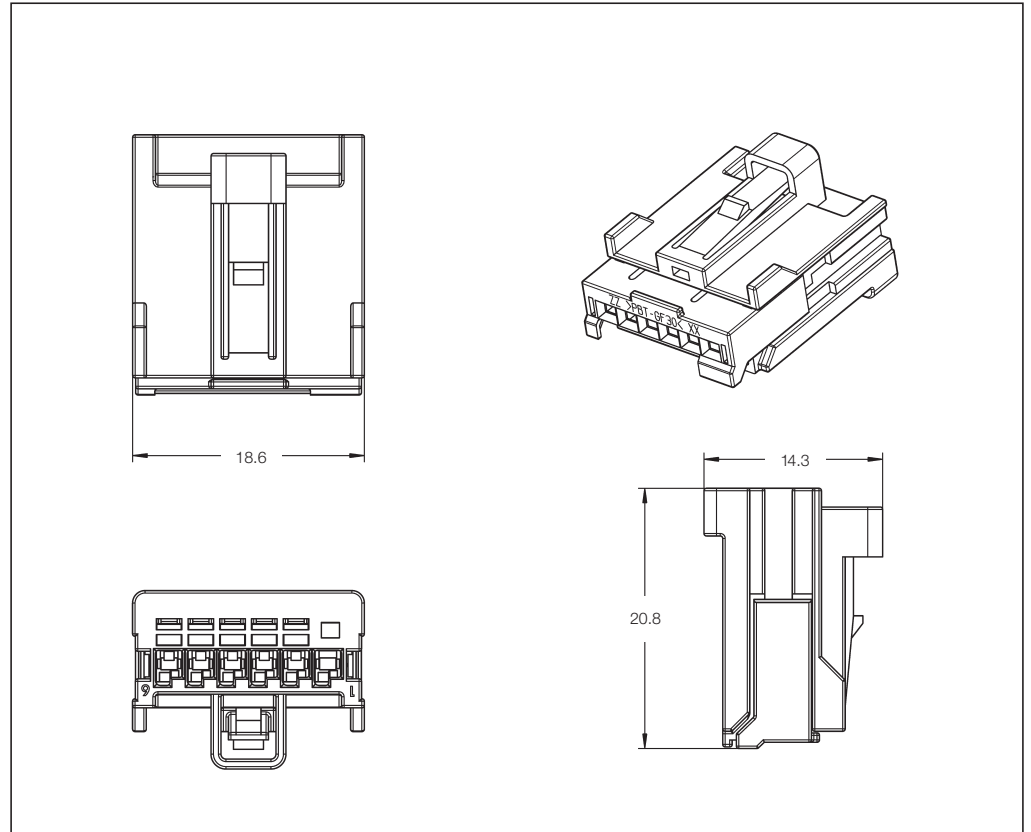
0.22–0.75 mm²

Product Specification:

114-13060

Application Specification:

408-8955



Unsealed Receptacle Housings 1-Row

No. of Positions	Keying Options	Housing Color	Part Numbers						
			Receptacle Housing	Cover	Locking Device	Cover and Lever	Mating Pin Housing	Mating PCB Header Right-Angle	Mating PCB Header Vertical
6 (1 x 6)	A	Yellow	1355922-1	-	-	-	-	-	-
	B	Black	1355922-4	-	-	-	-	-	-

Unsealed Receptacle Housings 1-Row

Technical Features

No. of Positions:

6 (1 x 6) Positions Hybrid
4 x GET.64 Terminal
2 x 6.3 mm Terminal

Housing Material:

PBT GF30

Wire Size Range:

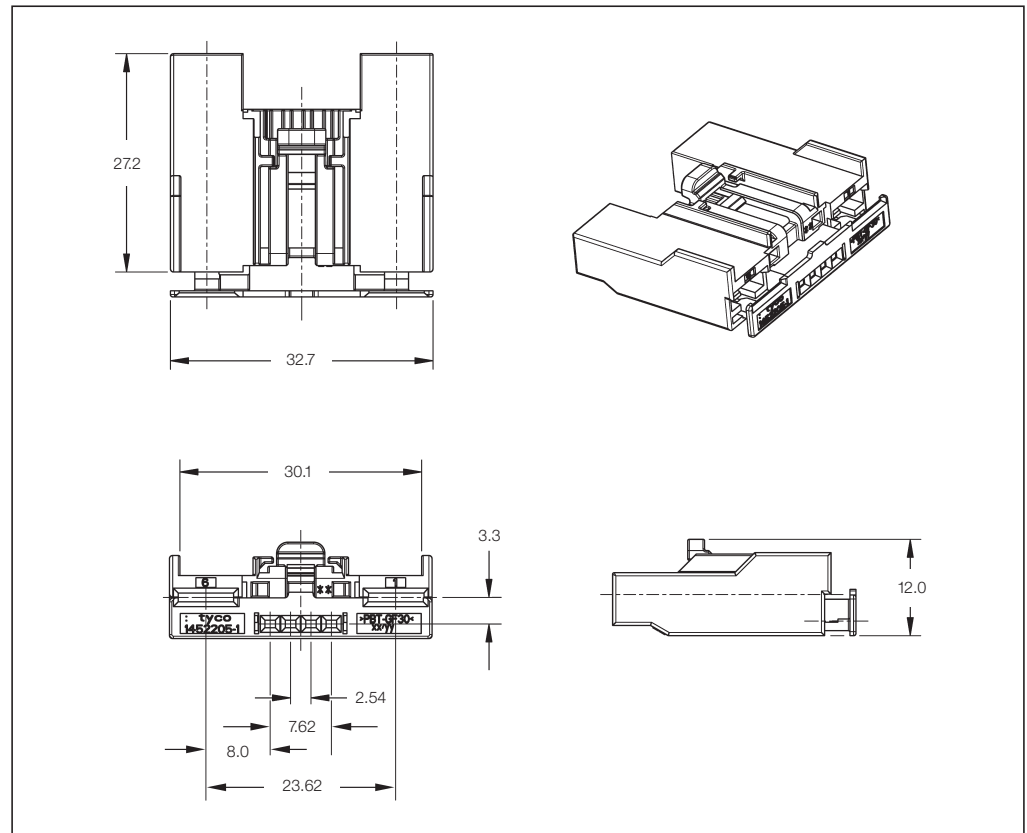
0.22–0.75 mm²

Product Specification:

—

Application Specification:

—



Unsealed Receptacle Housings 1-Row

No. of Positions	Keying Options	Housing Color	Part Numbers						
			Receptacle Housing	Cover	Locking Device	Cover and Lever	Mating Pin Housing	Mating PCB Header Right-Angle	Mating PCB Header Vertical
6 (1 x 6)	A	Black	1452203-1	—	—	—	—	—	—

Unsealed Receptacle Housings 1-Row

Technical Features

No. of Positions:

10 (1 x 10) Positions Assy without CPA

Housing Material:

PA66 GF35

Wire Size Range:

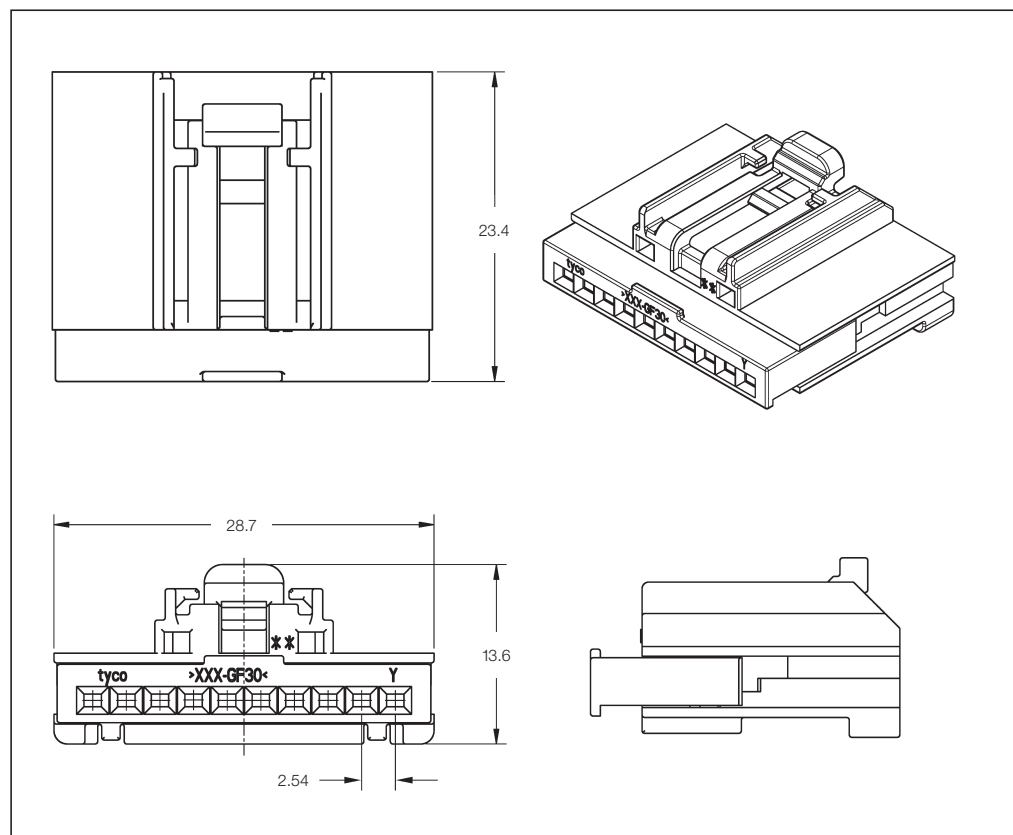
0.22–0.75 mm²

Product Specification:

114-13060

Application Specification:

408-8955



Unsealed Receptacle Housings 1-Row

No. of Positions	Keying Options	Housing Color	Part Numbers						
			Receptacle Housing	Cover	Locking Device	Cover and Lever	Mating Pin Housing	Mating PCB Header Right-Angle	Mating PCB Header Vertical
10 (1 x 10)	A	Black	1452187-1						
	C	Black	1452187-3	-	-	-	-	-	-
	D	Black	1452187-4						

Unsealed Receptacle Housings 2-Rows

Technical Features

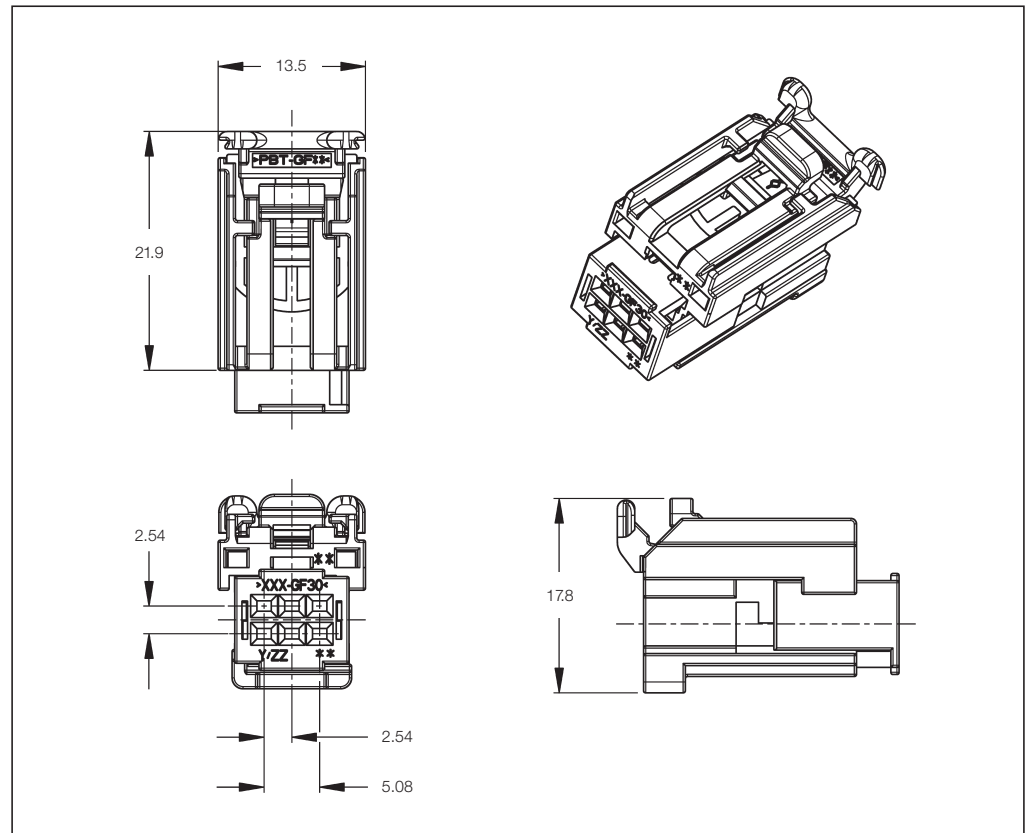
No. of Positions:
6 (2 x 3) Positions Assy

Housing Material:
PA66 GF35

Wire Size Range:
0.22–0.75 mm²

Product Specification:
114-13060

Application Specification:
408-8955



Unsealed Receptacle Housings 2-Rows with CPA

No. of Positions	Keying Options	Housing Color	Part Numbers						
			Receptacle Housing	Cover	Locking Device	Cover and Lever	Mating Pin Housing	Mating PCB Header Right-Angle	Mating PCB Header Vertical
6 (2 x 3)	A	Black	1419158-5						
	B	Black	1418158-6	-	-	-	-	-	-
	C	Black	1411325-3						
	D	Black	1411325-4						

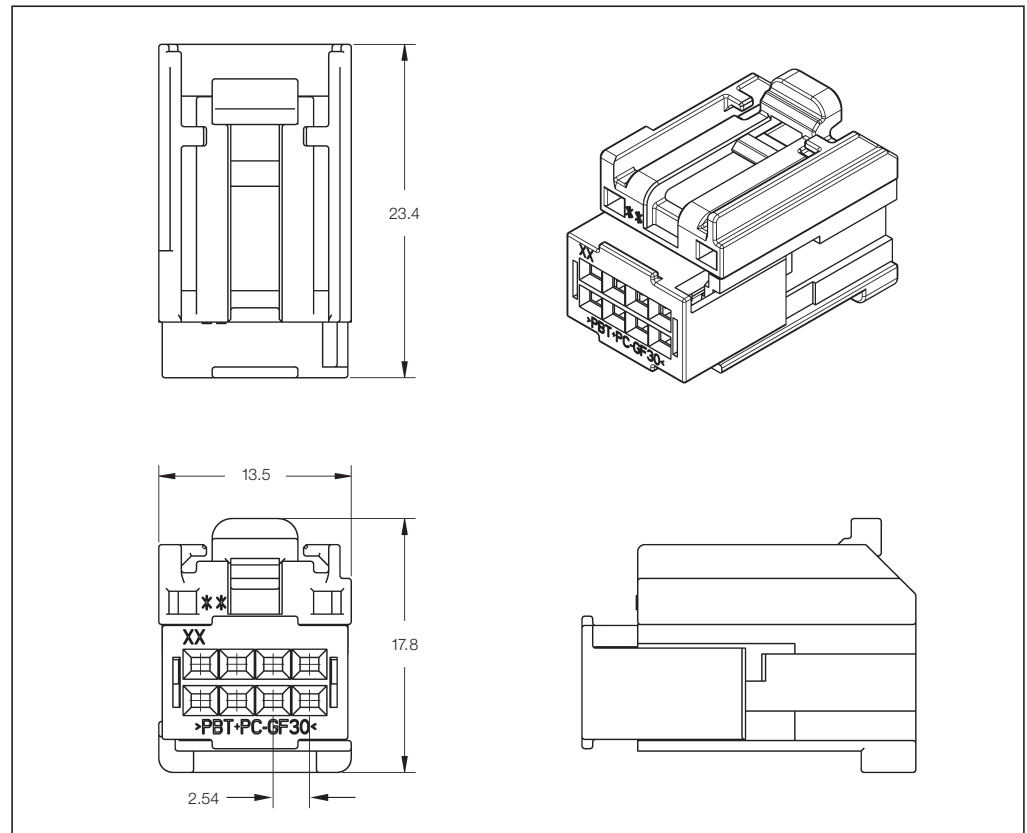
Unsealed Receptacle Housings 2-Rows without CPA

No. of Positions	Keying Options	Housing Color	Part Numbers						
			Receptacle Housing	Cover	Locking Device	Cover and Lever	Mating Pin Housing	Mating PCB Header Right-Angle	Mating PCB Header Vertical
6 (2 x 3)	A	Black	9-1411325-1						
		Green	1-1411325-1						
	B	Black	9-1411325-2						
		Gray	1-1411325-2						
	C	Black	9-1411325-3	-	-	-	-	-	-
		Brown	1-1411325-3						
	D	Black	9-1411325-4						
		Blue	1-1411325-4						
	E	Black	9-1411325-5						

Unsealed Receptacle Housings 2-Rows

Technical Features

- No. of Positions:**
8 (2 x 4) Positions Assy
- Housing Material:**
PA66 GF35
- Wire Size Range:**
0.22–0.75 mm²
- Product Specification:**
114-13060
- Application Specifications:**
408-8955
408-8600



Unsealed Receptacle Housings 2-Rows with CPA

No. of Positions	Keying Options	Housing Color	Part Numbers						
			Receptacle Housing	Cover	Locking Device	Cover and Lever	Mating Pin Housing	Mating PCB Header Right-Angle	Mating PCB Header Vertical
8 (2 x 4)	A	Black	3-1419170-4	–	–	–	1411169-1	–	–
	C	Black	1-1419158-3	–	–	–	1411169-3	–	–
	D	Black	2-1419170-9	–	–	–	1411169-4	–	–
	E	Black	3-1419170-0	–	–	–	–	–	–

Unsealed Receptacle Housings 2-Rows without CPA

No. of Positions	Keying Options	Housing Color	Part Numbers						
			Receptacle Housing	Cover	Locking Device	Cover and Lever	Mating Pin Housing	Mating PCB Header Right-Angle	Mating PCB Header Vertical
8 (2 x 4)	A	Black	1-1419158-2	–	–	–	1411169-1	–	–
		Black	1411168-1	–	–	–	–	–	–
	C	Black	1418158-8	–	–	–	1411169-3	–	–
		Black	1411168-3	–	–	–	–	–	–
	D	Black	1-1419158-0	–	–	–	1411169-4	–	–
		E	Black	1-1419158-1	–	–	–	–	–

Unsealed Low Profile Latch 2-Rows

Technical Features

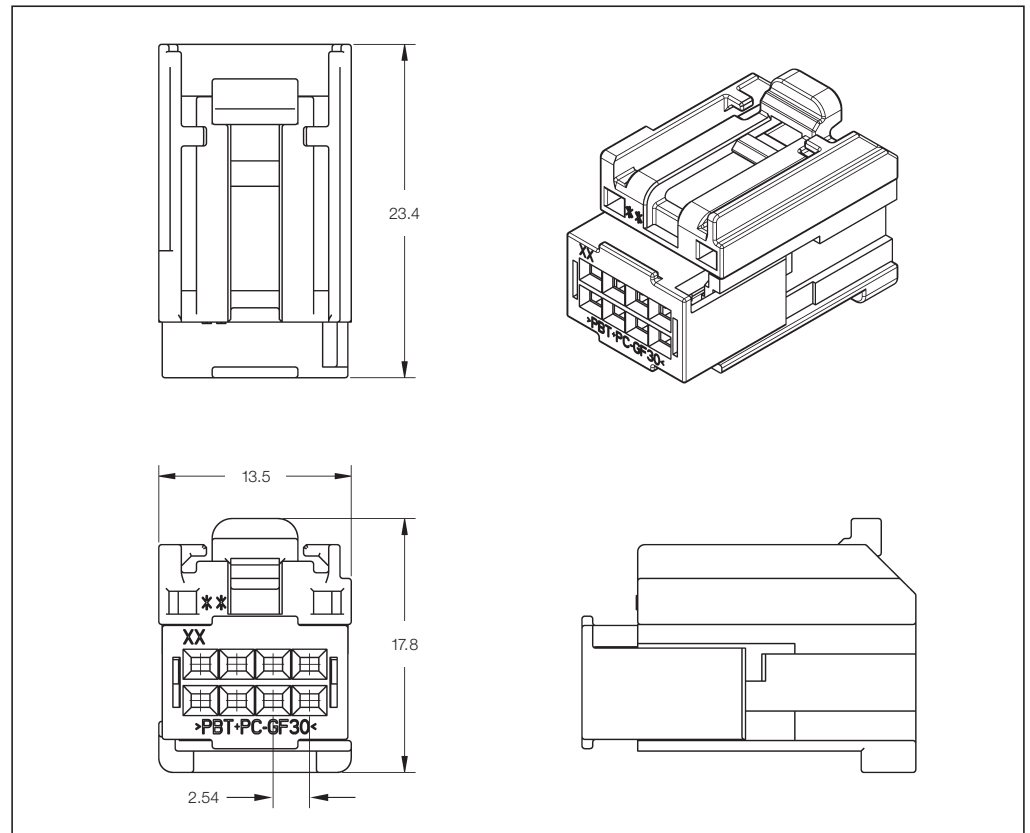
No. of Positions:
8 (2 x 4) Positions Assy

Housing Material:
PA66 GF35

Wire Size Range:
0.22–0.75 mm²

Product Specification:
114-13060

Application Specifications:
408-8955
408-8600



Unsealed Low Profile Latch 2-Rows with CPA

No. of Positions	Keying Options	Housing Color	Part Numbers						
			Receptacle Housing	Cover	Locking Device	Cover and Lever	Mating Pin Housing	Mating PCB Header Right-Angle	Mating PCB Header Vertical
8 (2 x 4)	A	Black	1456987-2	–	–	–	1411169-1	–	–
	B	Black	1456987-4	–	–	–	–	–	–
	C	Black	1456987-6	–	–	–	1411169-3	–	–
	D	Black	1456987-8	–	–	–	1411169-4	–	–

Unsealed Low Profile Latch 2-Rows without CPA

No. of Positions	Keying Options	Housing Color	Part Numbers						
			Receptacle Housing	Cover	Locking Device	Cover and Lever	Mating Pin Housing	Mating PCB Header Right-Angle	Mating PCB Header Vertical
8 (2 x 4)	A	Black	1456987-1	–	–	–	1411169-1	–	–
	B	Black	1456987-3	–	–	–	–	–	–
	C	Black	1456987-5	–	–	–	1411169-3	–	–
	D	Black	1456987-7	–	–	–	1411169-4	–	–

Unsealed Receptacle Housings 2-Rows

Technical Features

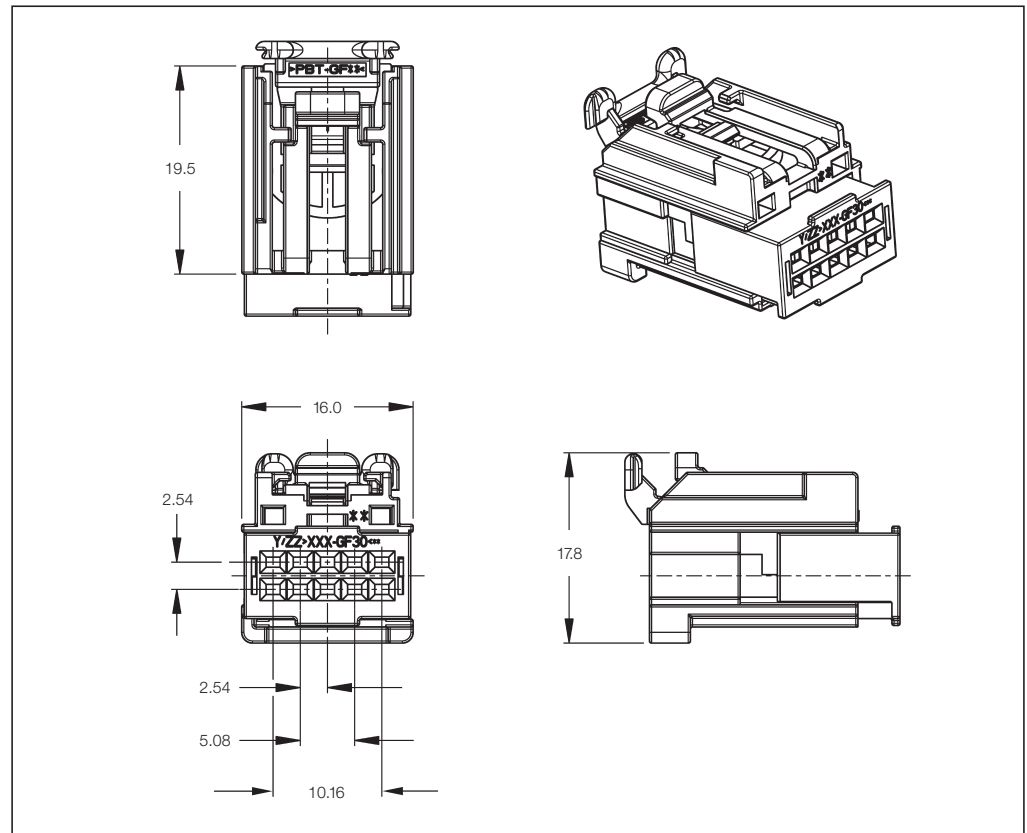
No. of Positions:
10 (2 x 5) Positions Assy

Housing Material:
PA66 GF35

Wire Size Range:
0.22–0.75 mm²

Product Specification:
114-13060

Application Specifications:
408-8955
408-8600



Unsealed Receptacle Housings 2-Rows with CPA

No. of Positions	Keying Options	Housing Color	Part Numbers						
			Receptacle Housing	Cover	Locking Device	Cover and Lever	Mating Pin Housing	Mating PCB Header Right-Angle	Mating PCB Header Vertical
10 (2 x 5)	A	Black	5-1419170-8	–	–	–	9-1419157-6	–	–

Unsealed Receptacle Housings 2-Rows without CPA

No. of Positions	Keying Options	Housing Color	Part Numbers						
			Receptacle Housing	Cover	Locking Device	Cover and Lever	Mating Pin Housing	Mating PCB Header Right-Angle	Mating PCB Header Vertical
10 (2 x 5)	A	Black	1-1419158-4	–	–	–	9-1419157-6	–	–

Unsealed Receptacle Housings 2-Rows

Technical Features

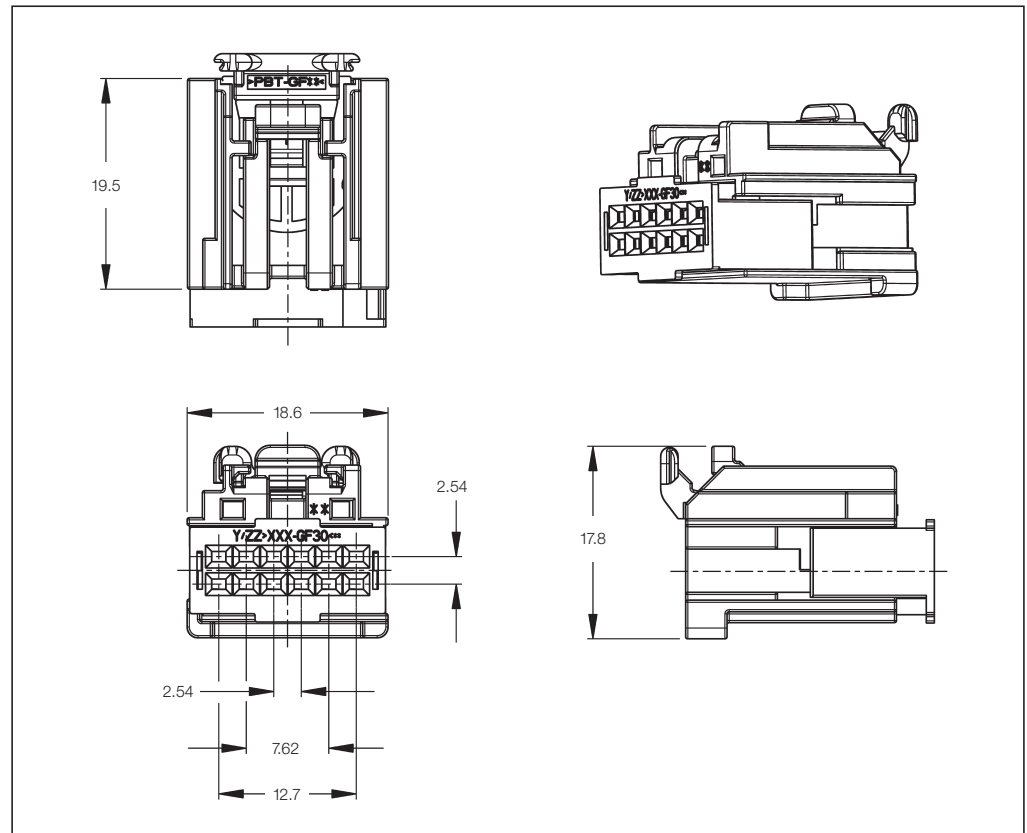
No. of Positions:
12 (2 x 6) Positions Assy

Housing Material:
PA66 GF35

Wire Size Range:
0.22–0.75 mm²

Product Specification:
114-13060

Application Specification:
408-8955



Unsealed Receptacle Housings 2-Rows with CPA

No. of Positions	Keying Options	Housing Color	Part Numbers						
			Receptacle Housing	Cover	Locking Device	Cover and Lever	Mating Pin Housing	Mating PCB Header Right-Angle	Mating PCB Header Vertical
12 (2 x 6)	B	Black	1-1452015-2	-	-	-	-	1438107-1	-
	H	Black	1-1452015-8	-	-	-	-	-	-

Unsealed Receptacle Housings 2-Rows without CPA

No. of Positions	Keying Options	Housing Color	Part Numbers						
			Receptacle Housing	Cover	Locking Device	Cover and Lever	Mating Pin Housing	Mating PCB Header Right-Angle	Mating PCB Header Vertical
12 (2 x 6)	B	Black	1452015-2	-	-	-	-	1438107-1	-
	H	Black	1452015-8	-	-	-	-	-	-

Unsealed Receptacle Housings 2-Rows

Technical Features

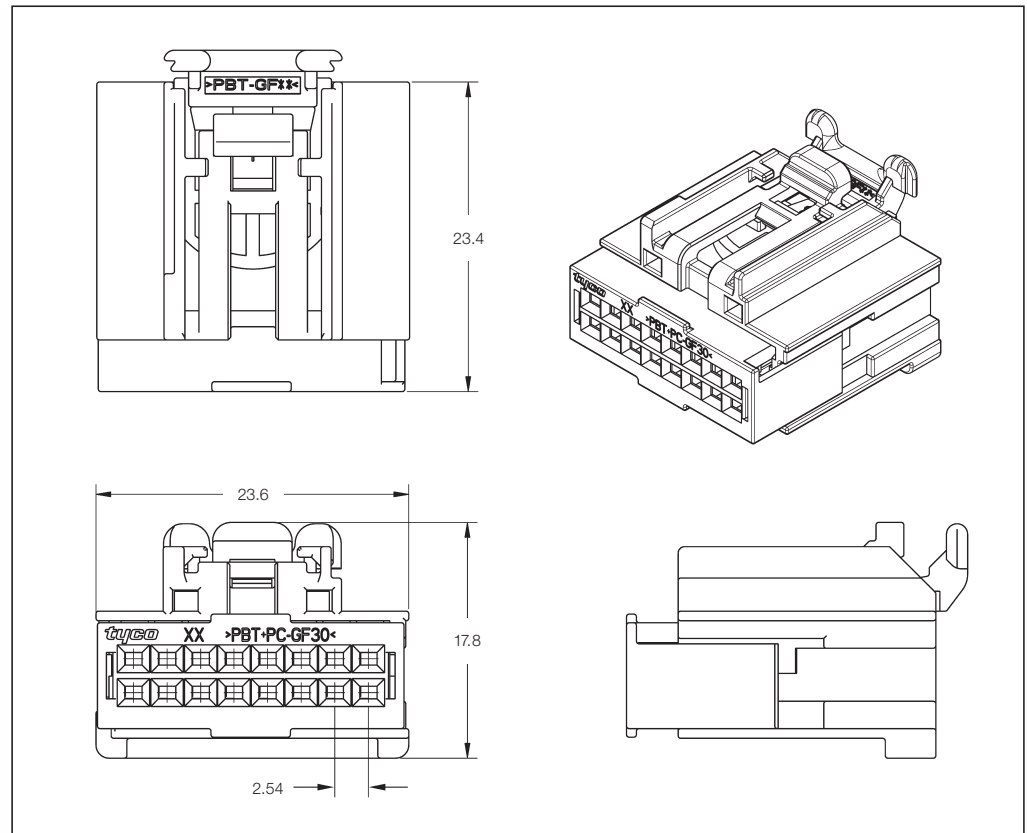
No. of Positions:
16 (2 x 8) Positions Assy

Housing Material:
sPS + PA66 GF30

Wire Size Range:
0.22–0.75 mm²

Product Specification:
114-13060

Application Specifications:
408-8955
408-8600



Unsealed Receptacle Housings 2-Rows with CPA

No. of Positions	Keying Options	Housing Color	Part Numbers						
			Receptacle Housing	Cover	Locking Device	Cover and Lever	Mating Pin Housing	Mating PCB Header Right-Angle	Mating PCB Header Vertical
16 (2 x 8)	A	Black	1419171-9	–	–	–	6-1419167-1	1438107-1	–
	C	Black	1419171-3	–	–	–	5-1419167-5	–	–
	D	Black	1419171-4	–	–	–	5-1419167-6	–	–
	E	Black	1419171-5	–	–	–	5-1419167-7	–	–
	F	Black	1419171-6	–	–	–	5-1419167-8	–	–

Unsealed Receptacle Housings 2-Rows without CPA

No. of Positions	Keying Options	Housing Color	Part Numbers						
			Receptacle Housing	Cover	Locking Device	Cover and Lever	Mating Pin Housing	Mating PCB Header Right-Angle	Mating PCB Header Vertical
16 (2 x 8)	A	Black	9-1419170-1	–	–	–	6-1419167-1	1438107-1	–
		Gray	1411369-1	–	–	–	1411367-1	–	–
	C	Black	8-1419170-5	–	–	–	5-1419167-5	–	–
	D	Black	8-1419170-6	–	–	–	5-1419167-6	–	–
	E	Black	8-1419170-7	–	–	–	5-1419167-7	–	–
	F	Black	8-1419170-8	–	–	–	5-1419167-8	–	–

Unsealed Low Profile Latch 2-Rows

Technical Features

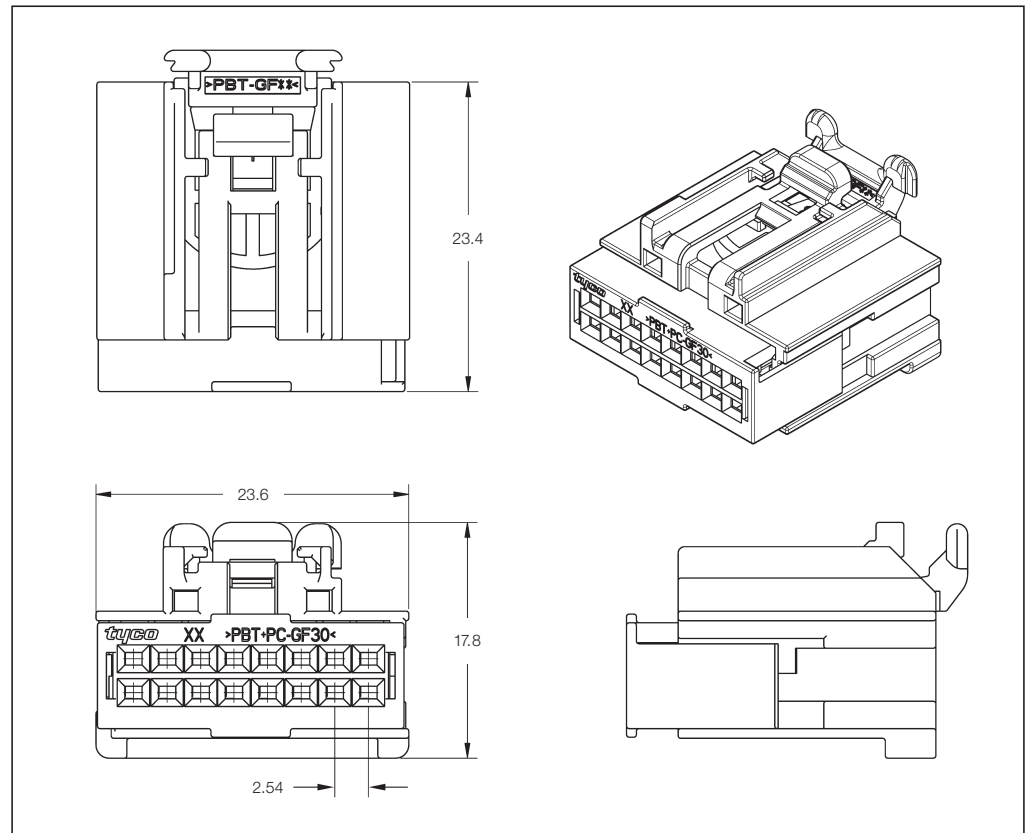
No. of Positions:
16 (2 x 8) Positions Assy

Housing Material:
sPS + PA66 GF30

Wire Size Range:
0.22–0.75 mm²

Product Specification:
114-13060

Application Specifications:
408-8955
408-8600



Unsealed Low Profile Latch 2-Rows

No. of Positions	Keying Options	Housing Color	Part Numbers						
			Receptacle Housing	Cover	Locking Device	Cover and Lever	Mating Pin Housing	Mating PCB Header Right-Angle	Mating PCB Header Vertical
16 (2 x 8)	A	Black	1458573-1	–	–	–	1438170-1	1438107-1	–

Unsealed Low Profile Latch 2-Rows with CPA

No. of Positions	Keying Options	Housing Color	Part Numbers						
			Receptacle Housing	Cover	Locking Device	Cover and Lever	Mating Pin Housing	Mating PCB Header Right-Angle	Mating PCB Header Vertical
16 (2 x 8)	A	Black	1456989-2	–	–	–	1438170-1	1438107-1	–

Unsealed Low Profile Latch 2-Rows without CPA

No. of Positions	Keying Options	Housing Color	Part Numbers						
			Receptacle Housing	Cover	Locking Device	Cover and Lever	Mating Pin Housing	Mating PCB Header Right-Angle	Mating PCB Header Vertical
16 (2 x 8)	A	Black	1456989-1	–	–	–	6-1419167-1	–	–
		Gray	1456985-3	–	–	–	1411367-1	–	–
	C	Black	1456985-4	–	–	–	5-1419167-5	–	–
	D	Black	1456985-5	–	–	–	5-1419167-6	–	–
	E	Black	1456985-6	–	–	–	5-1419167-7	–	–
	F	Black	1456989-7	–	–	–	5-1419167-8	–	–

Unsealed Receptacle Housings 2-Rows

Technical Features

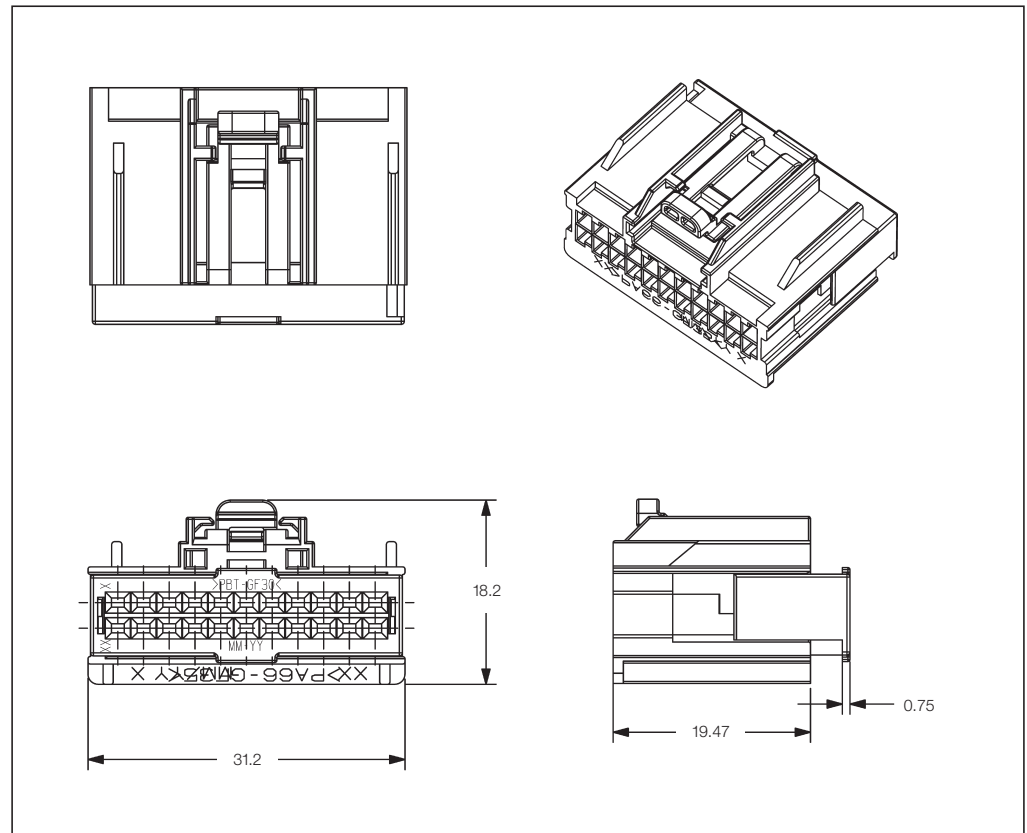
No. of Positions:
22 (2 x 11) Positions Assy

Housing Material:
PA66 GF30

Wire Size Range:
0.22–0.75 mm²

Product Specification:
114-13060

Application Specifications:
408-8955
408-8600



Unsealed Receptacle Housings 2-Rows with CPA

No. of Positions	Keying Options	Housing Color	Part Numbers						
			Receptacle Housing	Cover	Locking Device	Cover and Lever	Mating Pin Housing	Mating PCB Header Right-Angle	Mating PCB Header Vertical
22 (2 x 11)	A	Black	1-1419158-7	–	–	–	2-1419158-8	–	–
	B	Black	3-1419158-0	–	–	–	2-1419158-7	–	–
	C	Black	2-1419158-9	–	–	–	2-1419158-6	–	–

Unsealed Receptacle Housings 2-Rows without CPA

No. of Positions	Keying Options	Housing Color	Part Numbers						
			Receptacle Housing	Cover	Locking Device	Cover and Lever	Mating Pin Housing	Mating PCB Header Right-Angle	Mating PCB Header Vertical
22 (2 x 11)	A	Black	1420011-1	–	–	–	2-1419158-8	–	–
	B	Black	1420011-2	–	–	–	2-1419158-7	–	–
	C	Black	1420011-3	–	–	–	2-1419158-6	–	–

Unsealed Receptacle Housings 2-Rows

Technical Features

No. of Positions:

22 Positions Hybrid
18 x GET.64 Terminal
4 x 2.8 mm Terminal

Housing Material:

PA66 GF30

Wire Size Range:

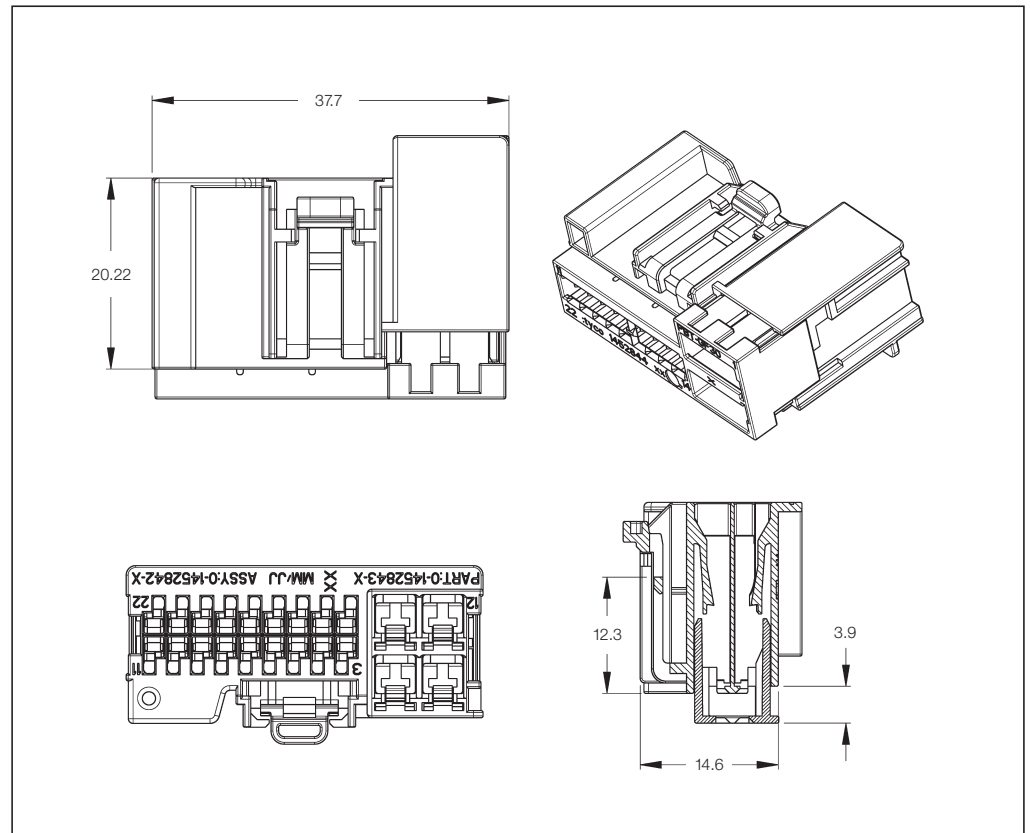
0.22–0.75 mm²

Product Specification:

—

Application Specification:

—



Unsealed Receptacle Housings 2-Rows

No. of Positions	Keying Options	Housing Color	Part Numbers						
			Receptacle Housing	Cover	Locking Device	Cover and Lever	Mating Pin Housing	Mating PCB Header Right-Angle	Mating PCB Header Vertical
22	A	Black	1452842-1	—	—	—	—	—	—
		Gray	1-1452842-1	—	—	—	—	—	—

Unsealed Receptacle Housings 2-Rows

Technical Features

No. of Positions:

23 Positions Assy
with Lever Assistance
16 x GET.64 Terminal
7 x 2.8 mm Terminal

Housing Material:

PA66 GF35

Wire Size Range:

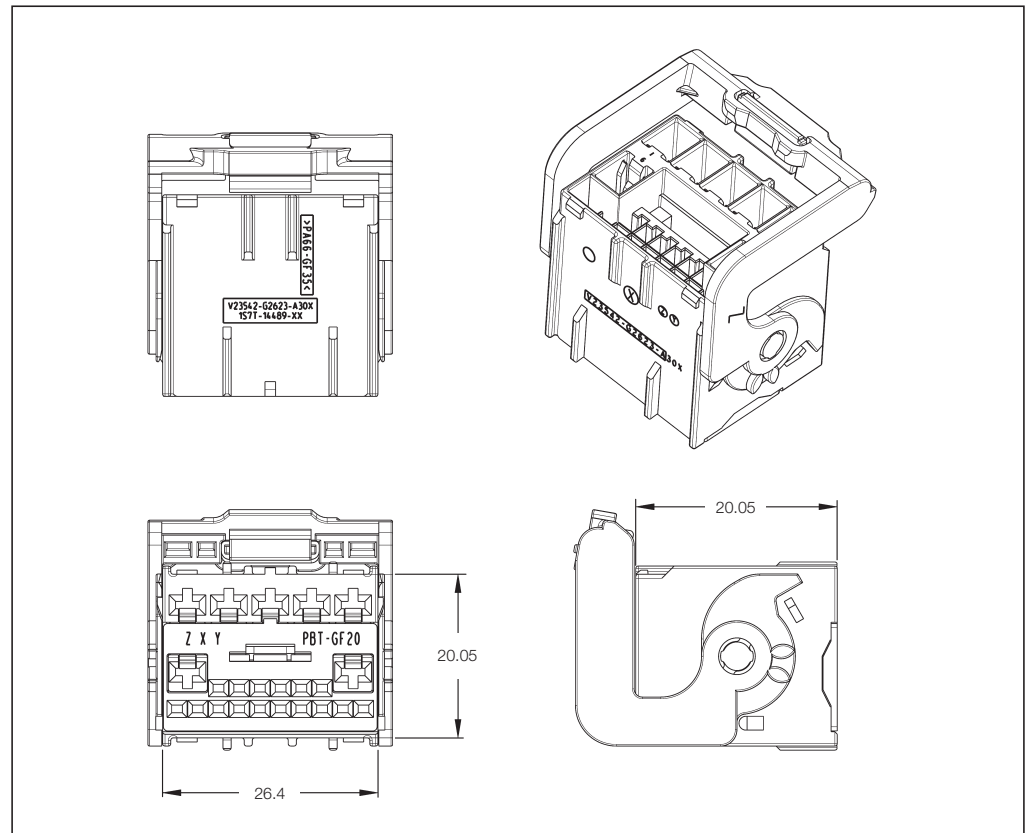
0.22–0.75 mm²

Product Specification:

114-13060

Application Specification:

408-8955



Unsealed Receptacle Housings 2-Rows

No. of Positions	Keying Options	Housing Color	Part Numbers						
			Receptacle Housing	Cover	Locking Device	Cover and Lever	Mating Pin Housing	Mating PCB Header Right-Angle	Mating PCB Header Vertical
23	A	Black	2-1419158-1						
	B	Green	2-1419158-0						
	C	Gray	1-1419158-9	–	–	–	–	6-1419138-9	–
	D	Brown	1-1419158-8						
	E	Blue	2-1419158-2						

Unsealed Receptacle Housings 2-Rows

Technical Features

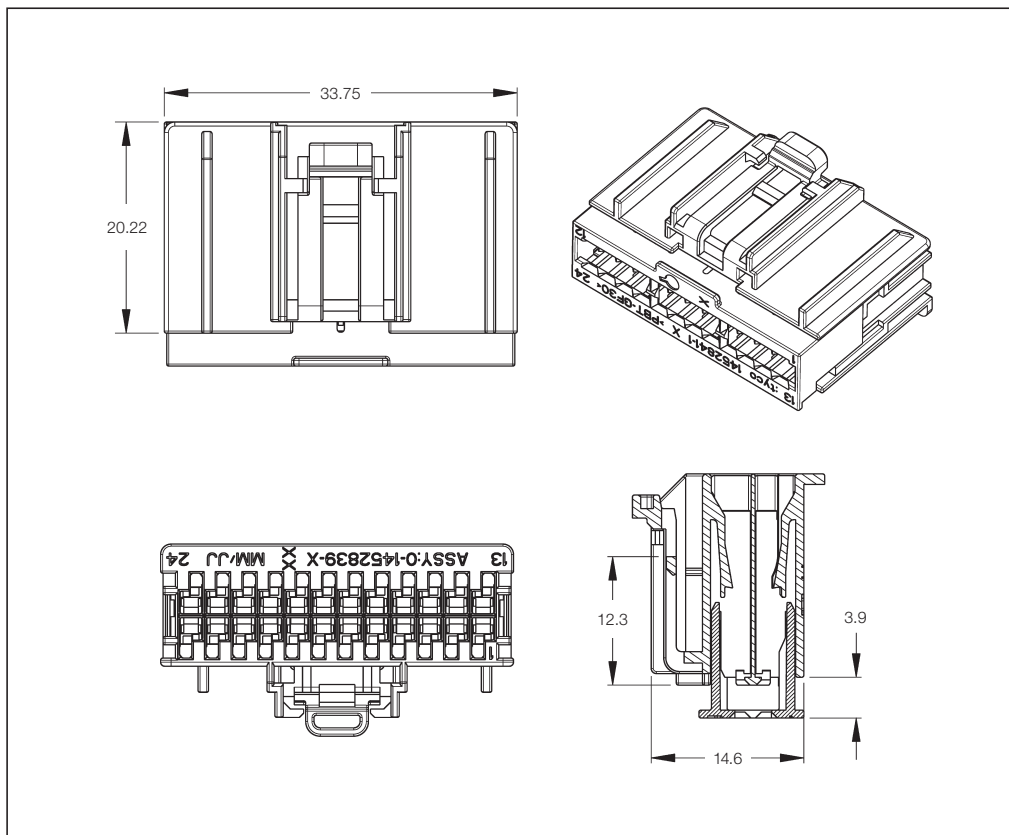
No. of Positions:
24 (2 x 12) Positions Assy

Housing Material:
PA66 GF35

Wire Size Range:
0.22–0.75 mm²

Product Specification:
—

Application Specification:
—



Unsealed Receptacle Housings 2-Rows

No. of Positions	Keying Options	Housing Color	Part Numbers						
			Receptacle Housing	Cover	Locking Device	Cover and Lever	Mating Pin Housing	Mating PCB Header Right-Angle	Mating PCB Header Vertical
24 (2 x 12)	A	Black	1452839-1	—	—	—	—	—	—
		Gray	1-1452839-1	—	—	—	—	—	—

Unsealed Pin Housings 1-Row

Technical Features

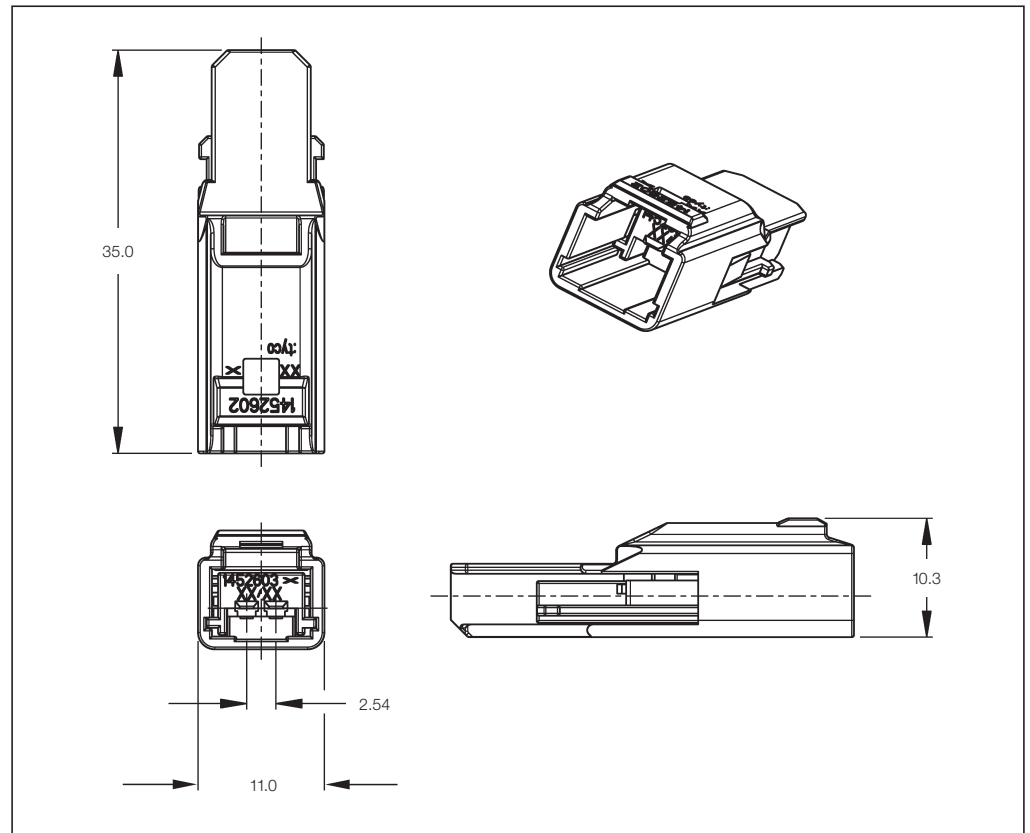
No. of Positions:
2 (1 x 2) Positions

Housing Material:
PA66 GF35

Wire Size Range:
0.22–0.75 mm²

Product Specification:
114-13060

Application Specifications:
408-8955
408-8600



Unsealed Pin Housings 1-Row

No. of Positions	Keying Options	Housing Color	Part Numbers				
			Pin Housing	Cover	Locking Device	Cover and Lever	Mating Receptacle Housing
2 (1 x 2)	A	Black	1452601-1	–	–	–	1452598-1

Unsealed Pin Housings 1-Row

Technical Features

No. of Positions:

4 (1 x 4) Positions

Housing Material:

PA66 GF35

Wire Size Range:

0.22–0.75 mm²

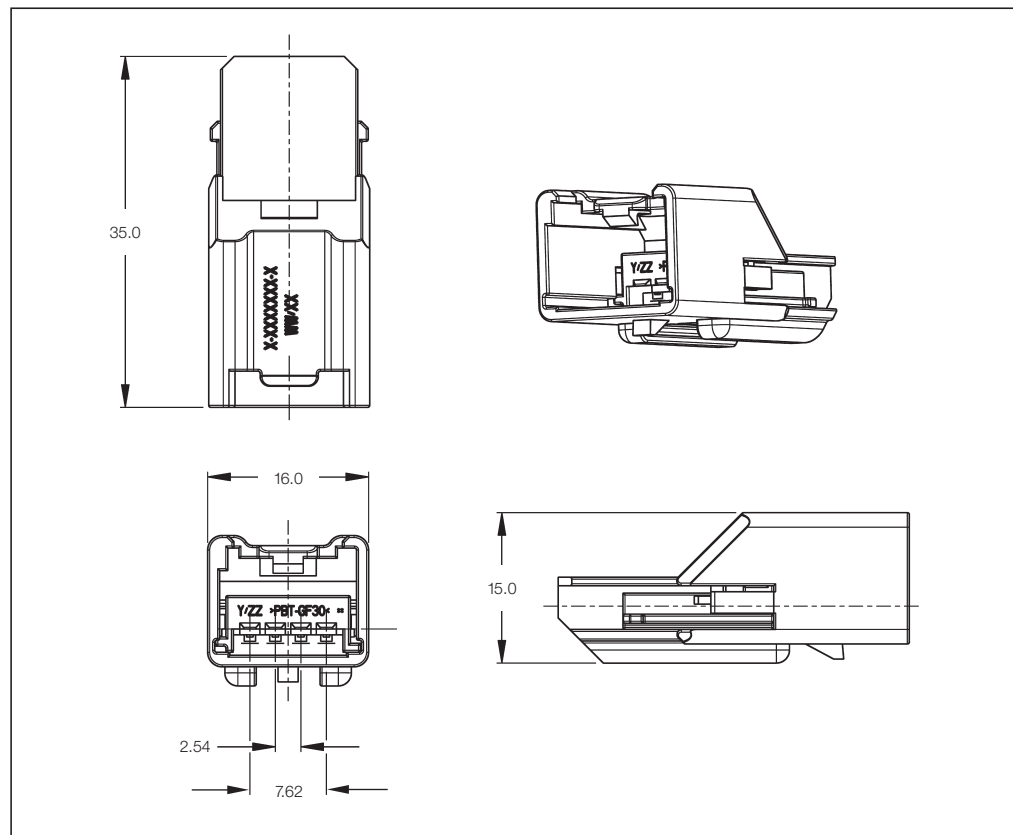
Product Specification:

114-13060

Application Specifications:

408-8955

408-8600



Unsealed Pin Housings 1-Row

No. of Positions	Keying Options	Housing Color	Part Numbers				
			Pin Housing	Cover	Locking Device	Cover and Lever	Mating Receptacle Housing
4 (1 x 4)	A	Black	6-1419166-1	-	-	-	6-1419169-8
							3-1419158-2
							1438122-1
	B	Black	6-1419166-2	-	-	-	6-1419169-9
							5-1419169-2
							6-1419169-3
D	Black	5-1419166-6	-	-	-	4-1419169-7	

Unsealed Pin Housings 1-Row

Technical Features

No. of Positions:

6 (1 x 6) Positions
with 3 (2) Shorting Bars

Housing Material:

PA66 GF35

Wire Size Range:

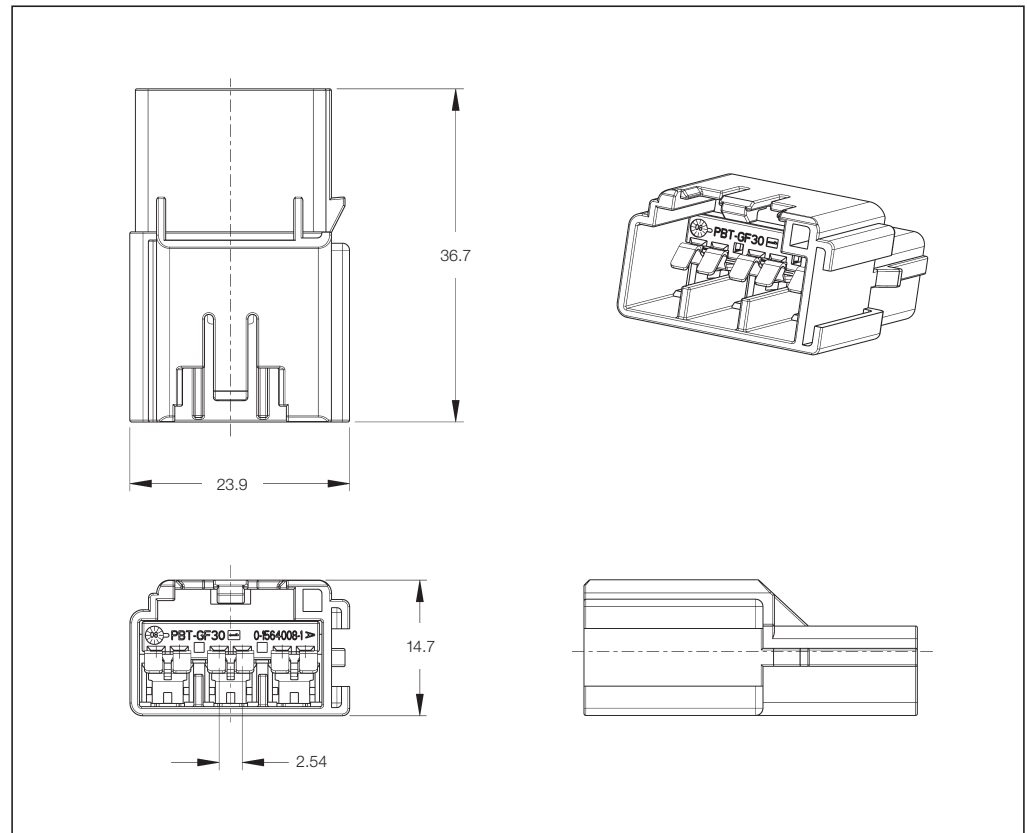
0.22–0.75 mm²

Product Specification:

114-13060

Application Specification:

—



Unsealed Pin Housings 1-Row

No. of Positions	Keying Options	Housing Color	Part Numbers				
			Pin Housing	Cover	Locking Device	Cover and Lever	Mating Receptacle Housing
6 (1 x 6)	X	Yellow	1564004-1	—	—	—	1564003-1
		Orange	1564004-2				

Unsealed Pin Housings 1-Row

Technical Features

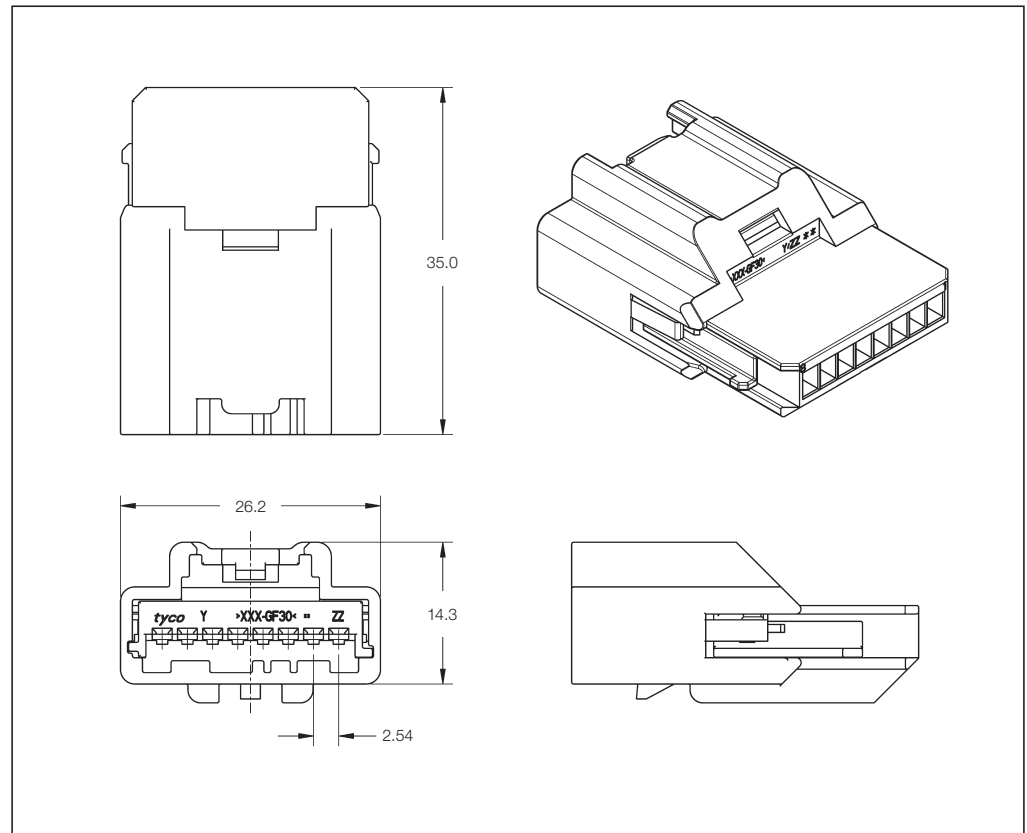
No. of Positions:
8 (1 x 8) Positions

Housing Material:
PA66 GF35

Wire Size Range:
0.22–0.75 mm²

Product Specification:
114-13060

Application Specifications:
408-8955
408-8600



Unsealed Pin Housings 1-Row

No. of Positions	Keying Options	Housing Color	Part Numbers				
			Pin Housing	Cover	Locking Device	Cover and Lever	Mating Receptacle Housing
8 (1 x 8)	C	Black	9-1419166-0	-	-	-	2-1419170-1
							9-1419169-1
	D	Black	9-1419166-1	-	-	-	1488903-1
							2-1419170-2
							9-1419169-2

Unsealed Pin Housings 2-Rows

Technical Features

No. of Positions:

8 (2 x 4) Positions

Housing Material:

PA66 GF35

Wire Size Range:

0.22–0.75 mm²

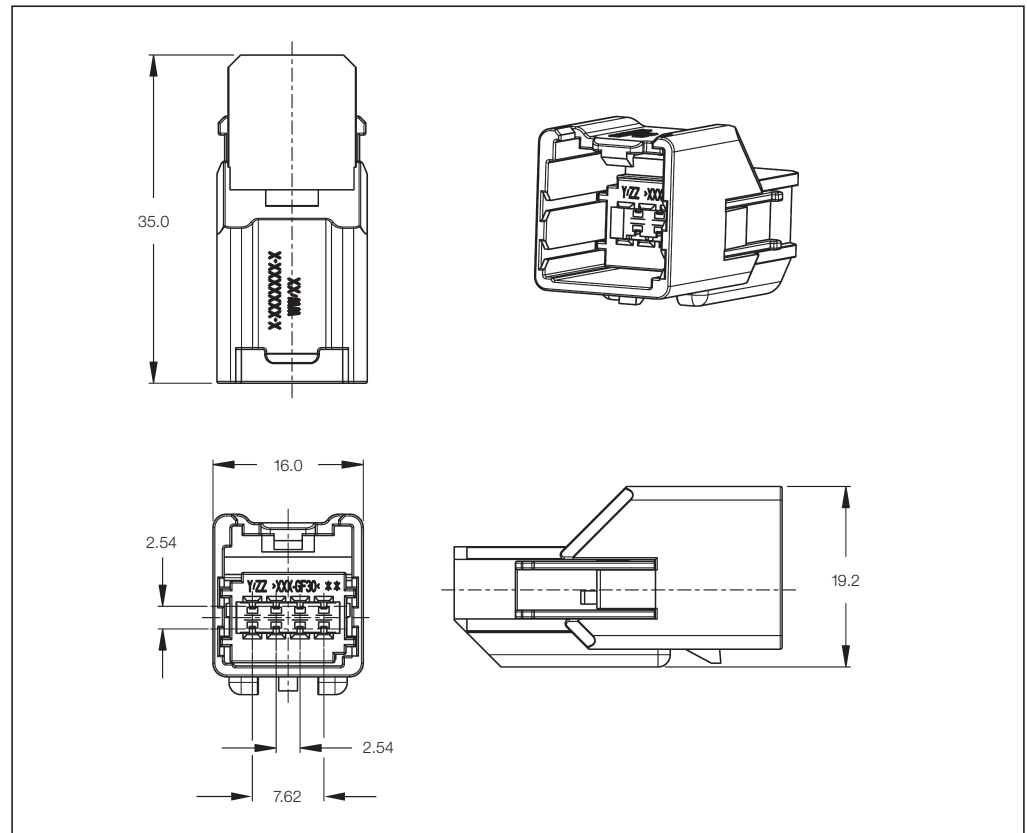
Product Specification:

114-13060

Application Specifications:

408-8955

408-8600



Unsealed Pin Housings 2-Rows

No. of Positions	Keying Options	Housing Color	Part Numbers				
			Pin Housing	Cover	Locking Device	Cover and Lever	Mating Receptacle Housing
8 (2 x 4)	A	Black	1411169-1	–	–	–	1-1419158-2 3-1419170-4
	C	Black	1411169-3	–	–	–	1419158-8 1-1419158-3
	D	Black	1411169-4	–	–	–	1-1419158-0 2-1419170-9
	E	Black	1411169-0	–	–	–	1-1419158-1 3-1419170-0

Unsealed Pin Housings 2-Rows

Technical Features

No. of Positions:

10 (2 x 5) Positions

Housing Material:

PA66 GF35

Wire Size Range:

0.22–0.75 mm²

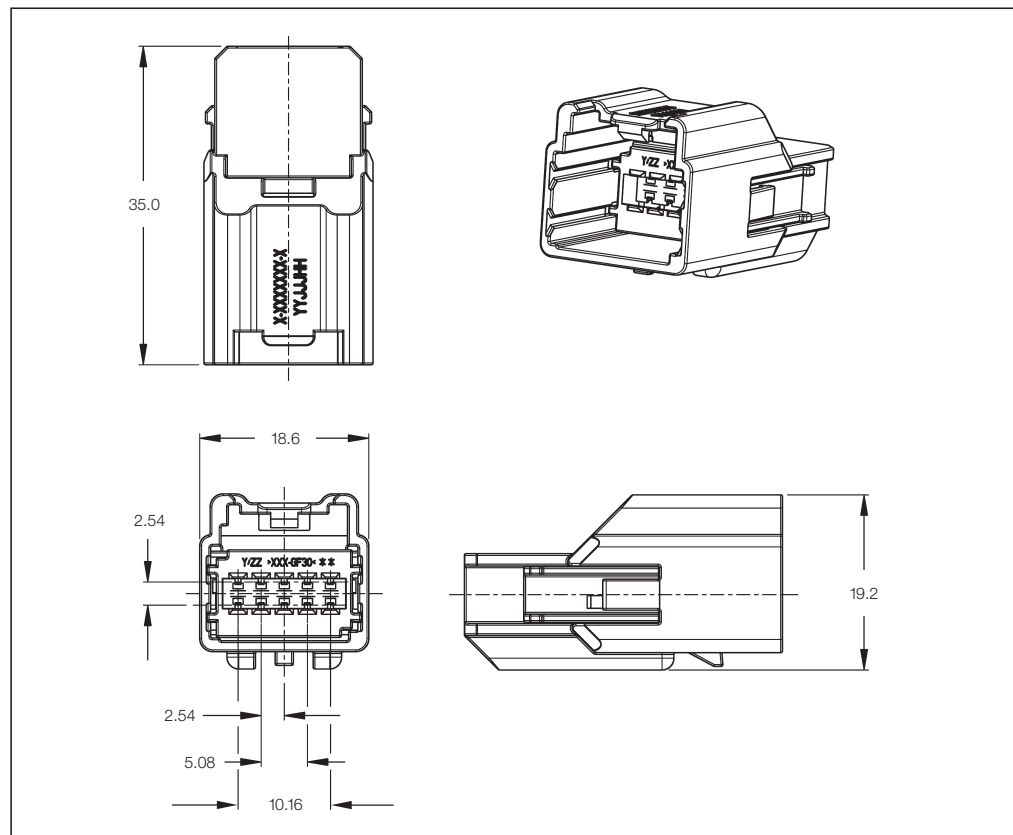
Product Specification:

114-13060

Application Specifications:

408-8955

408-8600



Unsealed Pin Housings 2-Rows

No. of Positions	Keying Options	Housing Color	Part Numbers				
			Pin Housing	Cover	Locking Device	Cover and Lever	Mating Receptacle Housing
10 (2 x 5)	A	Black	9-1419157-6	–	–	–	5-1419170-8 1-1419158-4

Unsealed Pin Housings 2-Rows

Technical Features

No. of Positions:

16 (2 x 8) Positions

Housing Material:

PA66 GF35

Wire Size Range:

0.22–0.75 mm²

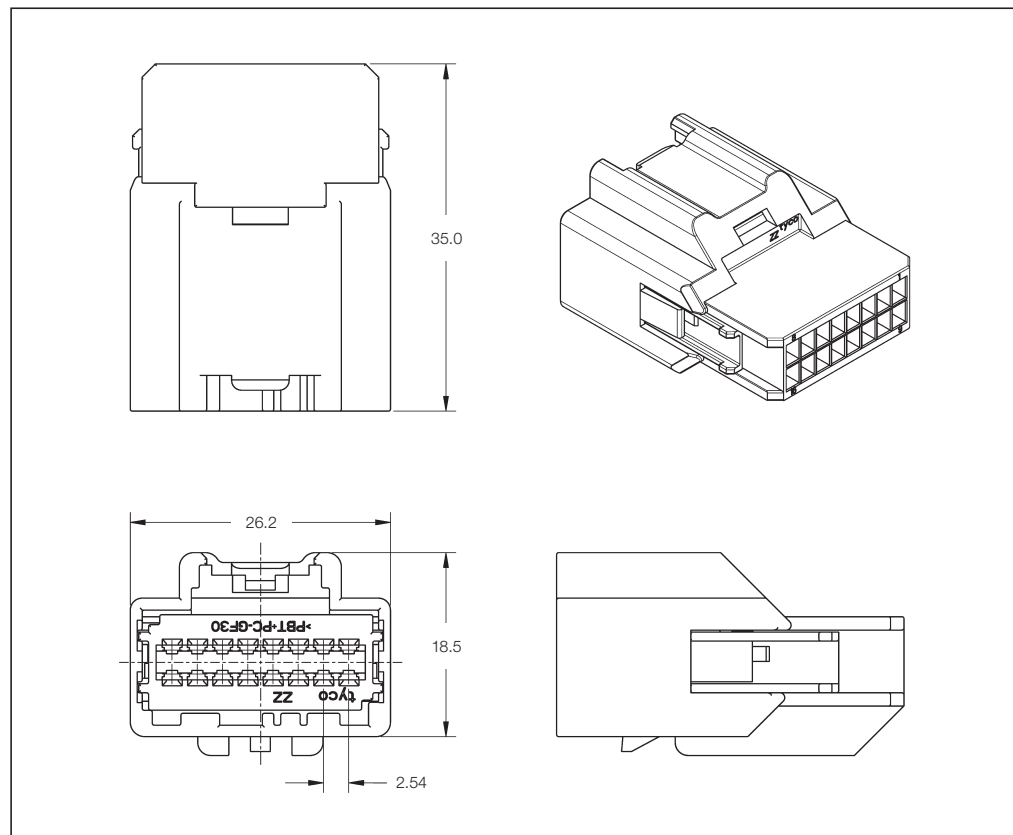
Product Specification:

114-13060

Application Specifications:

408-8955

408-8600



Unsealed Pin Housings 2-Rows

No. of Positions	Keying Options	Housing Color	Part Numbers				
			Pin Housing	Cover	Locking Device	Cover and Lever	Mating Receptacle Housing
16 (2 x 8)	A	Black	6-1419167-1	–	–	–	1419171-9 9-1419170-1
		Gray	1411367-1	–	–	–	1411369-1
	C	Black	5-1419167-5	–	–	–	1419171-3 8-1419170-5
		Black	5-1419167-6	–	–	–	1419171-4 8-1419170-6
	E	Black	5-1419167-7	–	–	–	1419171-5 8-1419170-7
		Black	5-1419167-8	–	–	–	1419171-6 8-1419170-8

Unsealed Pin Housings 2-Rows

Technical Features

No. of Positions:

16 (2 x 8) Positions,
Special Version with
Mounting Ears

Housing Material:

PA66 GF35

Wire Size Range:

0.22–0.75 mm²

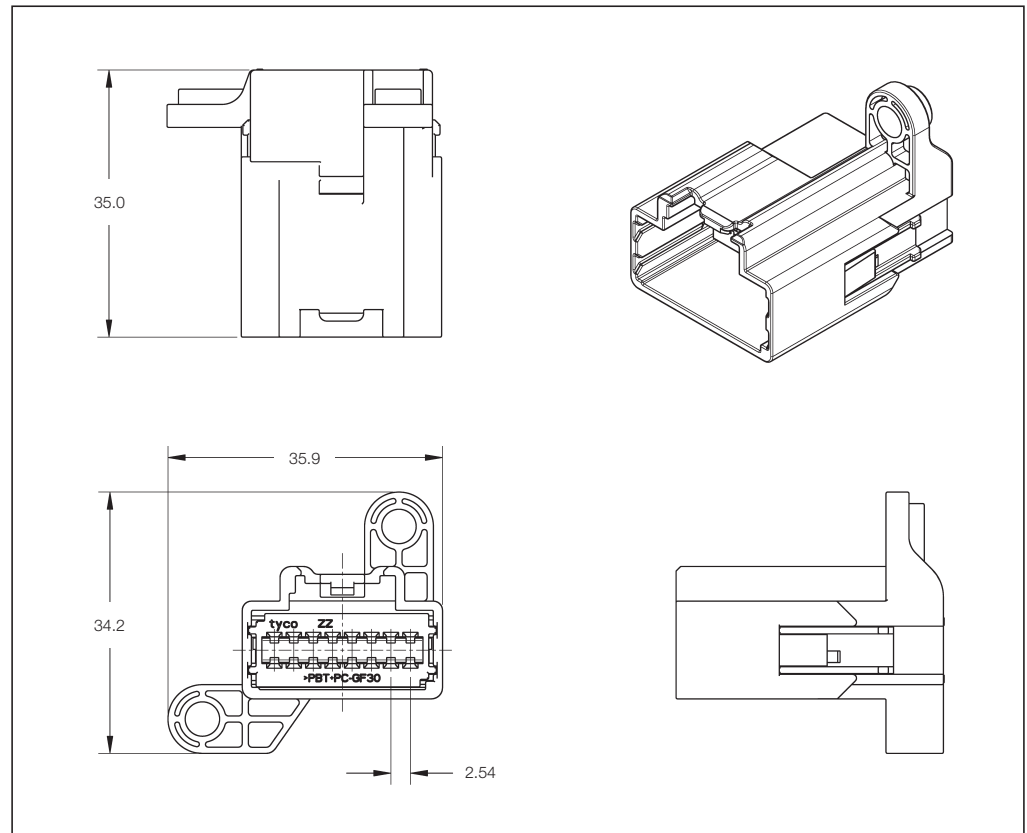
Product Specification:

114-13060

Application Specifications:

408-8955

408-8600



Unsealed Pin Housings 2-Rows

No. of Positions	Keying Options	Housing Color	Part Numbers				
			Pin Housing	Cover	Locking Device	Cover and Lever	Mating Receptacle Housing
16 (2 x 8)	A	Black	1438170-1	–	–	–	1488573-1

Unsealed Pin Housings 2-Rowss

Technical Features

No. of Positions:

22 (2 x 11) Positions

Housing Material:

PA66 GF35

Wire Size Range:

0.22–0.75 mm²

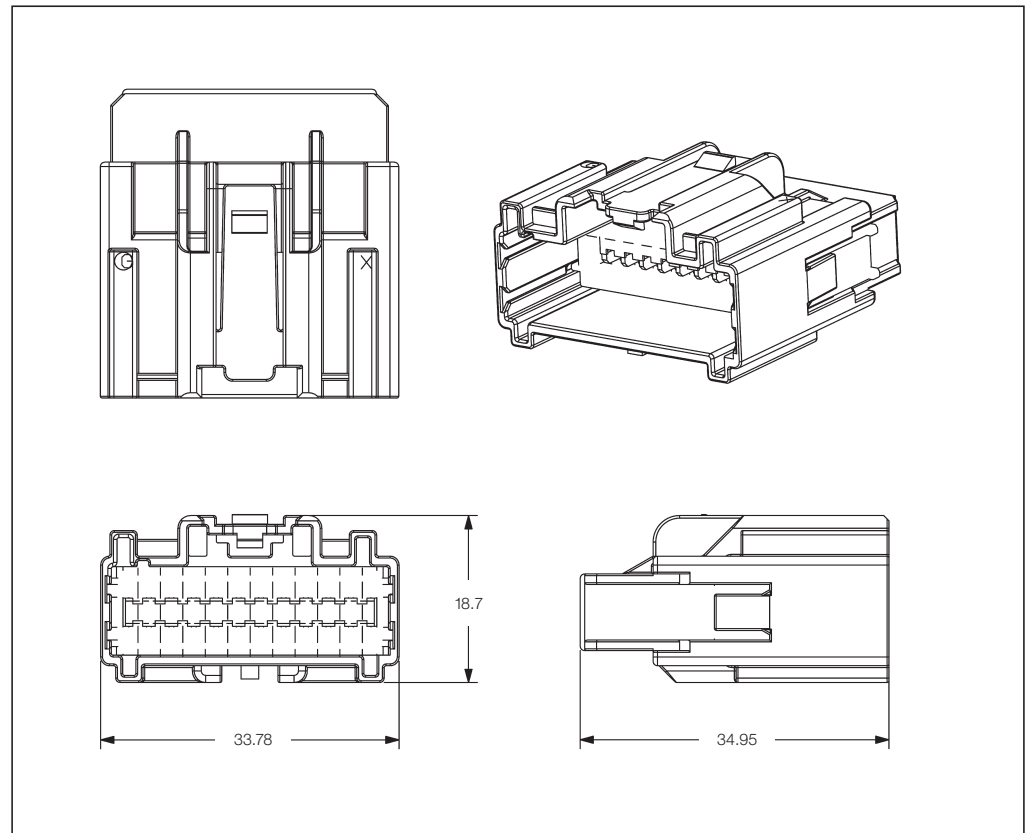
Product Specification:

114-13060

Application Specifications:

408-8955

408-8600



Unsealed Pin Housings 2-Rows

No. of Positions	Keying Options	Housing Color	Part Numbers				
			Pin Housing	Cover	Locking Device	Cover and Lever	Mating Receptacle Housing
22 (2 x 11)	A	Black	2-1419158-8	–	–	–	1-1419158-7
							1420011-1
	B	Black	2-1419158-7	–	–	–	3-1419158-0
							1420011-2
	C	Black	2-1419158-6	–	–	–	2-1419158-9
							1420011-3

Unsealed Pin Housings (Special Hybrid)

Technical Features

No. of Positions:

60 Positions Hybrid
34 x GET.64 Terminal
2 x 1.5 mm Terminal
24 x 2.8 mm Terminal

Housing Material:

PA66 GF35

Wire Size Range:

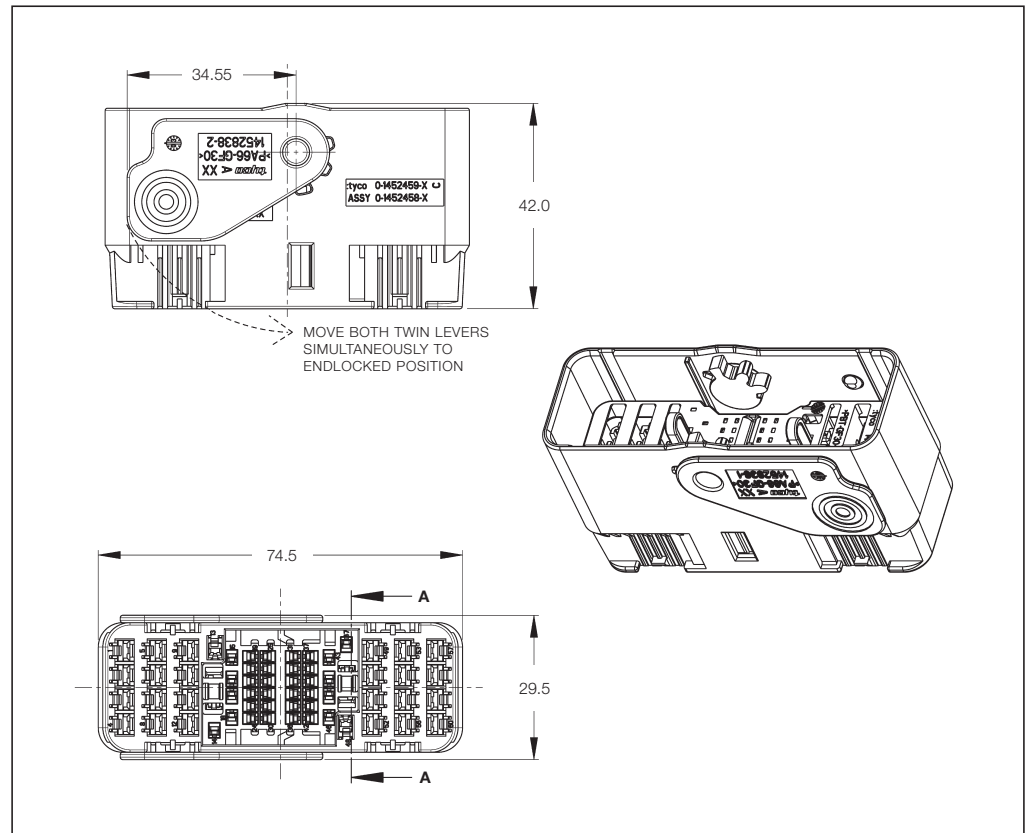
0.22–0.75 mm²

Product Specification:

108-18836

Application Specification:

114-18525



Unsealed Pin Housings (Special Hybrid)

No. of Positions	Keying Options	Housing Color	Part Numbers				
			Pin Housing	Cover	Locking Device	Cover and Lever	Mating Receptacle Housing
60	A	Black	1452458-1	1452462-3	–	–	1452454-1

Unsealed Printed Circuit Board Headers 1-Row

Technical Features

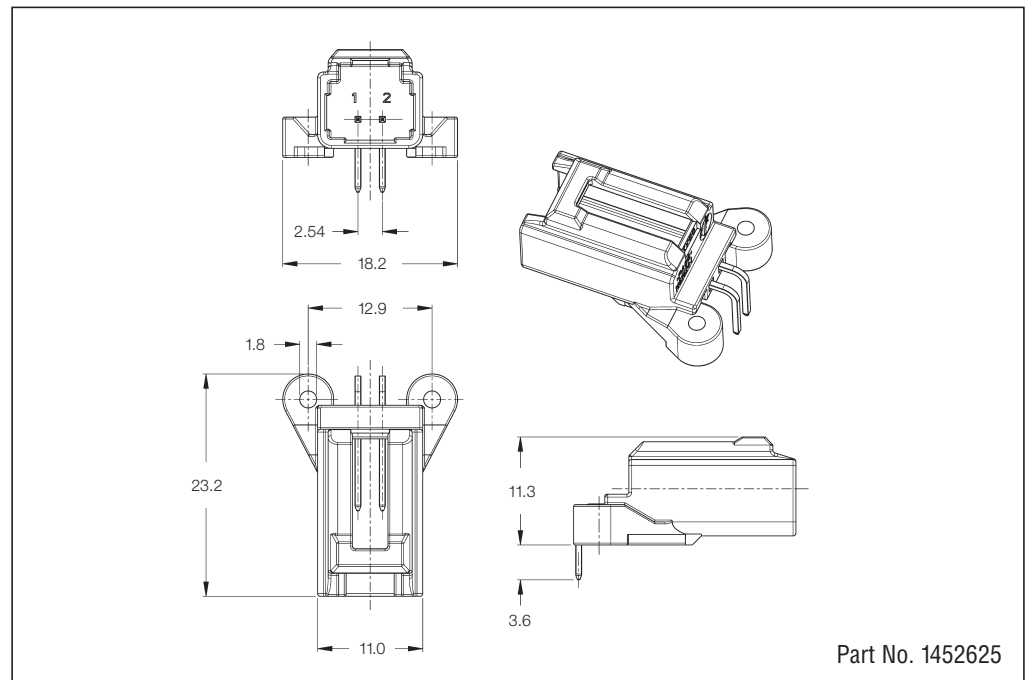
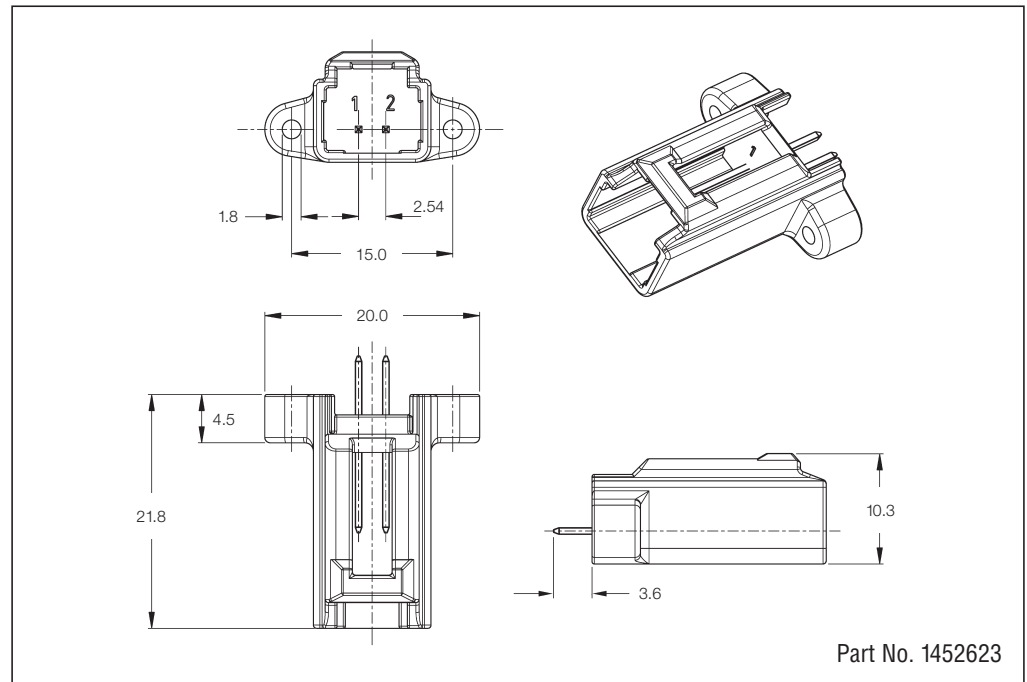
No. of Positions:
2 (1 x 2) Positions

Housing Material:
PA66 GF35

Wire Size Range:
Brass with Tin Finish

Product Specification:
—

Application Specification:
—



Unsealed Printed Circuit Board Headers 1-Row

No. of Positions	Housing Color	Part Numbers					
		PCB Header Right-Angle	PCB Header Vertical	Cover	Cover and Lever	Retainer Housing	Mating Receptacle Housing
2 (1 x 2)	Black	1452625-1	1452623-1	—	—	—	1452598-1

Note: All Part Numbers are RoHS and ELV compliant.

Unsealed Printed Circuit Board Headers 1-Row – Surface Mount Technology

Technical Features

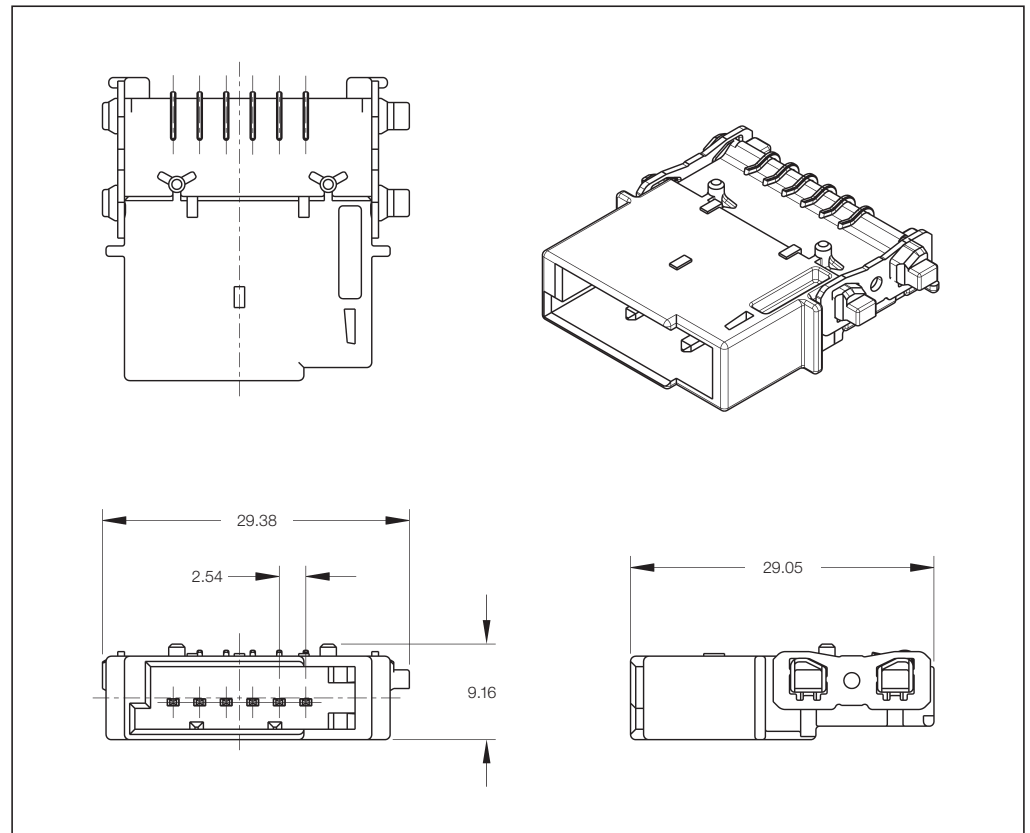
No. of Positions:
6 (1 x 6) Positions

Housing Material:
PCT GF30

Wire Size Range:
Brass with Tin Finish

Product Specification:
—

Application Specification:
114-13230



Unsealed Printed Circuit Board Headers 1-Row – Surface Mount Technology

No. of Positions	Housing Color	Part Numbers					
		PCB Header Right-Angle	PCB Header Vertical	Cover	Cover and Lever	Retainer Housing	Mating Receptacle Housing
6 (1 x 6)	Black	1927688-3	—	—	—	—	1488752-3

Note: All Part Numbers are RoHS and ELV compliant.

Sealed Receptacle Housings 1-Row

Technical Features

No. of Positions:

4 (1 x 4) Positions

Housing Material:

PA66 GF35

Wire Size Range:

0.22–0.75 mm²

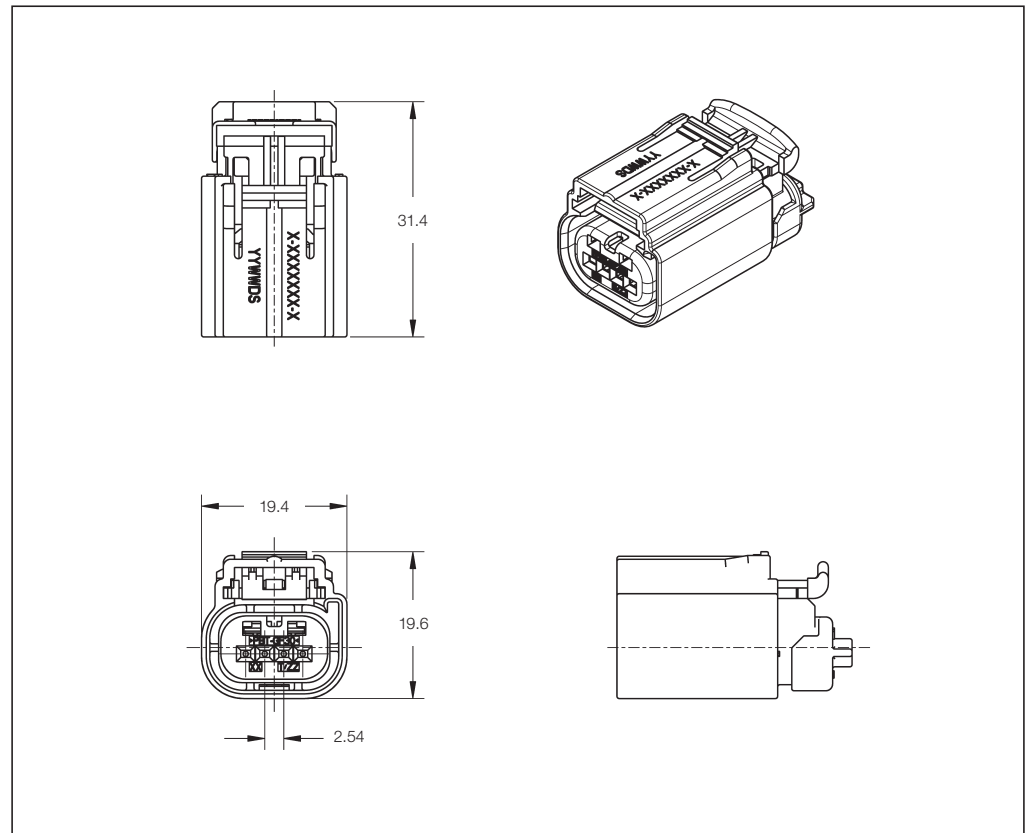
Product Specifications:

114-13150

114-13060

Application Specification:

408-8598



Sealed Receptacle Housings 1-Row with CPA

No. of Positions	Keying Options	Housing Color	Part Numbers						
			Receptacle Housing	Cover	Locking Device	Cover and Lever	Mating Pin Housing	Mating PCB Header Right-Angle	Mating PCB Header Vertical
4 (1 x 4)	A	Gray	9-1419167-8	–	–	–	–	–	–
	B	Gray	9-1419167-9	–	–	–	–	–	–
			1719256-1	–	–	–	–	–	–
	A with 2 blocked	Gray	1438188-1	–	–	–	–	–	–

Sealed Receptacle Housings 1-Row without CPA

No. of Positions	Keying Options	Housing Color	Part Numbers						
			Receptacle Housing	Cover	Locking Device	Cover and Lever	Mating Pin Housing	Mating PCB Header Right-Angle	Mating PCB Header Vertical
4 (1 x 4)	A	Gray	9-1419167-0	–	–	–	–	–	–
	B	Gray	9-1419167-1	–	–	–	–	–	–
	A with 1 blocked	Gray	9-1419167-5	–	–	–	–	–	–

Sealed Receptacle Housings 1-Row

Technical Features

No. of Positions:

6 (1 x 6) Positions

Housing Material:

PA66 GF35

Wire Size Range:

0.22–0.75 mm²

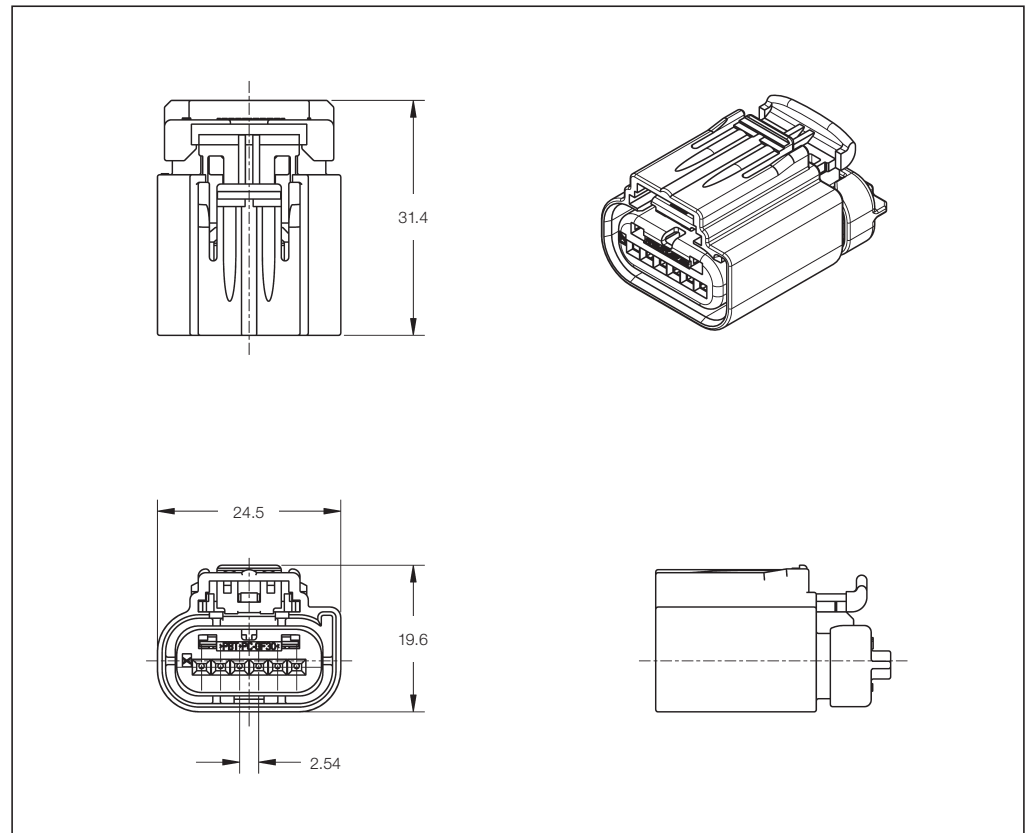
Product Specifications:

114-13150

114-13060

Application Specification:

408-8598



Sealed Receptacle Housings 1-Row with CPA

No. of Positions	Keying Options	Housing Color	Part Numbers						
			Receptacle Housing	Cover	Locking Device	Cover and Lever	Mating Pin Housing	Mating PCB Header Right-Angle	Mating PCB Header Vertical
6 (1 x 6)	A	Black	1-1419168-1						
	B	Black	1-1419168-2	-	-	-	-	-	-
	C	Black	1-1419168-3	-	-	-	-	-	-
	D	Black	1-1419168-4	-	-	-	-	-	-
	A	Black	1438153-4	-	-	-	-	-	-
	with 1 blocked with 2 blocked		1438153-1	-	-	-	-	-	-
	B	Black	1438153-6	-	-	-	-	-	-
	with 1 blocked with 2 blocked		1438153-5	-	-	-	-	-	-
	with 3 blocked		1438153-2	-	-	-	-	-	-

Sealed Receptacle Housings 1-Row without CPA

No. of Positions	Keying Options	Housing Color	Part Numbers						
			Receptacle Housing	Cover	Locking Device	Cover and Lever	Mating Pin Housing	Mating PCB Header Right-Angle	Mating PCB Header Vertical
6 (1 x 6)	A	Black	1419168-7						
	B	Black	1419168-8	-	-	-	-	-	-
	C	Black	1419168-9	-	-	-	-	-	-
	D	Black	1-1419168-0	-	-	-	-	-	-
	A	Black	1438153-3	-	-	-	-	-	-
	with 1 blocked			-	-	-	-	-	-
	B	Black	1438153-7	-	-	-	-	-	-
	with 2 blocked			-	-	-	-	-	-

Sealed Receptacle Housings 2-Rows

Technical Features

No. of Positions:

8 (2 x 4) Positions Assy

Housing Material:

PA66 GF35

Wire Size Range:

0.22–0.75 mm²

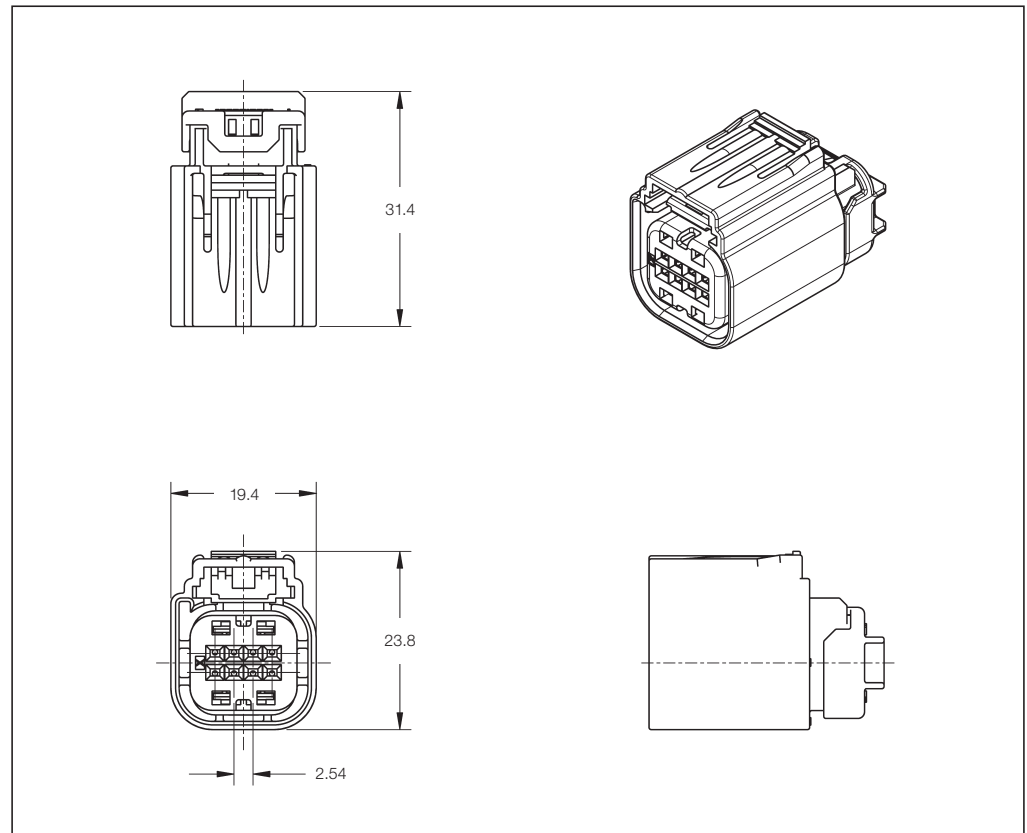
Product Specifications:

114-13150

114-13060

Application Specification:

408-8598



Sealed Receptacle Housings 2-Row with CPA

No. of Positions	Keying Options	Housing Color	Part Numbers						
			Receptacle Housing	Cover	Locking Device	Cover and Lever	Mating Pin Housing	Mating PCB Header Right-Angle	Mating PCB Header Vertical
8 (2 x 4)	A	Black	3-1419168-4						
	B	Black	3-1419168-5	-	-	-	-	-	-
	C	Black	3-1419168-6						
	D	Black	3-1419168-7						

Sealed Receptacle Housings 2-Row without CPA

No. of Positions	Keying Options	Housing Color	Part Numbers						
			Receptacle Housing	Cover	Locking Device	Cover and Lever	Mating Pin Housing	Mating PCB Header Right-Angle	Mating PCB Header Vertical
8 (2 x 4)	A	Black	2-1419168-1						
	B	Black	1411001-1						
	C	Black	2-1419168-3						
	D	Black	2-1419168-4						
	B with 2 blocked	Black	1411001-2						

Sealed Receptacle Housings 2-Rows

Technical Features

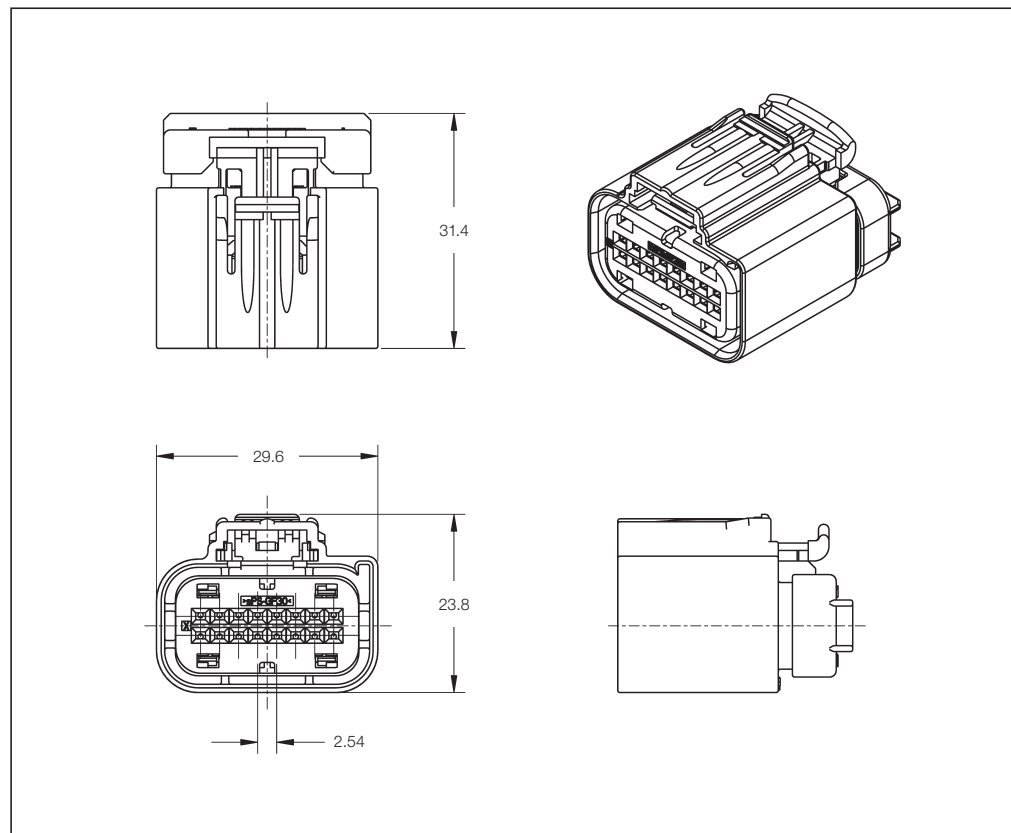
No. of Positions:
16 (2 x 8) Positions Assy

Housing Material:
PA66 GF35

Wire Size Range:
0.22–0.75 mm²

Product Specifications:
114-13150
114-13060

Application Specification:
408-8598



Sealed Receptacle Housings 2-Row with CPA

No. of Positions	Keying Options	Housing Color	Part Numbers						
			Receptacle Housing	Cover	Locking Device	Cover and Lever	Mating Pin Housing	Mating PCB Header Right-Angle	Mating PCB Header Vertical
18 (2 x 9)	A	Black	5-1419168-8	-	-	-	-	-	-
	B	Black	5-1419168-9	-	-	-	-	-	-
	A with 7 blocked with 8 blocked	Black	1438031-5	-	-	-	-	-	-
			1438031-6	-	-	-	-	-	-

Sealed Receptacle Housings 2-Row without CPA

No. of Positions	Keying Options	Housing Color	Part Numbers						
			Receptacle Housing	Cover	Locking Device	Cover and Lever	Mating Pin Housing	Mating PCB Header Right-Angle	Mating PCB Header Vertical
16 (2 x 8)	A	Black	1438031-1	-	-	-	-	-	-
	B	Black	1438031-2	-	-	-	-	-	-
	C	Black	1438031-3	-	-	-	-	-	-
	D	Black	1438031-4	-	-	-	-	-	-

Sealed Receptacle Housings 2-Rows

Technical Features

No. of Positions:

18 (2 x 9) Positions Assy without CPA

Housing Material:

PA66 GF35

Wire Size Range:

0.22–0.75 mm²

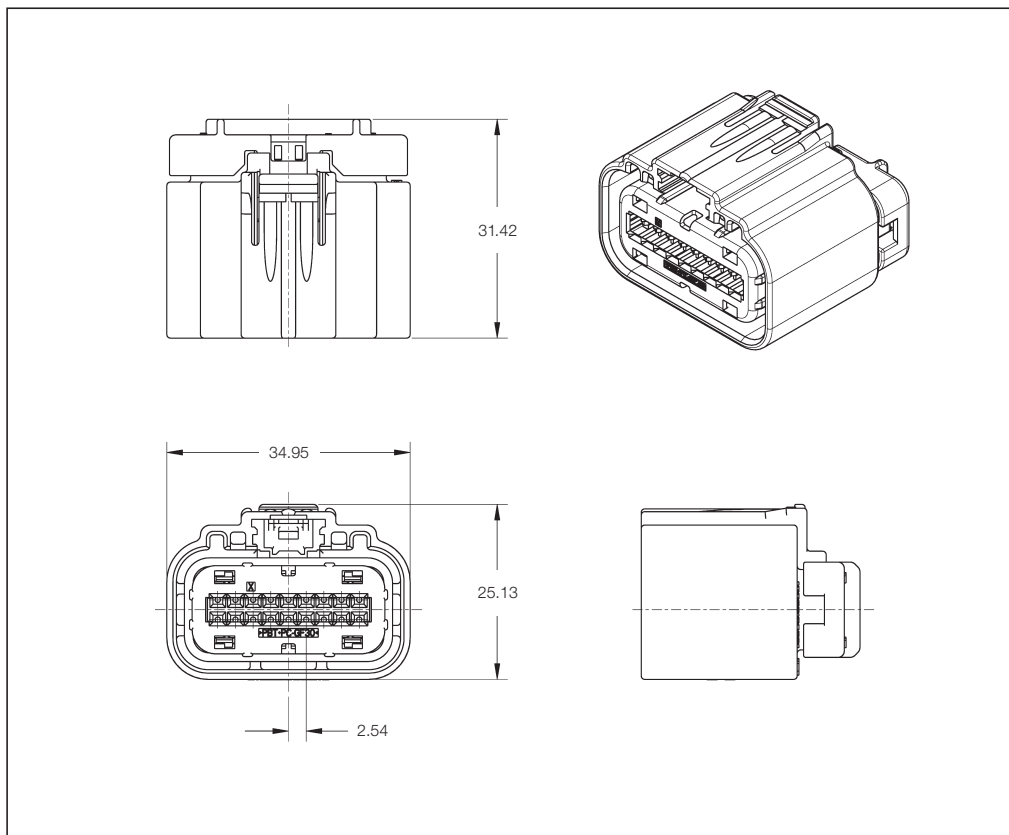
Product Specifications:

114-13150

114-13060

Application Specification:

408-8598



Sealed Receptacle Housings 2-Row

No. of Positions	Keying Options	Housing Color	Part Numbers						
			Receptacle Housing	Cover	Locking Device	Cover and Lever	Mating Pin Housing	Mating PCB Header Right-Angle	Mating PCB Header Vertical
18 (2 x 9)	A	Black	1488533-5						
	B	Black	1488533-6	-	-	-	-	-	-
	C	Black	1488533-7						
	D	Black	1488533-8						
	A	Black	1-1438533-3						
	with 2 blocked		1-1438533-4						
	with 3 blocked		1-1438533-7	-	-	-	-	-	-
	with 5 blocked		1438533-9						
	with 8 blocked		1-1488533-9						
	with 9 blocked		2-1438533-1						
with 13 blocked									

Sealed Receptacle Housings 4-Rows with CPA

Technical Features

No. of Positions:

20 Positions Assy
(depop 24 pos.)
with 5 Shorting Bars

Housing Material:

PA66 GF35

Wire Size Range:

0.22–0.75 mm²

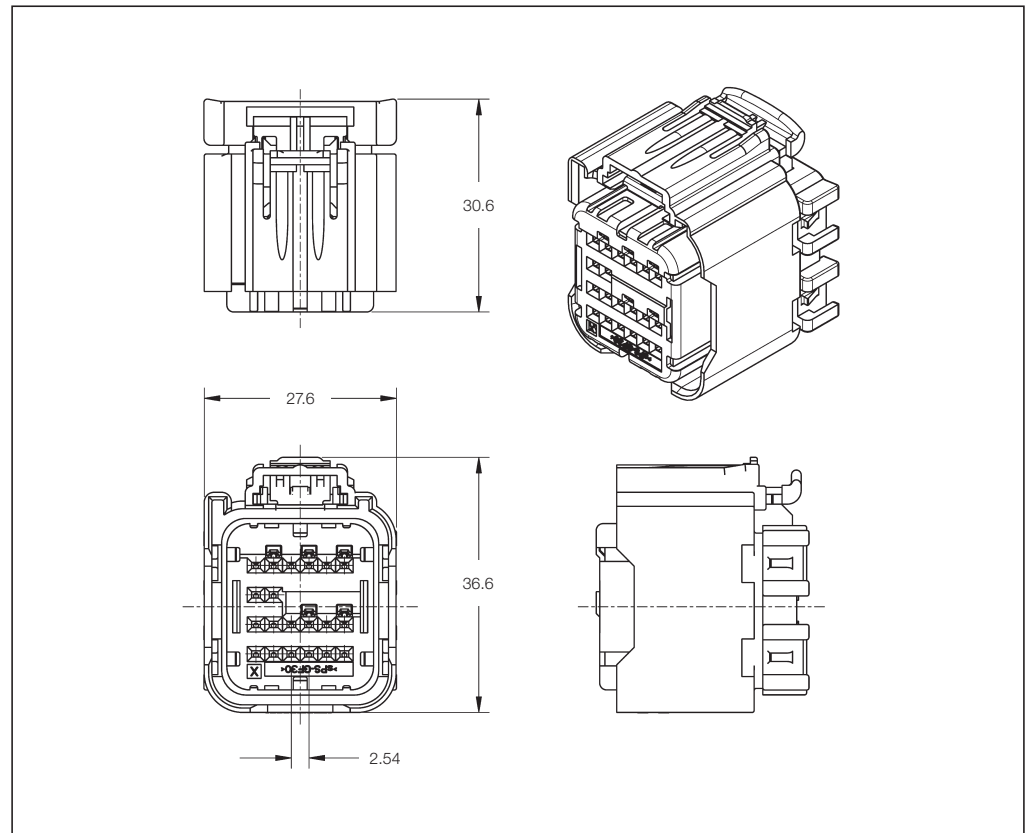
Product Specifications:

114-13150

114-13060

Application Specification:

408-8598



Sealed Receptacle Housings 4-Rows with CPA

No. of Positions	Keying Options	Housing Color	Part Numbers						
			Receptacle Housing	Cover	Locking Device	Cover and Lever	Mating Pin Housing	Mating PCB Header Right-Angle	Mating PCB Header Vertical
20	A	see Customer Drawing	1924672-1 / -9						
			1-1924672-0 / -9						
			2-1924672-0 / -7	-	-	-	-	8-1419157-9	-
			2-1924672-9						
			3-1924672-2 / -7						
	B	see Customer Drawing	2-1924672-8						
			3-1924672-0					1438322-3	-

Sealed Receptacle Housings 4-Rows without CPA

Technical Features

No. of Positions:

20 Positions Assy
(depop 24 pos.)
with 5 Shorting Bars

Housing Material:

PA66 GF35

Wire Size Range:

0.22–0.75 mm²

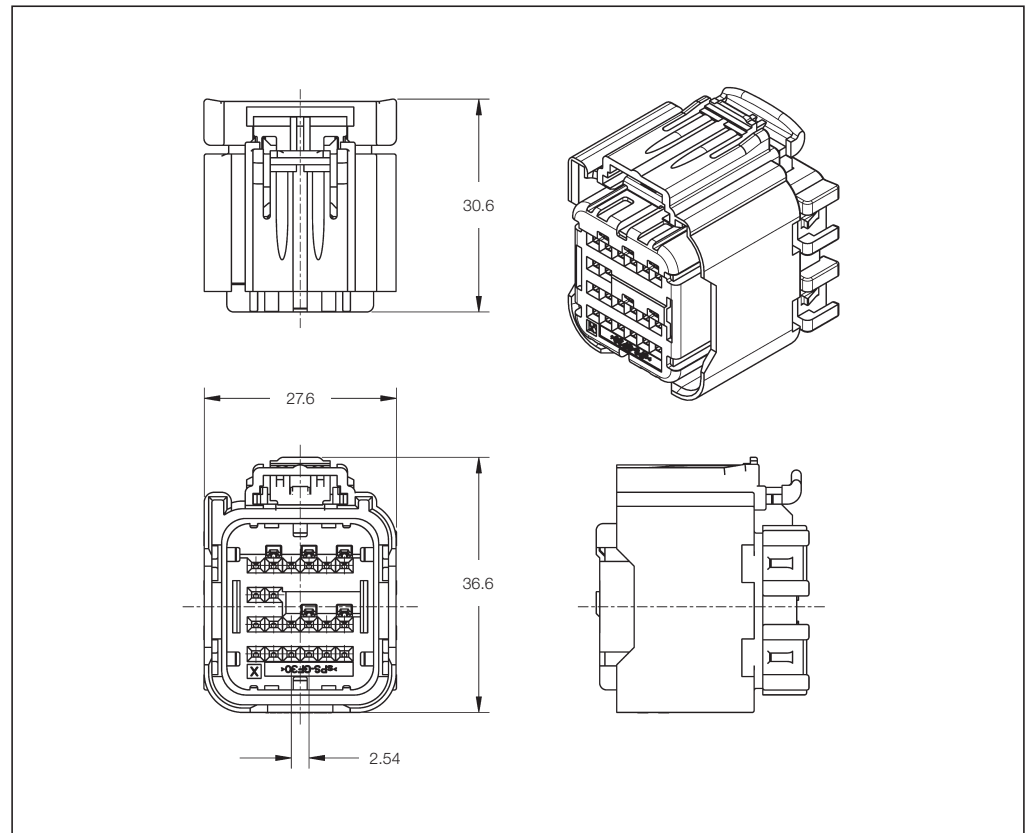
Product Specifications:

114-13150

114-13060

Application Specification:

408-8598



Sealed Receptacle Housings 4-Rows without CPA

No. of Positions	Keying Options	Housing Color	Part Numbers						
			Receptacle Housing	Cover	Locking Device	Cover and Lever	Mating Pin Housing	Mating PCB Header Right-Angle	Mating PCB Header Vertical
20	A	see Customer Drawing	1924670-1 / -9						
			1-1924670-0 / -9						
			2-1924670-0 / -9						
			3-1924670-0 / -9	-	-	-	-	8-1419157-9	-
			4-1924670-0 / -9						
			5-1924670-0 / -9						
			6-1924670-0 / -6						
	B	see Customer Drawing	1924671-1 / -8	-	-	-	-	1438322-3	-
	C	see Customer Drawing	1924680-1	-	-	-	-	1438522-1	-
	D	see Customer Drawing	1924681-1	-	-	-	-	1438522-6	-
							1438522-7	-	
							1438522-8	-	

Sealed Receptacle Housings 4-Rows

Technical Features

No. of Positions:

24 Positions Assy
with selectively loaded
Shorting Bars

Housing Material:

PA66 GF35

Wire Size Range:

0.22–0.75 mm²

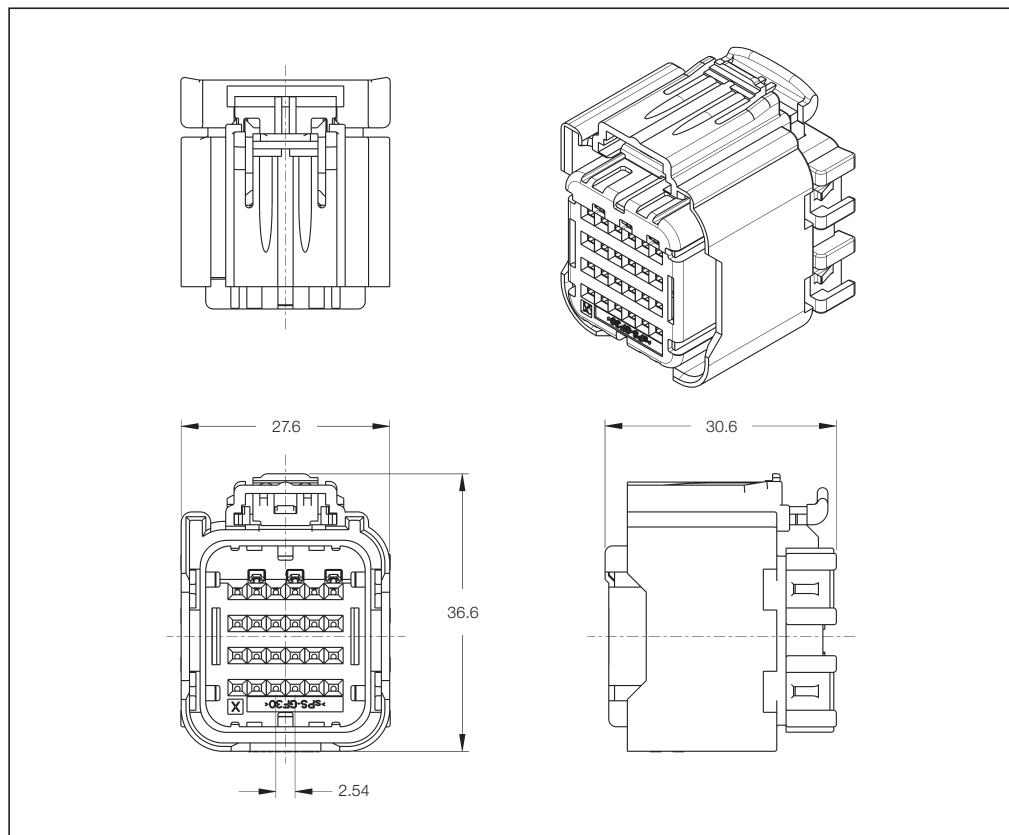
Product Specifications:

114-13150

114-13060

Application Specification:

408-8598



Sealed Receptacle Housings 4-Rows with CPA

No. of Positions	Keying Options	Housing Color	Part Numbers							
			Receptacle Housing	Cover	Locking Device	Cover and Lever	Mating Pin Housing	Mating PCB Header Right-Angle	Mating PCB Header Vertical	
24	A	see Customer Drawing	1924675-1 / -9 1-1924675-0 / -4	-	-	-	-	-	1456777-1 / -2	-

Sealed Receptacle Housings 4-Rows without CPA

No. of Positions	Keying Options	Housing Color	Part Numbers							
			Receptacle Housing	Cover	Locking Device	Cover and Lever	Mating Pin Housing	Mating PCB Header Right-Angle	Mating PCB Header Vertical	
24	A	see Customer Drawing	1924674-1 / -9 1-1924674-0 / -2	-	-	-	-	-	1456777-1 / -2	-

Sealed Receptacle Housings 4-Rows

Technical Features

No. of Positions:

24 Positions Assy
without Shorting Bars
without CPA

Housing Material:

PA66 GF35

Wire Size Range:

0.22–0.75 mm²

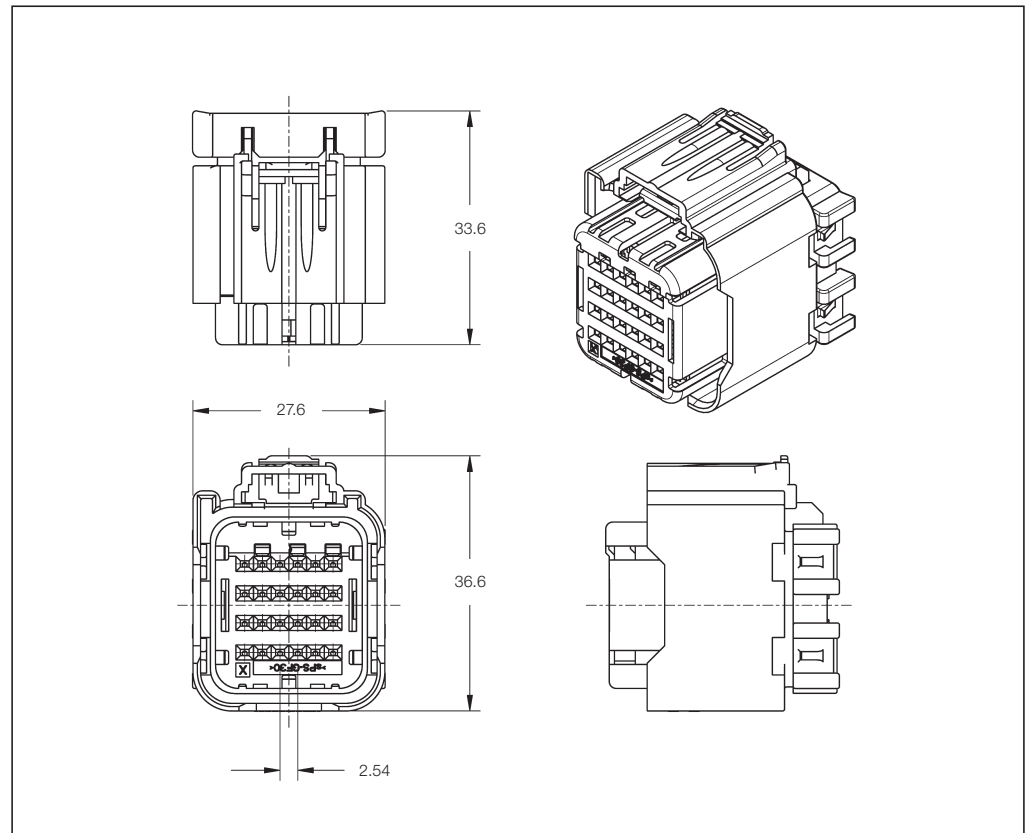
Product Specifications:

114-13150

114-13060

Application Specification:

408-8598



Sealed Receptacle Housings 4-Rows without CPA

No. of Positions	Keying Options	Housing Color	Part Numbers							
			Receptacle Housing	Cover	Locking Device	Cover and Lever	Mating Pin Housing	Mating PCB Header Right-Angle	Mating PCB Header Vertical	
24	A	see Customer Drawing	3-1417171-9	-	-	-	-	-	1456777-1 / -2	-
			7-1419157-9							
			1438103-1 / -9							
			1-1438103-0 / -7							
	B	see Customer Drawing	4-1419171-0	-	-	-	-	-	-	-
			1438095-2 / -9							
			1-1438095-0 / -9							
	C	see Customer Drawing	2-1438095-0 / -3	-	-	-	-	-	-	-
			4-1419171-1							
			1438096-2 / -9							
	D	see Customer Drawing	1-1438096-0 / -4	-	-	-	-	-	-	-
			1438356-1 / -9							
	E	see Customer Drawing	1-1438356-0 / -2	-	-	-	-	-	-	-
			1438582-1							
			1438582-2							
	F	see Customer Drawing	1438582-3	-	-	-	-	-	-	-
			1438583-1							
			1438583-2							
				1438583-3						

Sealed Receptacle Housings – Multiple Rows

Technical Features

No. of Positions:

30 Positions Assy
22 x GET.64 Terminal
8 x 1.5 mm Terminal
with Lever

Housing Material:

PA66 GF35

Wire Size Range:

0.22–0.75 mm²

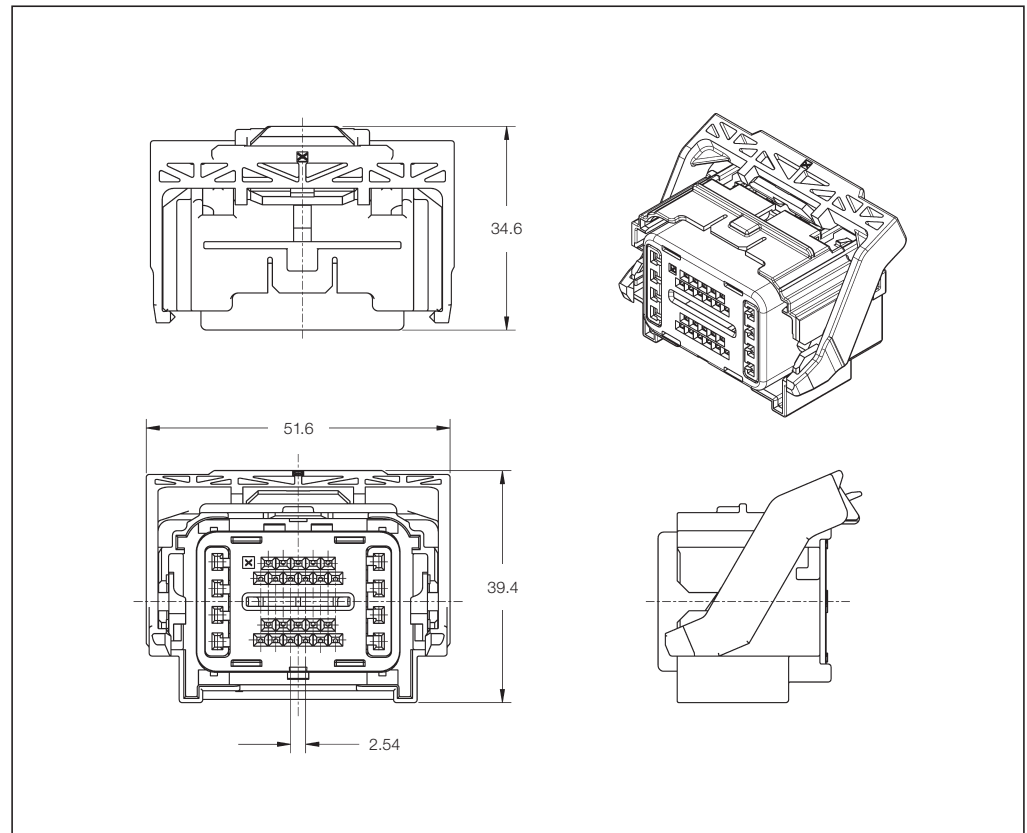
Product Specifications:

114-13150

114-13060

Application Specification:

408-8598



Sealed Receptacle Housings – Multiple Rows

No. of Positions	Keying Options	Housing Color	Part Numbers						
			Receptacle Housing	Cover	Locking Device	Cover and Lever	Mating Pin Housing	Mating PCB Header Right-Angle	Mating PCB Header Vertical
30	A	Black	1438083-1	-	-	-	-	-	1438087-1

Sealed Receptacle Housings 4-Rows

Technical Features

No. of Positions:

38 Positions Assy
(depop 40 pos.)
with 6 Shorting Bars

Housing Material:

PA66 GF35

Wire Size Range:

0.22–0.75 mm²

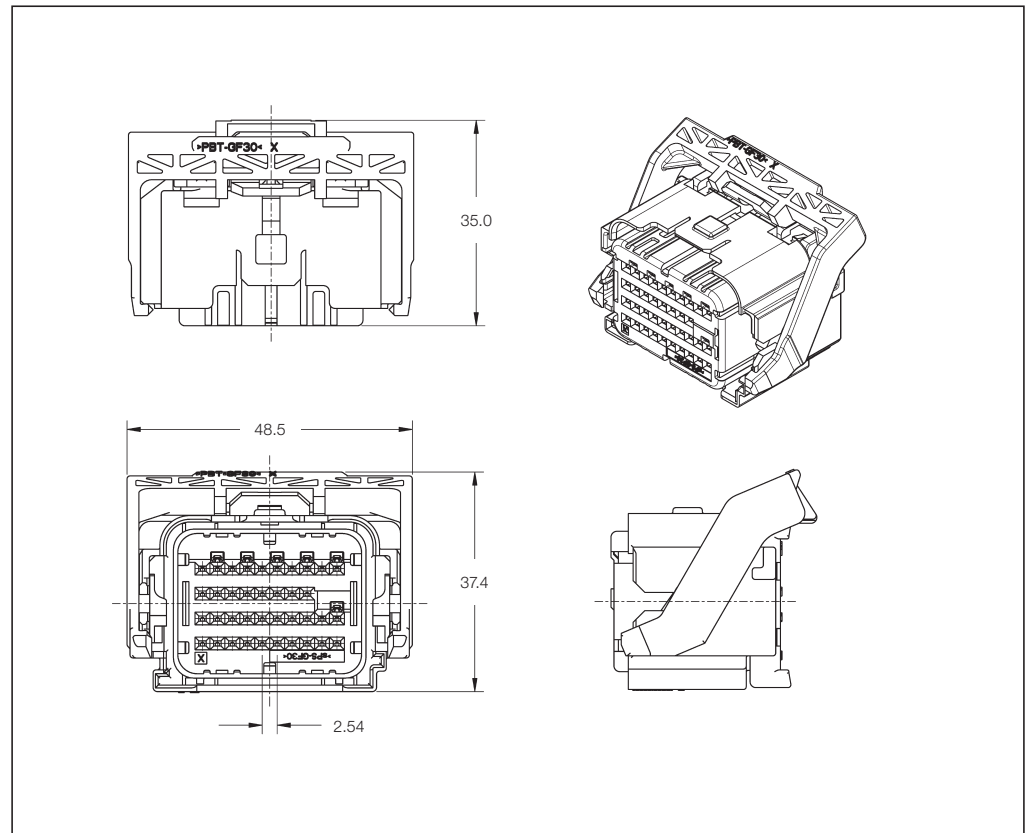
Product Specifications:

114-13150

114-13060

Application Specification:

408-8598



Sealed Receptacle Housings 4-Rows with Standard Lever

No. of Positions	Keying Options	Housing Color	Part Numbers							
			Receptacle Housing	Cover	Locking Device	Cover and Lever	Mating Pin Housing	Mating PCB Header Right-Angle	Mating PCB Header Vertical	
38	G	see Customer Drawing	7-1419157-9							
			8-1419157-0 / -6	-	-	-	-	-	-	-
			1438090-1 / -9							
			1-1438090-0 / -9							
			2-1438090-0 / -9							
			3-1438090-0 / -9							
			4-1438090-0 / -9	-	-	-	-	8-1419157-9	-	
			5-1438090-0 / -9							
			6-1438090-0 / -9							
			7-1438090-0 / -9							
			8-1438090-0 / -9							
			9-1438090-0 / -9							
			1456897-1 / -9							
			H	Black	1488339-1	-	-	-	-	1438322-3
J	Black	1438485-1	-	-	-	-	1438522-6	-		
K	Black	1438486-1	-	-	-	-	1438522-7	-		

Sealed Receptacle Housings 4-Rows

Technical Features

No. of Positions:

38 Positions Assy
(depop 40 pos.)
with 6 Shorting Bars

Housing Material:

PA66 GF35

Wire Size Range:

0.22–0.75 mm²

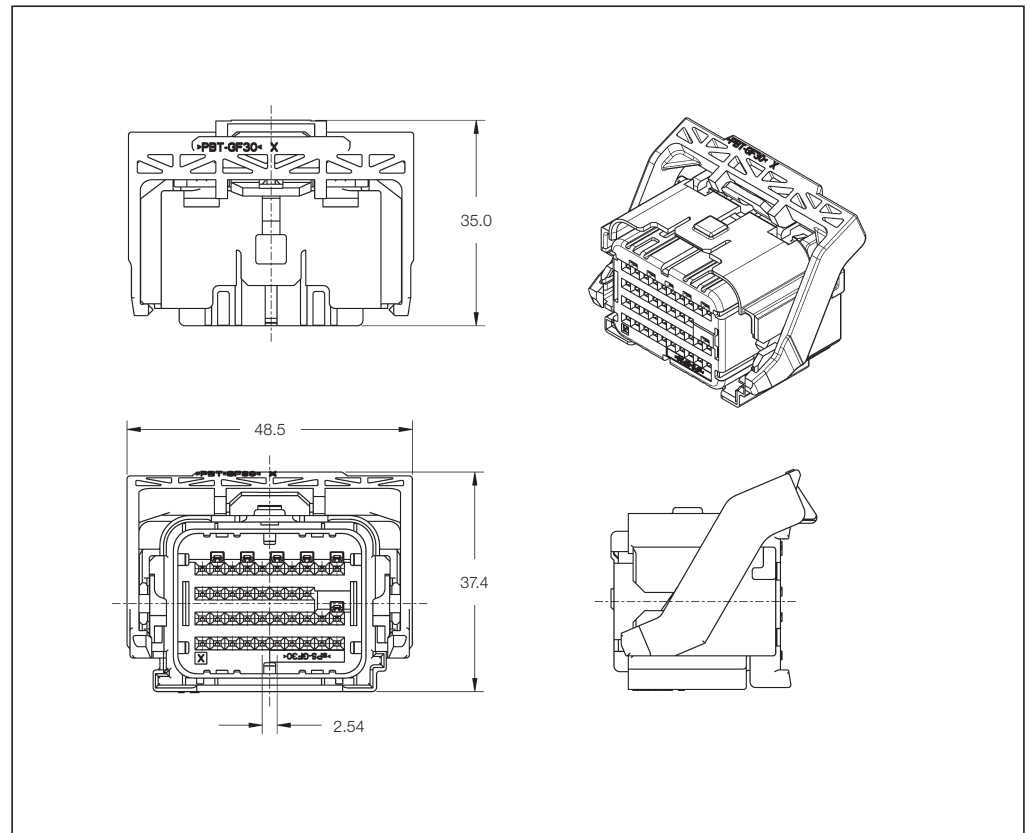
Product Specifications:

114-13150

114-13060

Application Specification:

408-8598



Sealed Receptacle Housings 4-Rows with Low Profile Lever

No. of Positions	Keying Options	Housing Color	Part Numbers						
			Receptacle Housing	Cover	Locking Device	Cover and Lever	Mating Pin Housing	Mating PCB Header Right-Angle	Mating PCB Header Vertical
38	G	see Customer Drawing	1438397-1 / -9	-	-	-	-	8-1419157-9	-
			1-1438397-0 / -3						
	H	see Customer Drawing	1438982-1 / -9						
			1-1438982-0 / -9	-	-	-	-	1438322-3	-
			2-1438982-0 / -2						

Sealed Receptacle Housings 4-Rows

Technical Features

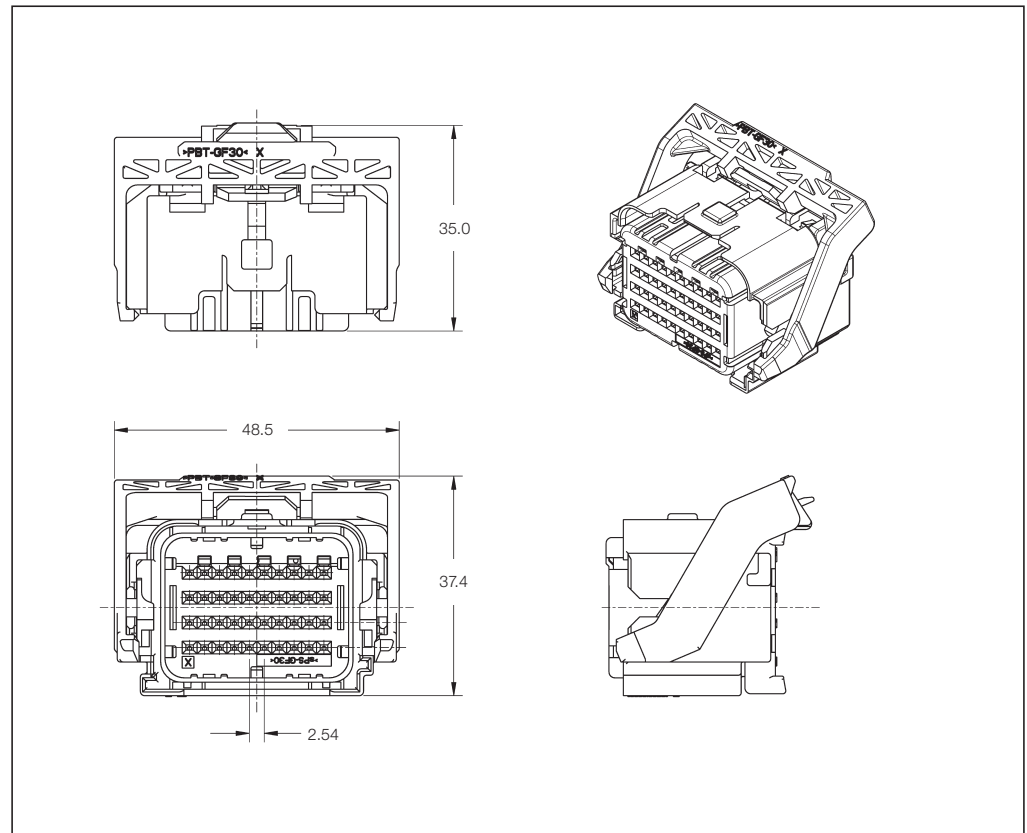
No. of Positions:
40 Positions Assy
without Shorting Bars
with Lever

Housing Material:
PA66 GF35

Wire Size Range:
0.22–0.75 mm²

Product Specifications:
114-13150
114-13060

Application Specification:
408-8598



Sealed Receptacle Housings 4-Row with Standard Lever

No. of Positions	Keying Options	Housing Color	Part Numbers						
			Receptacle Housing	Cover	Locking Device	Cover and Lever	Mating Pin Housing	Mating PCB Header Right-Angle	Mating PCB Header Vertical
40	G	Black	1438617-1	-	-	-	-	-	-
			1438098-1 / -9						
	H	see Customer Drawing	1-1438098-0 / -9	-	-	-	-	1456777-2	-
			2-1438098-0 / -5						
	J	see Customer Drawing	1438099-1 / -9						
			1-1438099-0 / -9						
			2-1438099-0 / -9	-	-	-	-	1456777-1	-
			3-1438099-0						
				3-1438099-1					
	K	Black	1438679-1	-	-	-	-	-	-
	L	see Customer Drawing	1438435-1 / -9	-	-	-	-	-	-

Sealed Receptacle Housings 4-Rows

Technical Features

No. of Positions:

40 Positions Assy
without Shorting Bars
with Lever

Housing Material:

PA66 GF35

Wire Size Range:

0.22–0.75 mm²

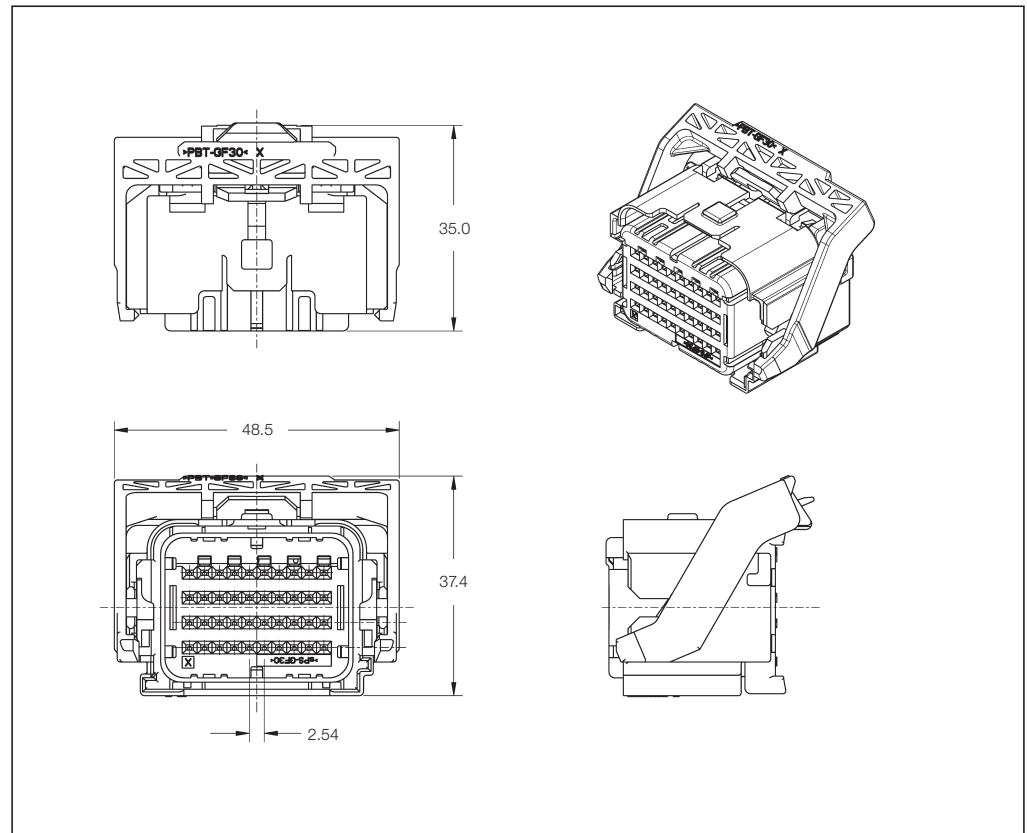
Product Specifications:

114-13150

114-13060

Application Specification:

408-8598



Sealed Receptacle Housings 4-Row with Low Profile Lever

No. of Positions	Keying Options	Housing Color	Part Numbers						
			Receptacle Housing	Cover	Locking Device	Cover and Lever	Mating Pin Housing	Mating PCB Header Right-Angle	Mating PCB Header Vertical
40	H	see Customer Drawing	2098034-1	-	-	-	-	1456777-2	-
			1924513-1 / -9						
	J	see Customer Drawing	1-1924513-0 / -9	-	-	-	-	1456777-1	-
			2-1924513-0 / -9						
			3-1924513-0 / -5						

Sealed Receptacle Housings – Multiple Rows

Technical Features

No. of Positions:

46 Positions Assy
38 x GET.64 Terminal
8 x 1.5 mm Terminal
with Lever

Housing Material:

PA66 GF35

Wire Size Range:

0.22–0.75 mm²

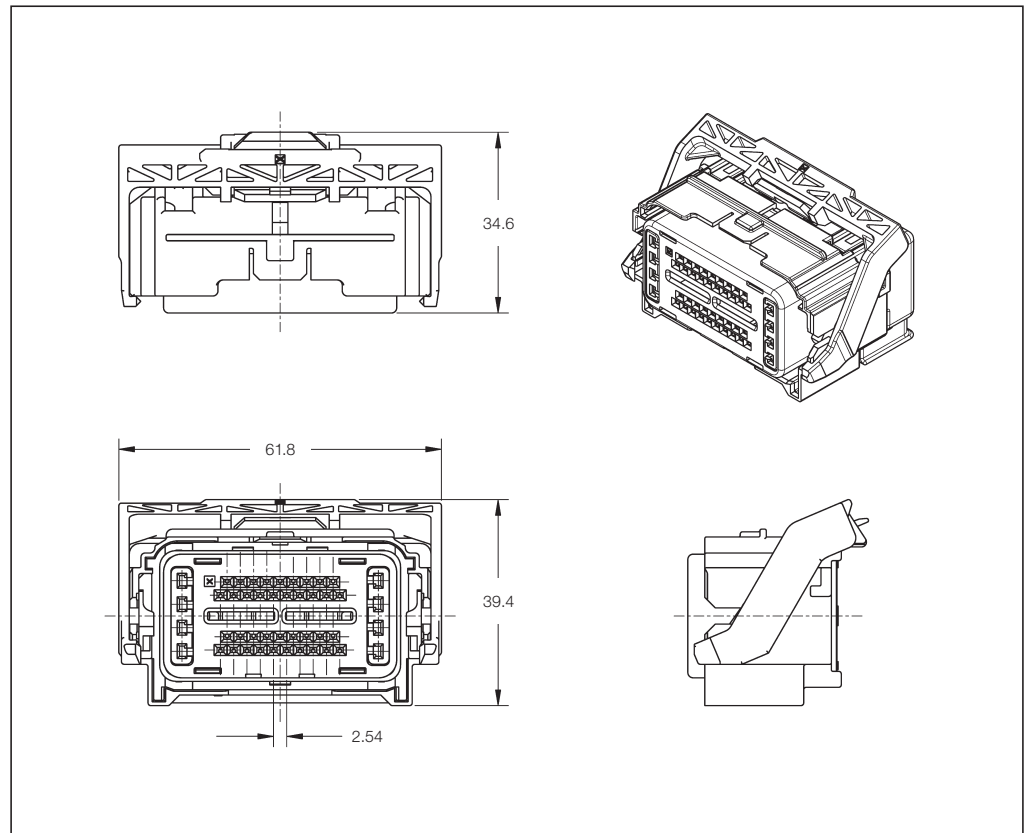
Product Specifications:

114-13150

114-13060

Application Specification:

408-8598



Sealed Receptacle Housings – Multiple Rows

No. of Positions	Keying Options	Housing Color	Part Numbers						
			Receptacle Housing	Cover	Locking Device	Cover and Lever	Mating Pin Housing	Mating PCB Header Right-Angle	Mating PCB Header Vertical
46	A	Black	1438082-1	–	–	–	–	–	1438086-1
	B	Black	1438082-2	–	–	–	–	–	1438088-1 1438087-2

Sealed Receptacle Housings – Multiple Rows

Technical Features

No. of Positions:

50 Positions Assy
46 x GET.64 Terminal
4 x 1.5 mm Terminal
with Lever

Housing Material:

PA66 GF35

Wire Size Range:

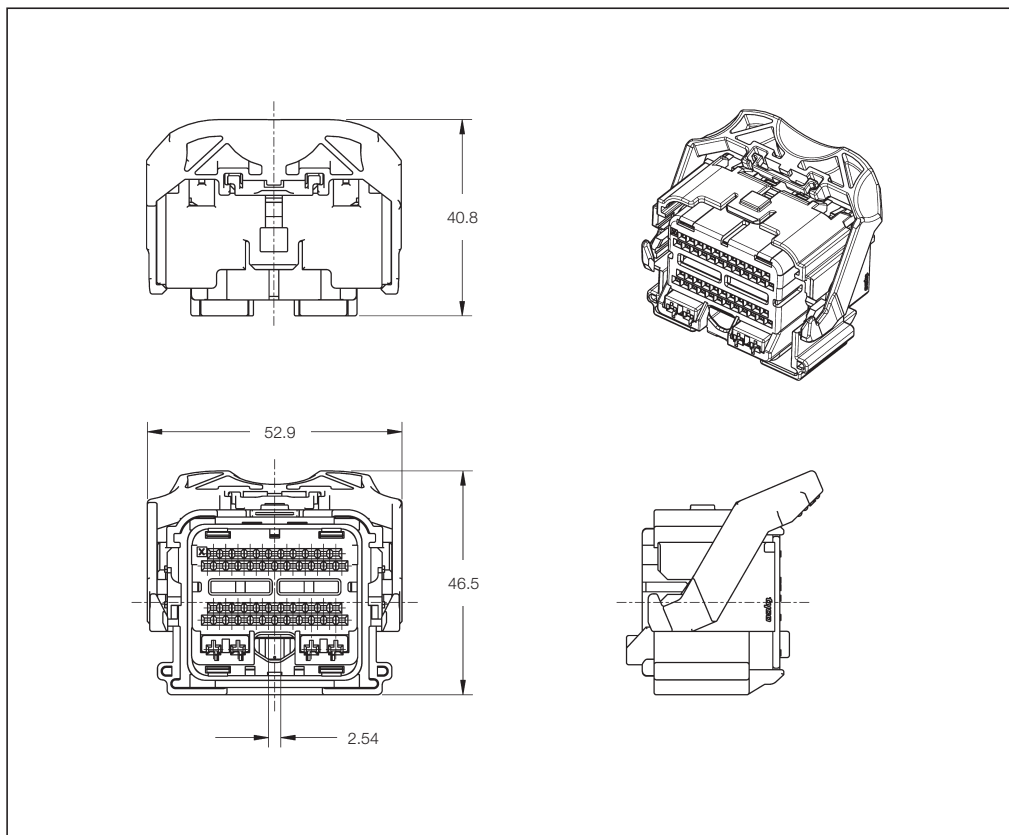
0.22–0.75 mm²

Product Specification:

114-13060

Application Specification:

408-8598



Sealed Receptacle Housings – Multiple Rows

No. of Positions	Keying Options	Housing Color	Part Numbers							
			Receptacle Housing	Cover	Locking Device	Cover and Lever	Mating Pin Housing	Mating PCB Header Right-Angle	Mating PCB Header Vertical	
50	A	Black	1438129-1	–	–	–	–	–	1438139-1	–
	B	Black	1438129-2	–	–	–	–	–	–	1438063-1
	C	Black	1438129-3	–	–	–	–	–	–	–

Sealed Receptacle Housings – Multiple Rows

Technical Features

No. of Positions:

60 Positions Assy with Lever

Housing Material:

PBT GF30

Wire Size Range:

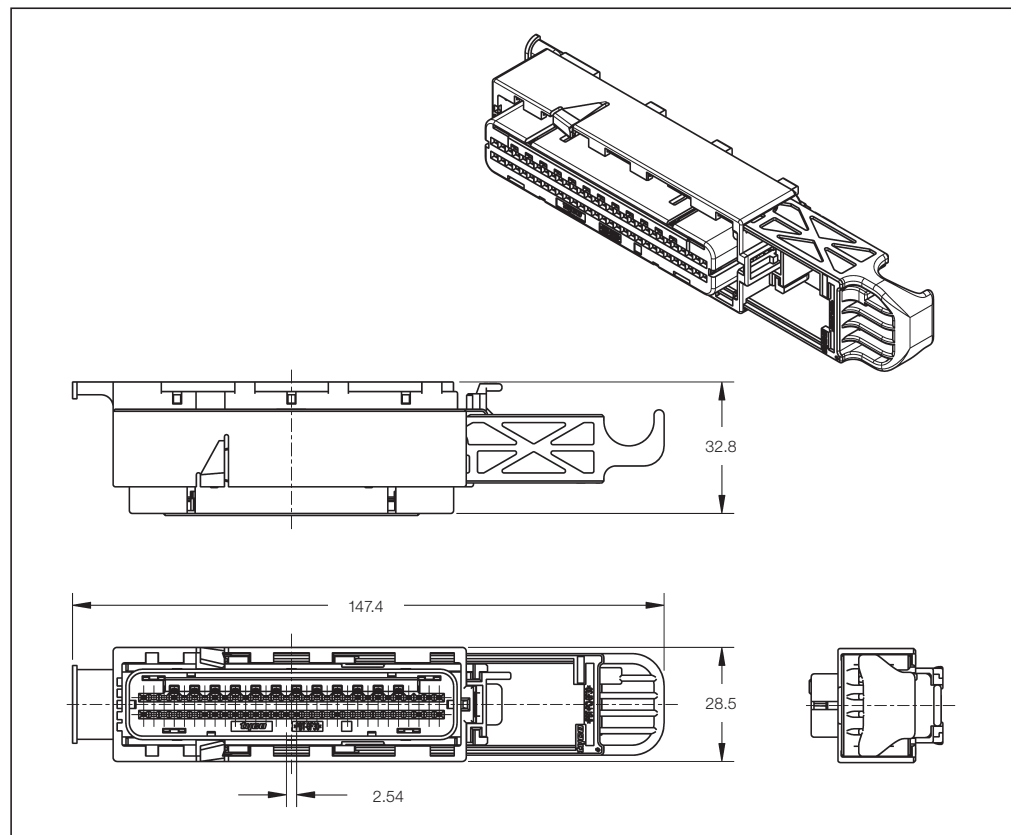
0.22–0.75 mm²

Product Specification:

114-13060

Application Specification:

408-8794



Sealed Receptacle Housings – Multiple Rows with Shorting Bars

No. of Positions	Keying Options	Housing Color	Part Numbers						
			Receptacle Housing	Cover	Locking Device	Cover and Lever	Mating Pin Housing	Mating PCB Header Right-Angle	Mating PCB Header Vertical
60	Key 1	Yellow	638595-1	–	–	–	–	638623-1	–
	Key 2	Yellow	638595-2	–	–	–	–	638623-2	–
	Key 3	Yellow	638595-3	–	–	–	–	638623-3	–
	Key 4	Yellow	638595-4	–	–	–	–	638623-4	–
	Key 5	Yellow	638595-5	–	–	–	–	638623-5	–

Sealed Receptacle Housings – Multiple Rows without Shorting Bars

No. of Positions	Keying Options	Housing Color	Part Numbers						
			Receptacle Housing	Cover	Locking Device	Cover and Lever	Mating Pin Housing	Mating PCB Header Right-Angle	Mating PCB Header Vertical
60	Key 1	Black	1438521-1	–	–	–	–	–	–

Sealed Receptacle Housings – Multiple Rows

Technical Features

No. of Positions:

70 Positions Assy
66 x GET.64 Terminal
4 x 1.5 mm Terminal
with Lever

Housing Material:

PA66 GF35

Wire Size Range:

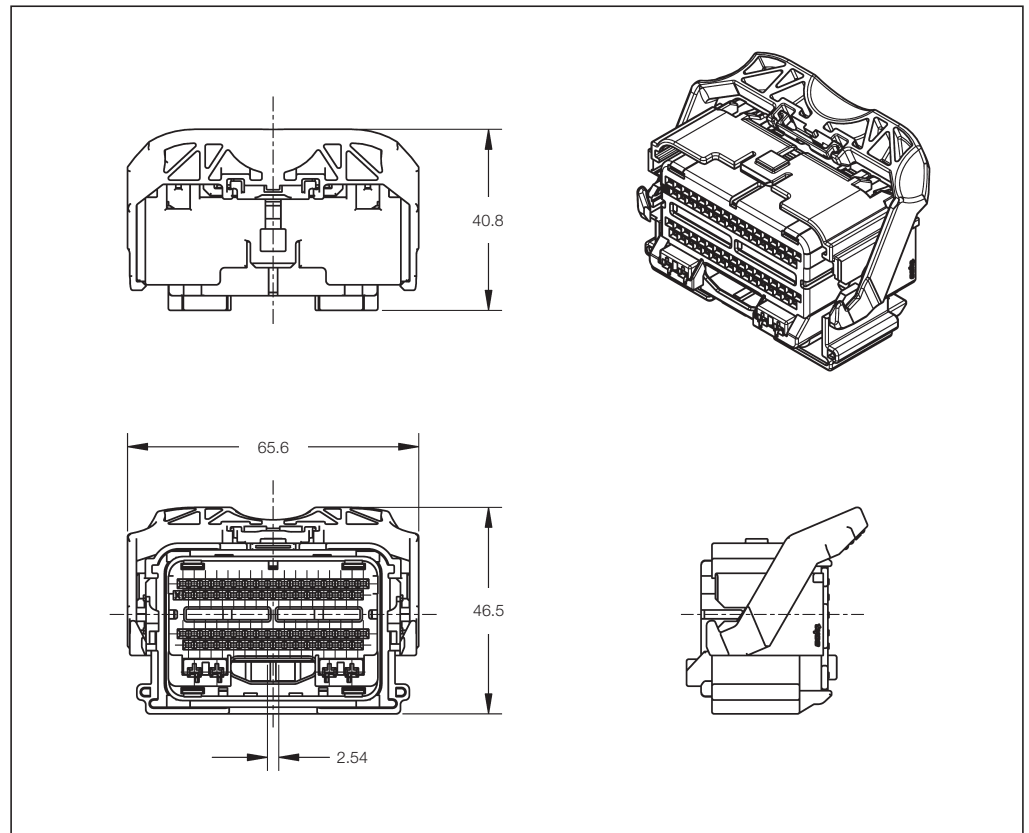
0.22–0.75 mm²

Product Specification:

114-13060

Application Specification:

408-8893



Sealed Receptacle Housings – Multiple Rows

No. of Positions	Keying Options	Housing Color	Part Numbers						
			Receptacle Housing	Cover	Locking Device	Cover and Lever	Mating Pin Housing	Mating PCB Header Right-Angle	Mating PCB Header Vertical
70	A	Black	1438136-1	–	–	–	1438726-1	–	1438063-1
	B	Black	1438136-2	–	–	–	–	–	1438698-1
	C	Black	1438136-3	–	–	–	–	–	–
	D	Black	1438136-4	–	–	–	–	–	–

Sealed Printed Circuit Board Headers

Technical Features

No. of Positions:

58 Positions Right-Angle
with Shorting Bar Ramps
(2 Pocket 20 + 38)

64 Positions Right-Angle
(2 Pocket 24 + 40)

Housing Material:

PBT GF30

Material and Finish:

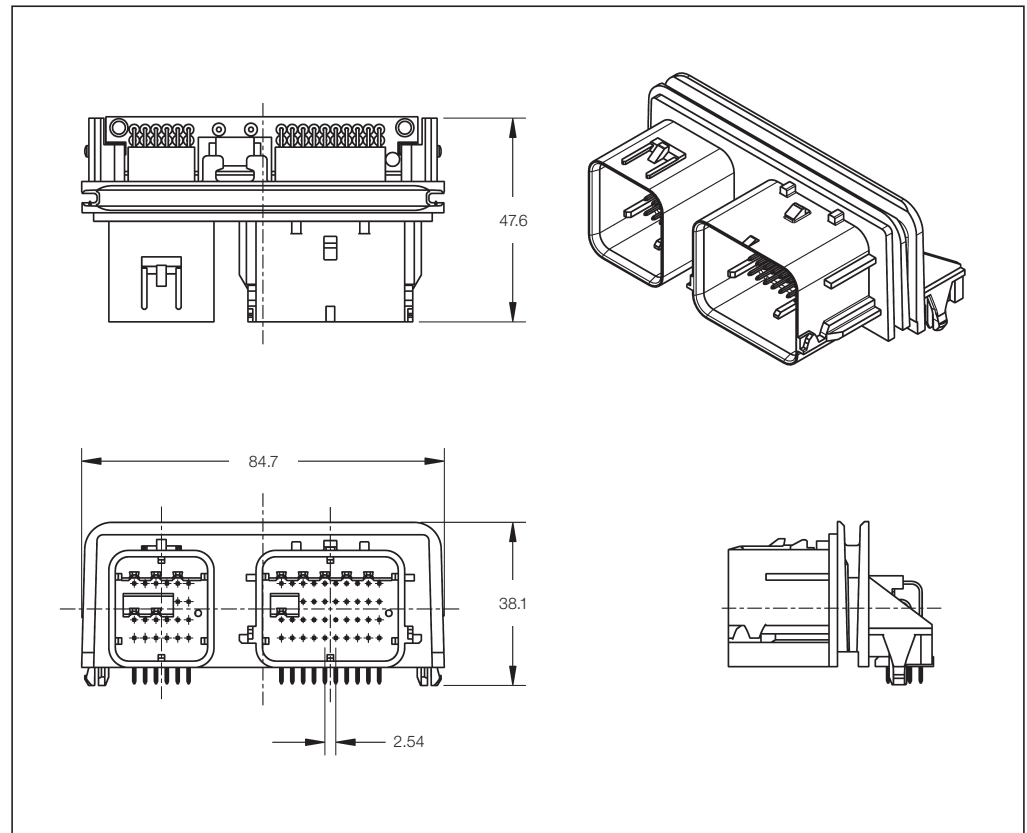
CuMg Pins with tin/gold finish

Product Specification:

—

Application Specification:

—



Sealed Printed Circuit Board Headers

No. of Positions	Keying Options	Housing Color	Part Numbers						
			PCB Header Right-Angle	PCB Header Vertical	Cover	Cover and Lever	Retainer Housing	Mating Receptacle Housing	
58	A	Black	8-1419157-9	-	-	-	-	1924672-1 / -9 & 1-1924672-0 / -9	
								2-1924672-0 / -7 & 2-1924672-9	
								3-1924672-2 / -7	
								1924670-1 / -9 & 1-1924670-0 / -9	
								2-1924670-0 / -9 & 3-1924670-0 / -9	
								4-1924670-0 / -9 & 5-1924670-0 / -9	
	G	Black	8-1419157-9	-	-	-	-	-	6-1924670-0 / -6
									7-1419157-9 & 8-1419157-0 / -6
									1438090-1 / -9 & 1-1438090-0 / -9
									2-1438090-0 / -9 & 3-1438090-0 / -9
									4-1438090-0 / -9 & 5-1438090-0 / -9
									6-1438090-0 / -9 & 7-1438090-0 / -9
B	Black	1438322-3	-	-	-	-	-	8-1438090-0 / -9 & 9-1438090-0 / -9	
								1456897-1 / -9	
								1438397-1 / -9 & 1-1438397-0 / -3	
								2-1924672-8 & 3-1924672-0	
								1924671-1 / -8	
								1438982-1 / -9 & 1-1438982-0 / -9	
H	Black	1438322-3	-	-	-	-	-	2-1438982-0 / -2	
								1438484-1	

Sealed Printed Circuit Board Headers (continued)

Sealed Printed Circuit Board Headers

No. of Positions	Keying Options	Housing Color	Part Numbers					Mating Receptacle Housing
			PCB Header Right-Angle	PCB Header Vertical	Cover	Cover and Lever	Retainer Housing	
58	C + H	Black	1438522-5	-	-	-	-	1924680-1
								1438484-1
								1438982-1 / -9 & 1-1438982-0 / -9
								2-1438982-0 / -2
								1924681-1
	D + G	Black	1438522-8	-	-	-	-	7-1419157-9 & 8-1419157-0 / -6
								1438090-1 / -9 & 1-1438090-0 / -9
								2-1438090-0 / -9 & 3-1438090-0 / -9
								4-1438090-0 / -9 & 5-1438090-0 / -9
								6-1438090-0 / -9 & 7-1438090-0 / -9
D + J	Black	1438522-6	-	-	-	-	8-1438090-0 / -9 & 9-1438090-0 / -9	
							1456897-1 / -9	
							1438397-1 / -9 & 1-1438397-0 / -3	
							1924681-1	
							1438485-1	
64	D + K	Black	1438522-7	-	-	-	-	1924681-1
								1438486-1
								3-1417171-9 & 7-1419157-9
								1438103-1 / -9 & 1-1438103-0 / -7
								1924674-1 / -9 & 1-1924674-0 / -2
	A + H	Black	1456777-2	-	-	-	-	1924675-1 / -9 & 1-1924675-0 / -4
								1438098-1 / -9 & 1-1438098-0 / -9
								2-1438098-0 / -5
								2098034-1
								3-1417171-9 & 7-1419157-9
A + J	Black	1456777-1	-	-	-	-	1438103-1 / -9 & 1-1438103-0 / -7	
							1924674-1 / -9 & 1-1924674-0 / -2	
							1924675-1 / -9 & 1-1924675-0 / -4	
							1924513-1 / -9 & 1-1924513-0 / -9	
							2-1924513-0 / -9 & 3-1924513-0 / -5	

Sealed Printed Circuit Board Headers

Technical Features

No. of Positions:

92 Positions Vertical Assy
3 Pocket (___ + 46 + 46)
122 Positions Vertical Assy
3 Pocket (30 + 46 + 46)

Housing Material:

PBT GF30

Material and Finish:

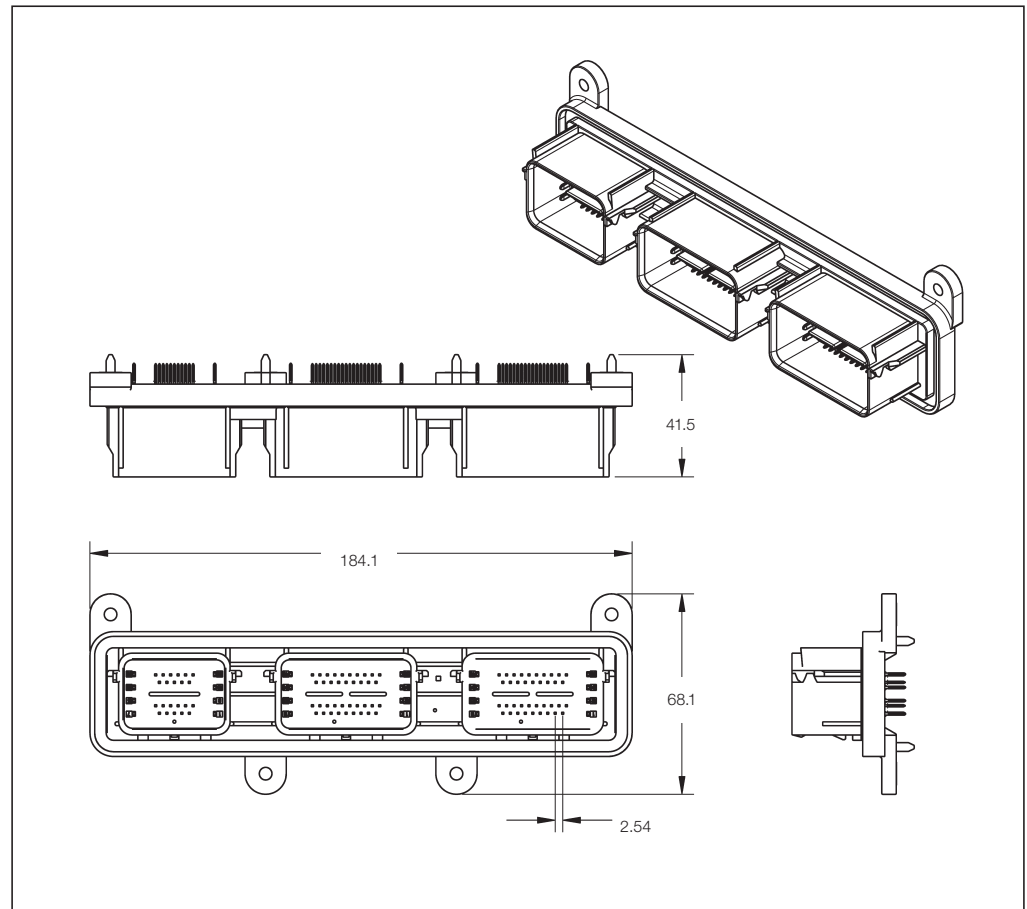
Brass Pins with tin/gold finish

Product Specification:

—

Application Specification:

—



Sealed Printed Circuit Board Headers

No. of Positions	Keying Options	Housing Color	Part Numbers					
			PCB Header Right-Angle	PCB Header Vertical	Cover	Cover and Lever	Retainer Housing	Mating Receptacle Housing
92	___ + A + B	Gray	-	1438088-2	-	-	-	1438082-1
								1438082-2
122	A + A + B	Black	-	1438087-2	-	-	-	1438083-1
								1438082-2

Note: All Part Numbers are RoHS and ELV compliant.

Sealed Printed Circuit Board Headers

Technical Features

No. of Positions:

150 Positions Vertical Assy
3 Pocket (50 + 50 + 50)

Housing Material:

PBT GF30

Material and Finish:

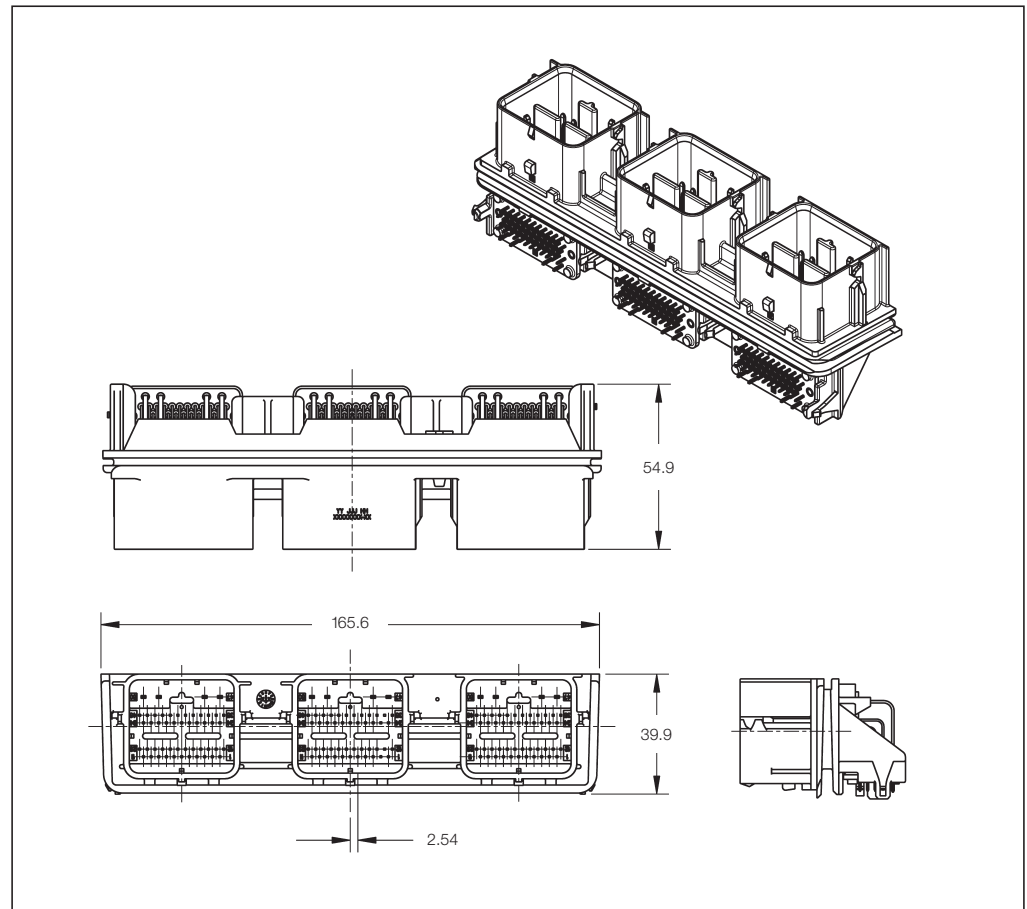
Brass Pins with tin/gold finish

Product Specification:

—

Application Specification:

—



Sealed Printed Circuit Board Headers

No. of Positions	Keying Options	Housing Color	Part Numbers					
			PCB Header Right-Angle	PCB Header Vertical	Cover	Cover and Lever	Retainer Housing	Mating Receptacle Housing
150	A + B + C	Black	-	1438139-1	-	-	-	1438129-1
				-				1438129-2
				-				1438129-3

Note: All Part Numbers are RoHS and ELV compliant.

Sealed Printed Circuit Board Headers

Technical Features

No. of Positions:

190 Positions Vertical Assy
3 Pocket (70 + 70 + 50)

Housing Material:

PPA GF33

Material and Finish:

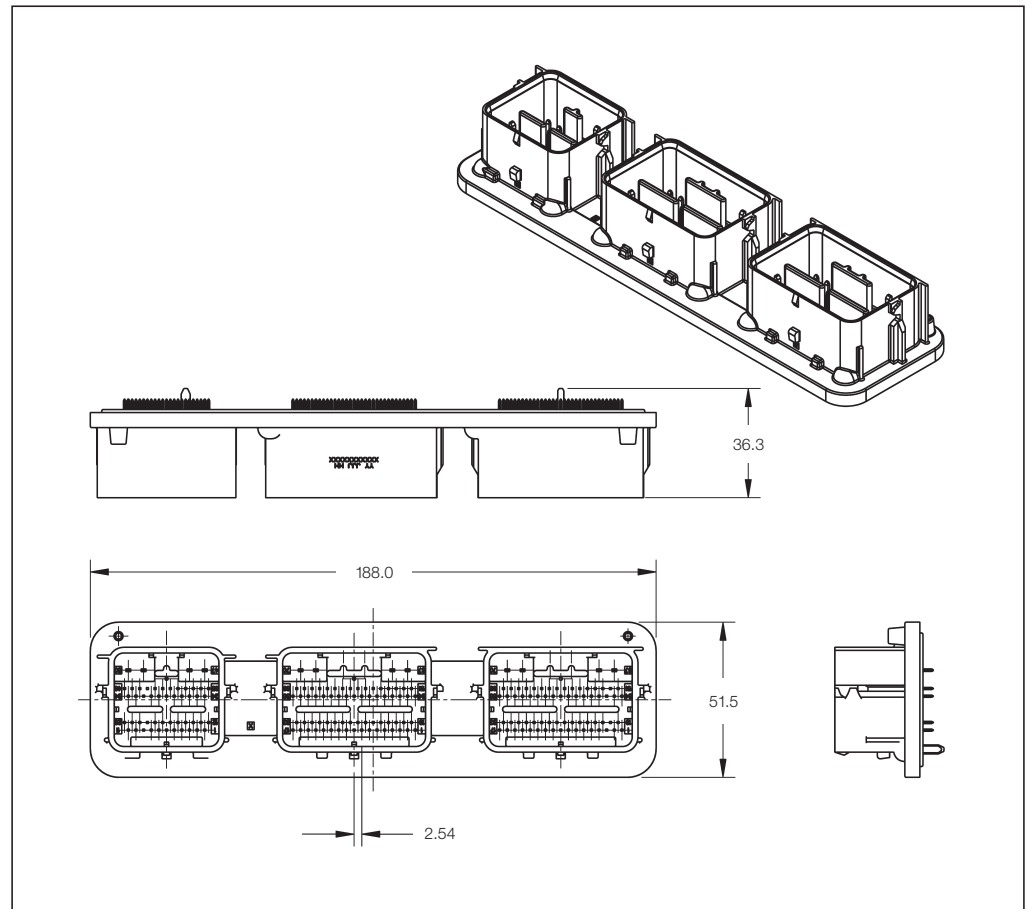
Brass Pins with tin/gold finish

Product Specification:

—

Application Specification:

—



Sealed Printed Circuit Board Headers

No. of Positions	Keying Options	Housing Color	Part Numbers					
			PCB Header Right-Angle	PCB Header Vertical	Cover	Cover and Lever	Retainer Housing	Mating Receptacle Housing
190	B + A + C	Black	-	1438063-1	-	-	-	1438136-1
								1438136-2
								1438129-1

Note: All Part Numbers are RoHS and ELV compliant.

Numerical Index

Part Number	Page	Part Number	Page	Part Number	Page	Part Number	Page
638595-1	6-58	7-1419157-9	6-50	6-1419166-2	6-9 , 6-10, 6-31	2-1419170-9	6-20
638595-2	6-58	7-1419157-9	6-52, 6-60, 6-61	9-1419166-0	6-33	2-1419170-9	6-34
638595-3	6-58	8-1419157-0	6-52, 6-60, 6-61	9-1419166-1	6-33	3-1419170-0	6-20, 6-34
638595-4	6-58	8-1419157-1	6-52, 6-60, 6-61	5-1419167-5	6-24, 6-25, 6-36	3-1419170-4	6-20, 6-34
638595-5	6-58	8-1419157-2	6-52, 6-60, 6-61	5-1419167-6	6-24, 6-25, 6-36	5-1419170-8	6-22, 6-35
638623-1	6-58	8-1419157-3	6-52, 6-60, 6-61	5-1419167-7	6-24, 6-25, 6-36	8-1419170-5	6-24, 6-36
638623-2	6-58	8-1419157-4	6-52, 6-60, 6-61	5-1419167-8	6-24, 6-25, 6-36	8-1419170-6	6-24, 6-36
638623-3	6-58	8-1419157-5	6-52, 6-60, 6-61	9-1419167-0	6-42	8-1419170-7	6-24, 6-36
638623-4	6-58	8-1419157-6	6-52, 6-60, 6-61	9-1419167-1	6-42	8-1419170-8	6-24, 6-36
638623-5	6-58	8-1419157-9	6-47, 6-48, 6-52, 6-53, 6-60	9-1419167-5	6-42	9-1419170-1	6-24, 6-36
1157164-6	6-6	9-1419157-4	6-9 , 6-10	9-1419167-8	6-42	1419171-3	6-24, 6-36
1355922-1	6-16	9-1419157-6	6-22, 6-35	9-1419167-9	6-42	1419171-4	6-24, 6-36
1355922-4	6-16	1419158-1	6-13	1419168-7	6-43	1419171-5	6-24, 6-36
1393364-1	6-4	1419158-2	6-13	1419168-8	6-43	1419171-6	6-24, 6-36
1393364-2	6-4	1419158-4	6-13	1419168-9	6-43	1419171-9	6-24, 6-36
1393365-1	6-4	1419158-5	6-19	1-1419168-0	6-43	4-1419171-0	6-50
1393365-2	6-4	1419158-8	6-34	1-1419168-1	6-43	4-1419171-1	6-50
1393366-1	6-4	1-1419158-0	6-20, 6-34	1-1419168-2	6-43	1420011-1	6-26, 6-38
1393366-2	6-4	1-1419158-1	6-20, 6-34	1-1419168-3	6-43	1420011-2	6-26, 6-38
1393367-1	6-4	1-1419158-2	6-20, 6-34	1-1419168-4	6-43	1420011-3	6-26, 6-38
1393367-2	6-4	1-1419158-3	6-20, 6-34	2-1419168-1	6-44	1438031-1	6-45
6-1393462-4	6-4 , 6-5	1-1419158-4	6-22, 6-35	2-1419168-3	6-44	1438031-2	6-45
6-1393462-5	6-4 , 6-5	1-1419158-6	6-5	2-1419168-4	6-44	1438031-3	6-45
1411001-1	6-44	1-1419158-7	6-26, 6-38	3-1419168-4	6-44	1438031-4	6-45
1411001-2	6-44	1-1419158-8	6-28	3-1419168-5	6-44	1438031-5	6-45
1411168-1	6-20	1-1419158-9	6-28	3-1419168-6	6-44	1438031-6	6-45
1411168-3	6-20	2-1419158-0	6-28	3-1419168-7	6-44	1438063-1	6-57, 6-59, 6-64
1411169-0	6-34	2-1419158-1	6-28	5-1419168-8	6-45	1438082-1	6-56, 6-62
1411169-1	6-20, 6-21, 6-34	2-1419158-2	6-28	5-1419168-9	6-45	1438082-2	6-56, 6-62
1411169-3	6-20, 6-21, 6-34	2-1419158-3	6-5	4-1419169-6	6-9	1438083-1	6-51, 6-62
1411169-4	6-20, 6-21, 6-34	2-1419158-5	6-5	4-1419169-7	6-9 , 6-31	1438086-1	6-56
1411325-3	6-19	2-1419158-6	6-26, 6-38	5-1419169-2	6-9 , 6-31	1438087-1	6-51
1411325-4	6-19	2-1419158-7	6-26, 6-38	6-1419169-2	6-9	1438087-2	6-56, 6-62
1-1411325-1	6-19	2-1419158-8	6-26, 6-38	6-1419169-3	6-9 , 6-31	1438088-1	6-56
1-1411325-2	6-19	2-1419158-9	6-26, 6-38	6-1419169-8	6-9 , 6-31	1438088-2	6-62
1-1411325-3	6-19	3-1419158-0	6-26, 6-38	6-1419169-9	6-9 , 6-31	1438090-1	6-52, 6-60, 6-61
1-1411325-4	6-19	3-1419158-1	6-5	7-1419169-0	6-13	1438090-2	6-52, 6-60, 6-61
9-1411325-1	6-19	3-1419158-2	6-9 , 6-31	7-1419169-1	6-13	1438090-3	6-52, 6-60, 6-61
9-1411325-2	6-19	3-1419158-4	6-9 , 6-31	8-1419169-3	6-13	1438090-4	6-52, 6-60, 6-61
9-1411325-3	6-19	5-1419166-6	6-9 , 6-10, 6-31	8-1419169-4	6-13	1438090-5	6-52, 6-60, 6-61
9-1411325-4	6-19	6-1419166-1	6-9 , 6-10, 6-31	9-1419169-0	6-13	1438090-6	6-52, 6-60, 6-61
9-1411325-5	6-19			9-1419169-1	6-33	1438090-7	6-52, 6-60, 6-61
1411367-1	6-24, 6-25, 6-36			9-1419169-2	6-33	1438090-8	6-52, 6-60, 6-61
1411369-1	6-24, 6-36			2-1419170-1	6-33		
3-1417171-9	6-50, 6-61			2-1419170-2	6-33		
1418158-6	6-19						
1418158-8	6-20						
6-1419138-9	6-28						

Numerical Index

Part Number	Page	Part Number	Page	Part Number	Page	Part Number	Page
1438090-9	6-52, 6-60, 6-61	3-1438090-5	6-52, 6-60, 6-61	6-1438090-1	6-52, 6-60, 6-61	8-1438090-7	6-52, 6-60, 6-61
1-1438090-0	6-52, 6-60, 6-61	3-1438090-6	6-52, 6-60, 6-61	6-1438090-2	6-52, 6-60, 6-61	8-1438090-8	6-52, 6-60, 6-61
1-1438090-1	6-52, 6-60, 6-61	3-1438090-7	6-52, 6-60, 6-61	6-1438090-3	6-52, 6-60, 6-61	8-1438090-9	6-52, 6-60, 6-61
1-1438090-2	6-52, 6-60, 6-61	3-1438090-8	6-52, 6-60, 6-61	6-1438090-4	6-52, 6-60, 6-61	9-1438090-0	6-52, 6-60, 6-61
1-1438090-3	6-52, 6-60, 6-61	3-1438090-9	6-52, 6-60, 6-61	6-1438090-5	6-52, 6-60, 6-61	9-1438090-1	6-52, 6-60, 6-61
1-1438090-4	6-52, 6-60, 6-61	4-1438090-0	6-52, 6-60, 6-61	6-1438090-6	6-52, 6-60, 6-61	9-1438090-2	6-52, 6-60, 6-61
1-1438090-5	6-52, 6-60, 6-61	4-1438090-1	6-52, 6-60, 6-61	6-1438090-7	6-52, 6-60, 6-61	9-1438090-3	6-52, 6-60, 6-61
1-1438090-6	6-52, 6-60, 6-61	4-1438090-2	6-52, 6-60, 6-61	6-1438090-8	6-52, 6-60, 6-61	9-1438090-4	6-52, 6-60, 6-61
1-1438090-7	6-52, 6-60, 6-61	4-1438090-3	6-52, 6-60, 6-61	6-1438090-9	6-52, 6-60, 6-61	9-1438090-5	6-52, 6-60, 6-61
1-1438090-8	6-52, 6-60, 6-61	4-1438090-4	6-52, 6-60, 6-61	7-1438090-0	6-52, 6-60, 6-61	9-1438090-6	6-52, 6-60, 6-61
1-1438090-9	6-52, 6-60, 6-61	4-1438090-5	6-52, 6-60, 6-61	7-1438090-1	6-52, 6-60, 6-61	9-1438090-7	6-52, 6-60, 6-61
2-1438090-0	6-52, 6-60, 6-61	4-1438090-6	6-52, 6-60, 6-61	7-1438090-2	6-52, 6-60, 6-61	9-1438090-8	6-52, 6-60, 6-61
2-1438090-1	6-52, 6-60, 6-61	4-1438090-7	6-52, 6-60, 6-61	7-1438090-3	6-52, 6-60, 6-61	9-1438090-9	6-52, 6-60, 6-61
2-1438090-2	6-52, 6-60, 6-61	4-1438090-8	6-52, 6-60, 6-61	7-1438090-4	6-52, 6-60, 6-61	1438095-2	6-50
2-1438090-3	6-52, 6-60, 6-61	4-1438090-9	6-52, 6-60, 6-61	7-1438090-5	6-52, 6-60, 6-61	1438095-3	6-50
2-1438090-4	6-52, 6-60, 6-61	5-1438090-0	6-52, 6-60, 6-61	7-1438090-6	6-52, 6-60, 6-61	1438095-4	6-50
2-1438090-5	6-52, 6-60, 6-61	5-1438090-1	6-52, 6-60, 6-61	7-1438090-7	6-52, 6-60, 6-61	1438095-5	6-50
2-1438090-6	6-52, 6-60, 6-61	5-1438090-2	6-52, 6-60, 6-61	7-1438090-8	6-52, 6-60, 6-61	1438095-6	6-50
2-1438090-7	6-52, 6-60, 6-61	5-1438090-3	6-52, 6-60, 6-61	7-1438090-9	6-52, 6-60, 6-61	1438095-7	6-50
2-1438090-8	6-52, 6-60, 6-61	5-1438090-4	6-52, 6-60, 6-61	8-1438090-0	6-52, 6-60, 6-61	1438095-8	6-50
2-1438090-9	6-52, 6-60, 6-61	5-1438090-5	6-52, 6-60, 6-61	8-1438090-1	6-52, 6-60, 6-61	1438095-9	6-50
3-1438090-0	6-52, 6-60, 6-61	5-1438090-6	6-52, 6-60, 6-61	8-1438090-2	6-52, 6-60, 6-61	1-1438095-0	6-50
3-1438090-1	6-52, 6-60, 6-61	5-1438090-7	6-52, 6-60, 6-61	8-1438090-3	6-52, 6-60, 6-61	1-1438095-1	6-50
3-1438090-2	6-52, 6-60, 6-61	5-1438090-8	6-52, 6-60, 6-61	8-1438090-4	6-52, 6-60, 6-61	1-1438095-2	6-50
3-1438090-3	6-52, 6-60, 6-61	5-1438090-9	6-52, 6-60, 6-61	8-1438090-5	6-52, 6-60, 6-61	1-1438095-3	6-50
3-1438090-4	6-52, 6-60, 6-61	6-1438090-0	6-52, 6-60, 6-61	8-1438090-6	6-52, 6-60, 6-61	1-1438095-4	6-50
						1-1438095-5	6-50
						1-1438095-6	6-50
						1-1438095-7	6-50
						1-1438095-8	6-50
						1-1438095-9	6-50
						2-1438095-0	6-50
						2-1438095-1	6-50
						2-1438095-2	6-50
						2-1438095-3	6-50
						1438096-2	6-50
						1438096-3	6-50
						1438096-4	6-50
						1438096-5	6-50

Numerical Index

Part Number	Page	Part Number	Page	Part Number	Page	Part Number	Page
1438096-6	6-50	1-1438099-9	6-54	1438299-1	6-5	1438435-8	6-54
1438096-7	6-50	2-1438099-0	6-54	1438299-2	6-5	1438435-9	6-54
1438096-8	6-50	2-1438099-1	6-54	1438299-3	6-5	1438484-1	6-60, 6-61
1438096-9	6-50	2-1438099-2	6-54	1438299-4	6-5	1438485-1	6-52, 6-61
1-1438096-0	6-50	2-1438099-3	6-54	1438322-3	6-47, 6-48, 6-52, 6-53, 6-60	1438486-1	6-52, 6-61
1-1438096-1	6-50	2-1438099-4	6-54	1438356-1	6-50	1438521-1	6-58
1-1438096-2	6-50	2-1438099-5	6-54	1438356-2	6-50	1438522-1	6-48
1-1438096-3	6-50	2-1438099-6	6-54	1438356-3	6-50	1438522-5	6-61
1-1438096-4	6-50	2-1438099-7	6-54	1438356-4	6-50	1438522-6	6-48, 6-52, 6-61
1438098-1	6-54, 6-61	2-1438099-8	6-54	1438356-5	6-50	1438522-7	6-48, 6-52, 6-61
1438098-2	6-54, 6-61	2-1438099-9	6-54	1438356-6	6-50	1438522-8	6-48, 6-61
1438098-3	6-54, 6-61	3-1438099-0	6-54	1438356-7	6-50	1438533-9	6-46
1438098-4	6-54, 6-61	3-1438099-1	6-54	1438356-8	6-50	1-1438533-3	6-46
1438098-5	6-54, 6-61	1438103-1	6-50, 6-61	1438356-9	6-50	1-1438533-4	6-46
1438098-6	6-54, 6-61	1438103-2	6-50, 6-61	1-1438356-0	6-50	1-1438533-7	6-46
1438098-7	6-54, 6-61	1438103-3	6-50, 6-61	1-1438356-1	6-50	2-1438533-1	6-46
1438098-8	6-54, 6-61	1438103-4	6-50, 6-61	1-1438356-2	6-50	1438582-1	6-50
1438098-9	6-54, 6-61	1438103-5	6-50, 6-61	1438397-1	6-53, 6-60, 6-61	1438582-2	6-50
1-1438098-0	6-54, 6-61	1438103-6	6-50, 6-61	1438397-2	6-53, 6-60, 6-61	1438582-3	6-50
1-1438098-1	6-54, 6-61	1438103-7	6-50, 6-61	1438397-3	6-53, 6-60, 6-61	1438583-1	6-50
1-1438098-2	6-54, 6-61	1438103-8	6-50, 6-61	1438397-4	6-53, 6-60, 6-61	1438583-2	6-50
1-1438098-3	6-54, 6-61	1438103-9	6-50, 6-61	1438397-5	6-53, 6-60, 6-61	1438583-3	6-50
1-1438098-4	6-54, 6-61	1-1438103-0	6-50, 6-61	1438397-6	6-53, 6-60, 6-61	1438617-1	6-54
1-1438098-5	6-54, 6-61	1-1438103-1	6-50, 6-61	1438397-7	6-53, 6-60, 6-61	1438679-1	6-54
1-1438098-6	6-54, 6-61	1-1438103-2	6-50, 6-61	1438397-8	6-53, 6-60, 6-61	1438698-1	6-59
1-1438098-7	6-54, 6-61	1-1438103-3	6-50, 6-61	1438397-9	6-53, 6-60, 6-61	1438726-1	6-59
1-1438098-8	6-54, 6-61	1-1438103-4	6-50, 6-61	1-1438397-0	6-53, 6-60, 6-61	1438982-1	6-53, 6-60, 6-61
1-1438098-9	6-54, 6-61	1-1438103-5	6-50, 6-61	1-1438397-1	6-53, 6-60, 6-61	1438982-2	6-53, 6-60, 6-61
2-1438098-0	6-54, 6-61	1-1438103-6	6-50, 6-61	1-1438397-2	6-53, 6-60, 6-61	1438982-3	6-53, 6-60, 6-61
2-1438098-1	6-54, 6-61	1-1438103-7	6-50, 6-61	1-1438397-3	6-53, 6-60, 6-61	1438982-4	6-53, 6-60, 6-61
2-1438098-2	6-54, 6-61	1438107-1	6-23, 6-24, 6-25	1438435-1	6-54	1438982-5	6-53, 6-60, 6-61
2-1438098-3	6-54, 6-61	1438122-1	6-11, 6-31	1438435-2	6-54	1438982-6	6-53, 6-60, 6-61
2-1438098-4	6-54, 6-61	1438129-1	6-57, 6-63, 6-64	1438435-3	6-54	1438982-7	6-53, 6-60, 6-61
2-1438098-5	6-54, 6-61	1438129-2	6-57, 6-63	1438435-4	6-54	1438982-8	6-53, 6-60, 6-61
1438099-1	6-54	1438129-3	6-57, 6-63	1438435-5	6-54	1438982-9	6-53, 6-60, 6-61
1438099-2	6-54	1438136-1	6-59, 6-64	1438435-6	6-54	1-1438982-0	6-53, 6-60, 6-61
1438099-3	6-54	1438136-2	6-59, 6-64	1438435-7	6-54	1-1438982-1	6-53, 6-60, 6-61
1438099-4	6-54	1438136-3	6-59	1438435-8	6-54	1-1438982-2	6-53, 6-60, 6-61
1438099-5	6-54	1438136-4	6-59	1438435-9	6-54		
1438099-6	6-54	1438139-1	6-57, 6-63				
1438099-7	6-54	1438153-1	6-43				
1438099-8	6-54	1438153-2	6-43				
1438099-9	6-54	1438153-3	6-43				
1-1438099-0	6-54	1438153-4	6-43				
1-1438099-1	6-54	1438153-5	6-43				
1-1438099-2	6-54	1438153-6	6-43				
1-1438099-3	6-54	1438153-7	6-43				
1-1438099-4	6-54	1438156-2	6-15				
1-1438099-5	6-54	1438170-1	6-25, 6-37				
1-1438099-6	6-54	1438188-1	6-42				
1-1438099-7	6-54						
1-1438099-8	6-54						

Numerical Index

Part Number	Page	Part Number	Page	Part Number	Page	Part Number	Page
1-1438982-3	6-53, 6-60, 6-61	1456897-4	6-52, 6-60, 6-61	1564003-1	6-12, 6-32	1924670-9	6-48, 6-60
1-1438982-4	6-53, 6-60, 6-61	1456897-5	6-52, 6-60, 6-61	1564004-1	6-12, 6-32	1-1924670-0	6-48, 6-60
1-1438982-5	6-53, 6-60, 6-61	1456897-6	6-52, 6-60, 6-61	1564004-2	6-32	1-1924670-1	6-48, 6-60
1-1438982-6	6-53, 6-60, 6-61	1456897-7	6-52, 6-60, 6-61	1564880-1	6-6	1-1924670-2	6-48, 6-60
1-1438982-7	6-53, 6-60, 6-61	1456897-8	6-52, 6-60, 6-61	3-1579007-6	6-4, 6-5, 6-6	1-1924670-3	6-48, 6-60
1-1438982-8	6-53, 6-60, 6-61	1456897-9	6-52, 6-60, 6-61	1719256-1	6-42	1-1924670-4	6-48, 6-60
1-1438982-9	6-53, 6-60, 6-61	1456983-1	6-10	1719957-1	6-6	1-1924670-5	6-48, 6-60
2-1438982-0	6-53, 6-60, 6-61	1456983-2	6-10	1719958-1	6-6	1-1924670-6	6-48, 6-60
2-1438982-1	6-53, 6-60, 6-61	1456983-3	6-10	1924513-1	6-55, 6-61	1-1924670-7	6-48, 6-60
2-1438982-2	6-53, 6-60, 6-61	1456983-4	6-10	1924513-2	6-55, 6-61	1-1924670-8	6-48, 6-60
1452015-2	6-23	1456983-5	6-10	1924513-3	6-55, 6-61	1-1924670-9	6-48, 6-60
1452015-8	6-23	1456983-6	6-10	1924513-4	6-55, 6-61	2-1924670-0	6-48, 6-60
1-1452015-2	6-23	1456983-7	6-10	1924513-5	6-55, 6-61	2-1924670-1	6-48, 6-60
1-1452015-8	6-23	1456983-8	6-10	1924513-6	6-55, 6-61	2-1924670-2	6-48, 6-60
1452187-1	6-18	1456985-1	6-14	1924513-7	6-55, 6-61	2-1924670-3	6-48, 6-60
1452187-3	6-18	1456985-2	6-14	1924513-8	6-55, 6-61	2-1924670-4	6-48, 6-60
1452187-4	6-18	1456985-3	6-14, 6-25	1924513-9	6-55, 6-61	2-1924670-5	6-48, 6-60
1452203-1	6-17	1456985-4	6-14, 6-25	1-1924513-0	6-55, 6-61	2-1924670-6	6-48, 6-60
1452454-1	6-39	1456985-5	6-14, 6-25	1-1924513-1	6-55, 6-61	2-1924670-7	6-48, 6-60
1452458-1	6-39	1456985-6	6-14, 6-25	1-1924513-2	6-55, 6-61	2-1924670-8	6-48, 6-60
1452462-3	6-39	1456985-7	6-14, 6-25	1-1924513-3	6-55, 6-61	2-1924670-9	6-48, 6-60
1452598-1	6-8, 6-30, 6-40	1456985-8	6-14	1-1924513-4	6-55, 6-61	3-1924670-0	6-48, 6-60
1452601-1	6-8, 6-30	1456985-9	6-14	1-1924513-5	6-55, 6-61	3-1924670-1	6-48, 6-60
1452623-1	6-8, 6-40	1-1456985-0	6-14	1-1924513-6	6-55, 6-61	3-1924670-2	6-48, 6-60
1452625-1	6-8, 6-40	1456987-1	6-21	1-1924513-7	6-55, 6-61	3-1924670-3	6-48, 6-60
1452839-1	6-29	1456987-2	6-21	1-1924513-8	6-55, 6-61	3-1924670-4	6-48, 6-60
1-1452839-1	6-29	1456987-3	6-21	1-1924513-9	6-55, 6-61	3-1924670-5	6-48, 6-60
1452842-1	6-27	1456987-4	6-21	2-1924513-0	6-55, 6-61	3-1924670-6	6-48, 6-60
1-1452842-1	6-27	1456987-5	6-21	2-1924513-1	6-55, 6-61	3-1924670-7	6-48, 6-60
1456777-1	6-49, 6-50, 6-54, 6-55, 6-61	1456987-6	6-21	2-1924513-2	6-55, 6-61	3-1924670-8	6-48, 6-60
1456777-2	6-49, 6-50, 6-54, 6-55, 6-61	1456987-7	6-21	2-1924513-3	6-55, 6-61	3-1924670-9	6-48, 6-60
1456897-1	6-52, 6-60, 6-61	1456987-8	6-21	2-1924513-4	6-55, 6-61	4-1924670-0	6-48, 6-60
1456897-2	6-52, 6-60, 6-61	1456987-9	6-25	2-1924513-5	6-55, 6-61	4-1924670-1	6-48, 6-60
1456897-3	6-52, 6-60, 6-61	1456989-1	6-25	2-1924513-6	6-55, 6-61	4-1924670-2	6-48, 6-60
		1456989-2	6-25	2-1924513-7	6-55, 6-61	4-1924670-3	6-48, 6-60
		1458573-1	6-25	2-1924513-8	6-55, 6-61	4-1924670-4	6-48, 6-60
		1488339-1	6-52	2-1924513-9	6-55, 6-61	4-1924670-5	6-48, 6-60
		1488533-5	6-46	3-1924513-0	6-55, 6-61	4-1924670-6	6-48, 6-60
		1488533-6	6-46	3-1924513-1	6-55, 6-61	4-1924670-7	6-48, 6-60
		1488533-7	6-46	3-1924513-2	6-55, 6-61	4-1924670-8	6-48, 6-60
		1488533-8	6-46	3-1924513-3	6-55, 6-61	4-1924670-9	6-48, 6-60
		1-1488533-9	6-46	3-1924513-4	6-55, 6-61	5-1924670-0	6-48, 6-60
		1488573-1	6-37	3-1924513-5	6-55, 6-61	5-1924670-1	6-48, 6-60
		1488752-3	6-15, 6-41	1924670-1	6-48, 6-60	5-1924670-2	6-48, 6-60
		1488903-1	6-33	1924670-2	6-48, 6-60	5-1924670-3	6-48, 6-60
		1528698-6	6-6	1924670-3	6-48, 6-60	5-1924670-4	6-48, 6-60
		1528699-6	6-6	1924670-4	6-48, 6-60	5-1924670-5	6-48, 6-60
				1924670-5	6-48, 6-60	5-1924670-6	6-48, 6-60
				1924670-6	6-48, 6-60	5-1924670-7	6-48, 6-60
				1924670-7	6-48, 6-60	5-1924670-8	6-48, 6-60
				1924670-8	6-48, 6-60	5-1924670-9	6-48, 6-60
						6-1924670-0	6-48, 6-60

Numerical Index

Part Number	Page	Part Number	Page	Part Number	Page
6-1924670-1	6-48, 6-60	1-1924672-4	6-47, 6-60	1924674-5	6-49, 6-61
6-1924670-2	6-48, 6-60	1-1924672-5	6-47, 6-60	1924674-6	6-49, 6-61
6-1924670-3	6-48, 6-60	1-1924672-6	6-47, 6-60	1924674-7	6-49, 6-61
6-1924670-4	6-48, 6-60	1-1924672-7	6-47, 6-60	1924674-8	6-49, 6-61
6-1924670-5	6-48, 6-60	1-1924672-8	6-47, 6-60	1924674-9	6-49, 6-61
6-1924670-6	6-48, 6-60	1-1924672-9	6-47, 6-60	1-1924674-0	6-49, 6-61
1924671-1	6-48, 6-60	2-1924672-0	6-47, 6-60	1-1924674-1	6-49, 6-61
1924671-2	6-48, 6-60	2-1924672-1	6-47, 6-60	1-1924674-2	6-49, 6-61
1924671-3	6-48, 6-60	2-1924672-2	6-47, 6-60	1924675-1	6-49, 6-61
1924671-4	6-48, 6-60	2-1924672-3	6-47, 6-60	1924675-2	6-49, 6-61
1924671-5	6-48, 6-60	2-1924672-4	6-47, 6-60	1924675-3	6-49, 6-61
1924671-6	6-48, 6-60	2-1924672-5	6-47, 6-60	1924675-4	6-49, 6-61
1924671-7	6-48, 6-60	2-1924672-6	6-47, 6-60	1924675-5	6-49, 6-61
1924671-8	6-48, 6-60	2-1924672-7	6-47, 6-60	1924675-6	6-49, 6-61
1924672-1	6-47, 6-60	2-1924672-8	6-47, 6-60	1924675-7	6-49, 6-61
1924672-2	6-47, 6-60	2-1924672-9	6-47, 6-60	1924675-8	6-49, 6-61
1924672-3	6-47, 6-60	3-1924672-0	6-47, 6-60	1924675-9	6-49, 6-61
1924672-4	6-47, 6-60	3-1924672-2	6-47, 6-60	1-1924675-0	6-49, 6-61
1924672-5	6-47, 6-60	3-1924672-3	6-47, 6-60	1-1924675-1	6-49, 6-61
1924672-6	6-47, 6-60	3-1924672-4	6-47, 6-60	1-1924675-2	6-49, 6-61
1924672-7	6-47, 6-60	3-1924672-5	6-47, 6-60	1-1924675-3	6-49, 6-61
1924672-8	6-47, 6-60	3-1924672-6	6-47, 6-60	1-1924675-4	6-49, 6-61
1924672-9	6-47, 6-60	3-1924672-7	6-47, 6-60	1924680-1	6-48, 6-61
1-1924672-0	6-47, 6-60	1924674-1	6-49, 6-61	1924681-1	6-48, 6-61
1-1924672-1	6-47, 6-60	1924674-2	6-49, 6-61	1927688-3	6-41
1-1924672-2	6-47, 6-60	1924674-3	6-49, 6-61	2098034-1	6-55, 6-61
1-1924672-3	6-47, 6-60	1924674-4	6-49, 6-61		

Disclaimer

While Tyco Electronics and its affiliates referenced herein have made every reasonable effort to ensure the accuracy of the information contained in this catalog, Tyco Electronics cannot assure that this information is error free. For this reason, Tyco Electronics does not make any representation or offer any guarantee that such information is accurate, correct, reliable or current. Tyco Electronics reserves the right to make any adjustments to the information at any time. Tyco Electronics expressly disclaims any implied warranty regarding the information contained herein, including, but not limited to, the implied warranties of merchantability or fitness for a particular purpose. Tyco Electronics' only obligations are those stated in Tyco Electronics' Standard Terms and Conditions of Sale. Tyco Electronics will in no case be liable for any incidental, indirect or consequential damages arising from or in connection with, including, but not limited to, the sale, resale, use or misuse of its products. Users should rely on their own judgment to evaluate the suitability of a product for a certain purpose and test each product for its intended application.

In case of any potential ambiguities or questions, please don't hesitate to contact us for clarification.

www.tycoelectronics.com
www.tycoelectronics.com/automotive

AMP, TE (Logo) and Tyco Electronics are trademarks of the Tyco Electronics Group of Companies and its Licensors.

Engineering Notes

