

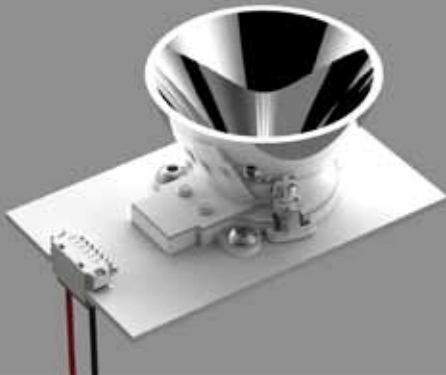
Introducing Solderless LED Socket, Type CM

TE Connectivity's Solderless LED Socket, Type CM provides solderless Class 2 **parallel** (6 conductor) and Class 1, high voltage **serial** (2 conductor) quick termination options to the 1500 lumen output Cree XLamp® MP-L™ LED. This solderless termination technique facilitates easy integration of the LED into the end customer's lighting fixtures with simple screw-down installation. Multiple versions are offered to provide application flexibility. To further enhance functionality to the fixture manufacturer, the socket also features integral, robust, snap attachment of LEDIL Tyra series reflector optics.

OBSOLETE
NOT the LATEST
REVISION



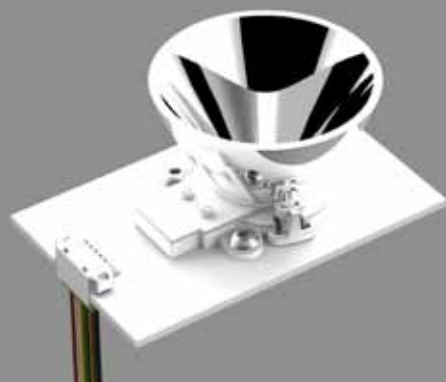
LED to Board Serial shown



KEY FEATURES

- Solderless termination to the Cree XLamp MP-L LED
- Fast, rapid termination and assembly – eliminates hand soldering wires to the MPL 0.70mm x 0.85mm pads
- Offered in separable board termination and wire termination versions
- Snap-on optics assembly using LEDIL's Tyra series reflector optics
- Custom parallel and serial AMP Mini CT cable assembly lengths are available upon request

LED to inverted wire parallel shown



APPLICATIONS

- Commercial and residential lighting fixtures
- Integrated custom lighting

ELECTRICAL

- Operating current: 500mA
- Operating voltage: 30VDC (parallel); 90VDC (serial)
- Dielectric withstanding voltage: 500 VDC

MECHANICAL

- Select silver plated contact interface to Cree XLamp MP-L LED
- Secure attachment to substrate using three standard #4 or M3 screws
- Wire version incorporates 6 position AMP Mini CT header
- Low profile- <3 mm height around the dome (w/o latches) and 5.20 mm high at the connector interface
- Select silver plated contact interface to Cree XLamp MP-L LED
- 6 line parallel terminations in both wire and board versions
- Parallel wire version accepts 6 conductor AMP Mini CT wire assembly
- 2 line serial terminations in both wire and board versions
- Serial wire version accepts 2 conductor AMP Mini CT wire assembly

MATERIALS

- Housings: 94 V0 rated high temperature resistant thermoplastic
- Contacts:
- Base material copper alloy
 - Silver plated interface to Cree XLamp MP-L LED
 - Tin plated interface to AMP Mini CT or to PCB

APPLICATIONS AND SPECIFICATION

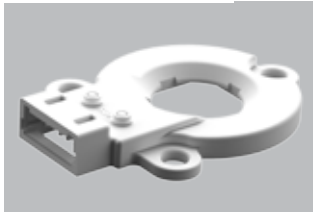
- Product Specification 108-2439
- Application specification 114-13281
- UL 1977 File No. E28476
- CSA C22.2 No. 182.3

PRODUCT OFFERINGS

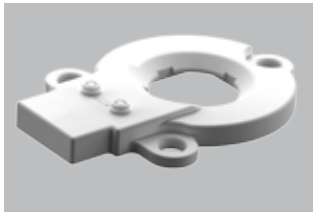
Parallel	Serial	Description
2106946-1	2106947-1	LED to Wire, w/o Optics Latch
2106946-2	2106947-2	LED to Wire, w/ Optics Latch
2106946-3	2106947-3	LED to Board, w/o Optics Latch
2106946-4	2106947-4	LED to Board, w/ Optics Latch
2106946-5	2106947-5	LED to Inverted Wire, w/o Optics Latch
2106946-6	2106947-6	LED to Inverted Wire, w/ Optics Latch
	2154000-1	AMP Mini CT, 2 Conductor Cable Assembly
2058943-5		AMP Mini CT, 6 Conductor Cable Assembly

WITHOUT LATCHES

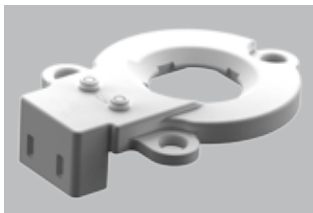
WITH OPTIC LATCHES



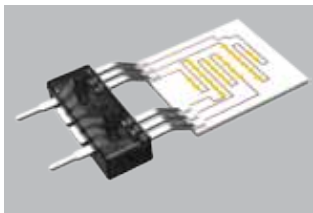
LED to Wire



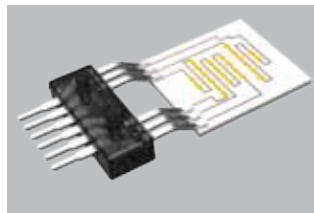
LED to Board



LED to Inverted Wire

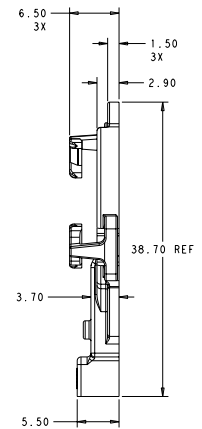
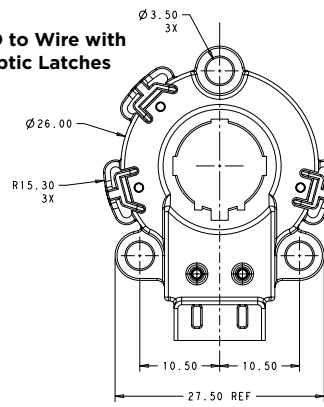


Class 1, serial schematic

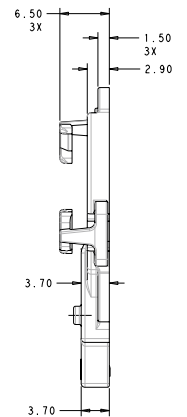
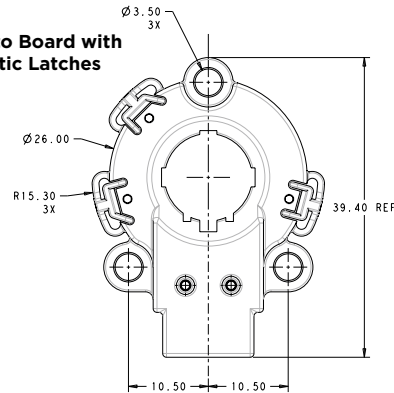


Class 2, parallel schematic

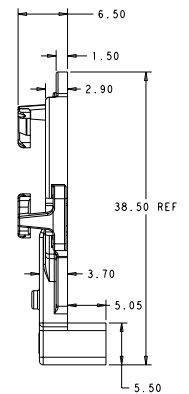
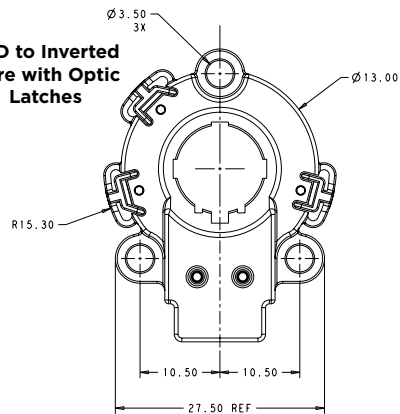
LED to Wire with Optic Latches



LED to Board with Optic Latches



LED to Inverted Wire with Optic Latches



FOR MORE INFORMATION

te.com/products/lighting

TE Technical Support Center

USA: +1 (800) 522-6752
Canada: +1 (905) 475-6222
Mexico: +52 (0) 55-1106-0800
Latin/S. America: +54 (0) 11-4733-2200
Germany: +49 (0) 6251-133-1999
UK: +44 (0) 800-267666
France: +33 (0) 1-3420-8686
Netherlands: +31 (0) 73-6246-999
China: +86 (0) 400-820-6015

Part numbers in this brochure are RoHS Compliant*, unless marked otherwise.

*as defined www.te.com/leadfree

te.com

© 2011 Tyco Electronics Corporation, a TE Connectivity Ltd. Company. All Rights Reserved.

5-1773457-1 CIS MS 05/2011

AMP, TE Connectivity and TE connectivity (logo) are trademarks. Other logos, product and/or company names might be trademarks of their respective owners. Cree and XLamp are registrations and MP-L is a trademark of Cree, Inc.

While TE has made every reasonable effort to ensure the accuracy of the information in this brochure, TE does not guarantee that it is error-free, nor does TE make any other representation, warranty or guarantee that the information is accurate, correct, reliable or current. TE reserves the right to make any adjustments to the information contained herein at any time without notice. TE expressly disclaims all implied warranties regarding the information contained herein, including, but not limited to, any implied warranties of merchantability or fitness for a particular purpose. The dimensions in this catalog are for reference purposes only and are subject to change without notice. Specifications are subject to change without notice. Consult TE for the latest dimensions and design specifications.

