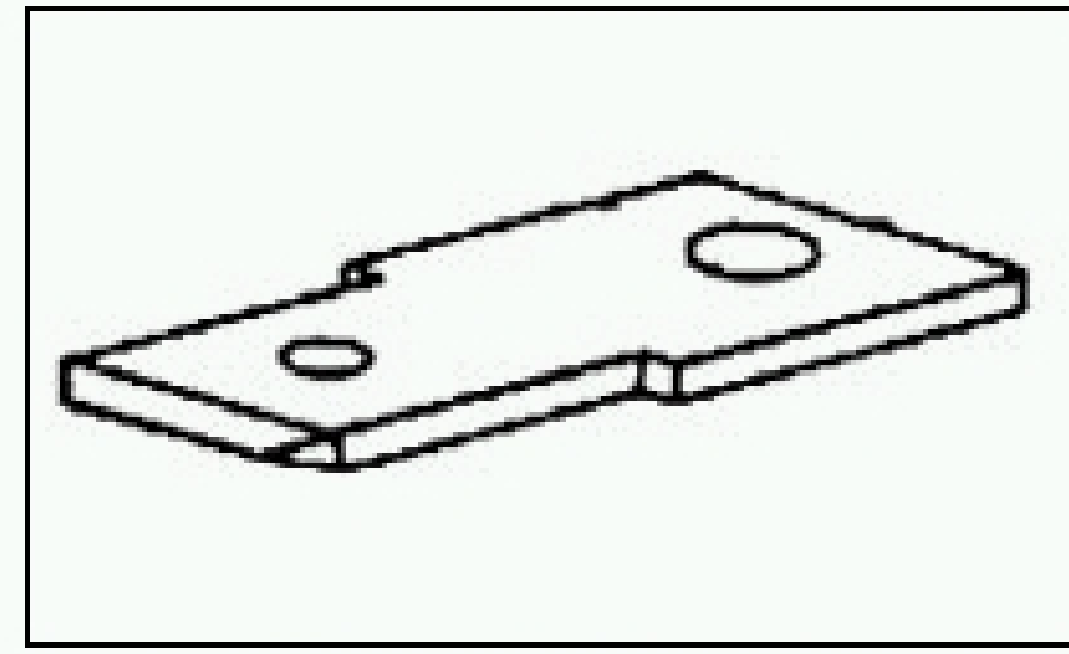


1742375-1 Product Details



1742375-1

TE Part Number: 1742375-1

✓ Active

[Add to Part List](#)

Quick Disconnect Tabs, Tab Adapters & Tab Caps

Always EU RoHS/ELV Compliant (Statement of Compliance)

Product Highlights:

- Tab
- Tab Type = Stud Mount
- Connection Type = Single
- Tab Fit = 9.53 x 1.19 mm
- Brass Material

[View all Features](#) | [Find Similar Products](#)

[Live Product Chat](#)

Quick Links

- ▶ [Check Pricing & Availability](#)
- ▶ [Search for Tooling](#)
- ▶ [Product Feature Selector](#)
- ▶ [Contact Us About This Product](#)

Documentation & Additional Information

Product Drawings:

- [TAB, FASTON, .375 SERIES](#) (PDF, English)

Catalog Pages/Data Sheets:

- None Available

Product Specifications:

- None Available

Application Specifications:

- None Available

Instruction Sheets:

- None Available

CAD Files:

- None Available

Additional Information:

- [Product Line Information](#)

Related Products:

- [Tooling](#)

[List all Documents](#)

Product Features (Please use the Product Drawing for all design activity)

Product Type Features:

- [Product Type](#) = Tab
- [Connection Type](#) = Single
- [Tab Fit \(mm \[in\]\)](#) = 9.53 x 1.19 [.375 x .047]
- [Material](#) = Brass
- [Finish](#) = Tin
- [Mount Angle](#) = Straight
- [Insulation Support](#) = Without
- [Stud Diameter \(mm \[in\]\)](#) = 4.50 [0.177]
- [CSA Certified](#) = Yes

Electrical Characteristics:

- [Dimple](#) = Without

Body Related Features:

- [Tab Type](#) = Stud Mount
- [Stud Hole](#) = With
- [UL Rating](#) = Recognized

Industry Standards:

- [RoHS/ELV Compliance](#) = RoHS compliant, ELV compliant
- [Lead Free Solder Processes](#) = Not relevant for lead free process
- [RoHS/ELV Compliance History](#) = Always was RoHS compliant

Packaging Related Features:

- [Packaging Method](#) = Loose Piece

Other:

- [Brand](#) = AMP