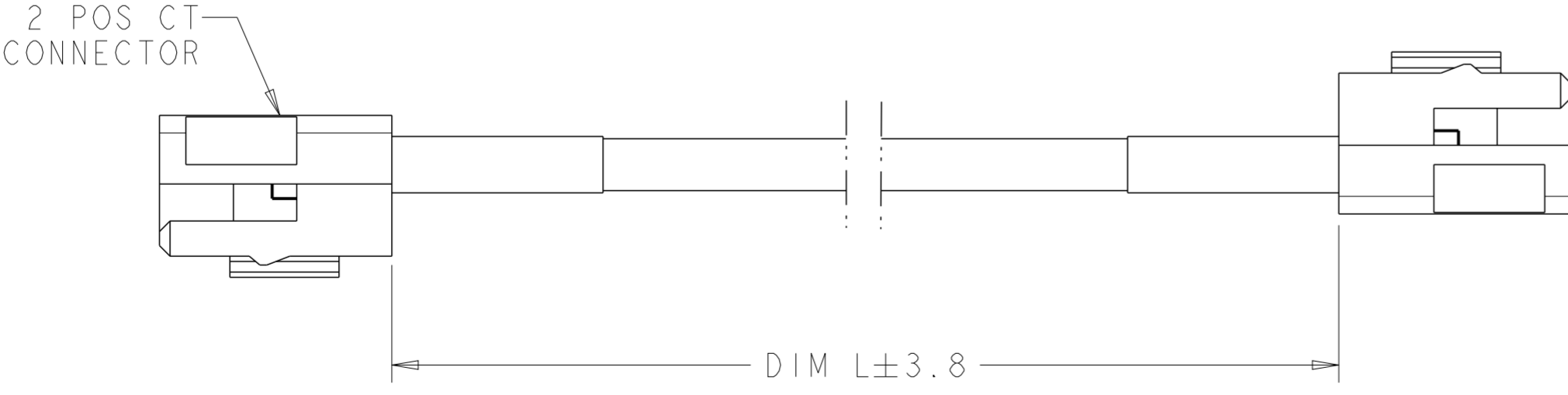
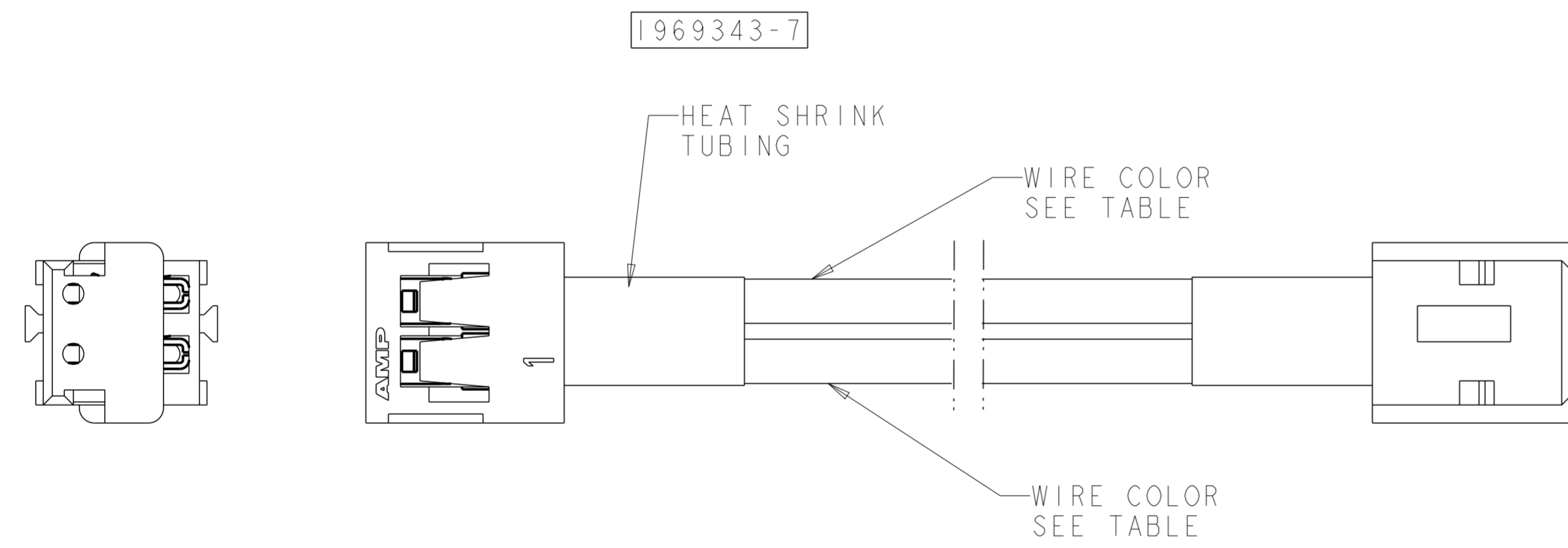
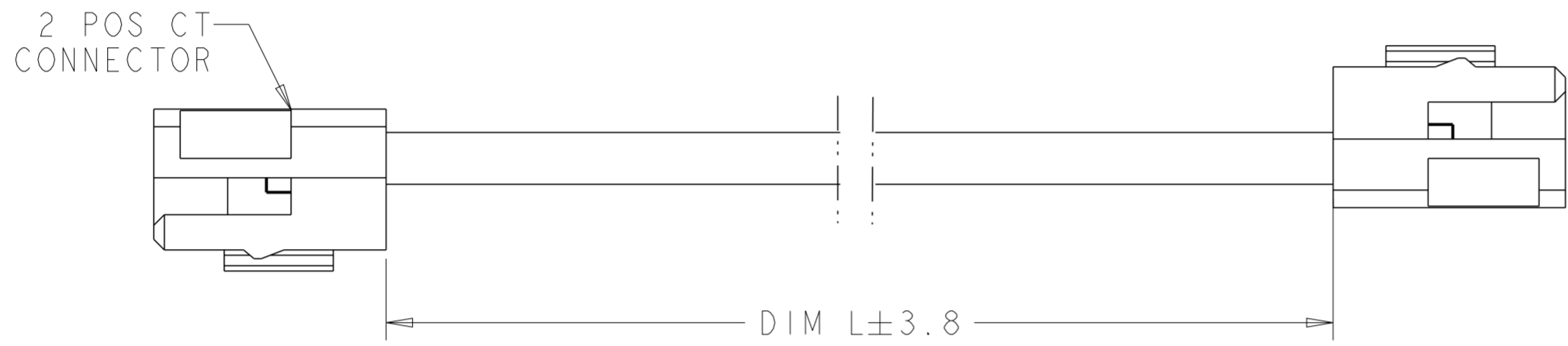
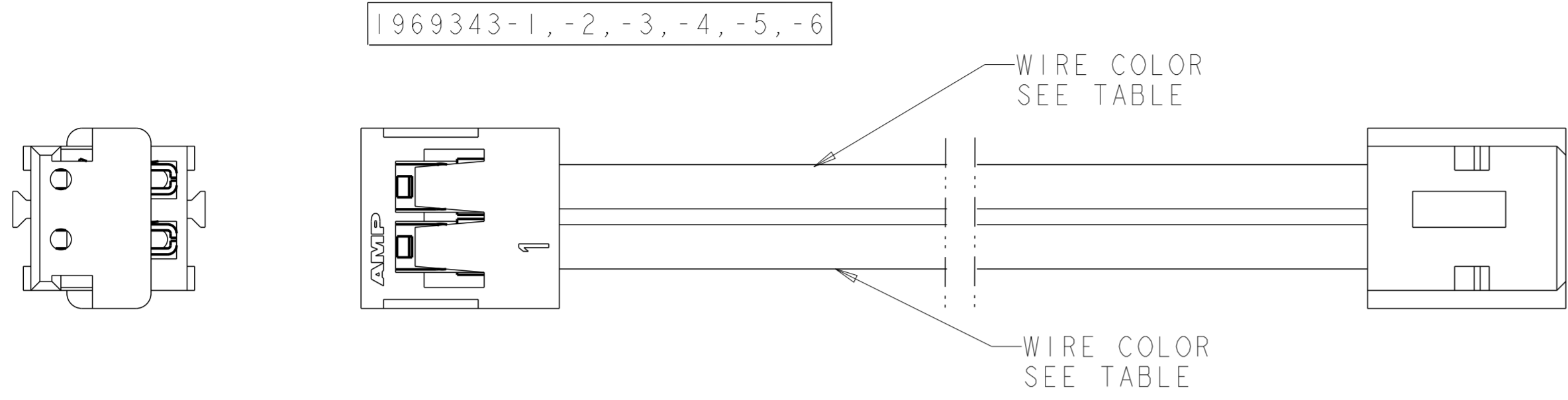
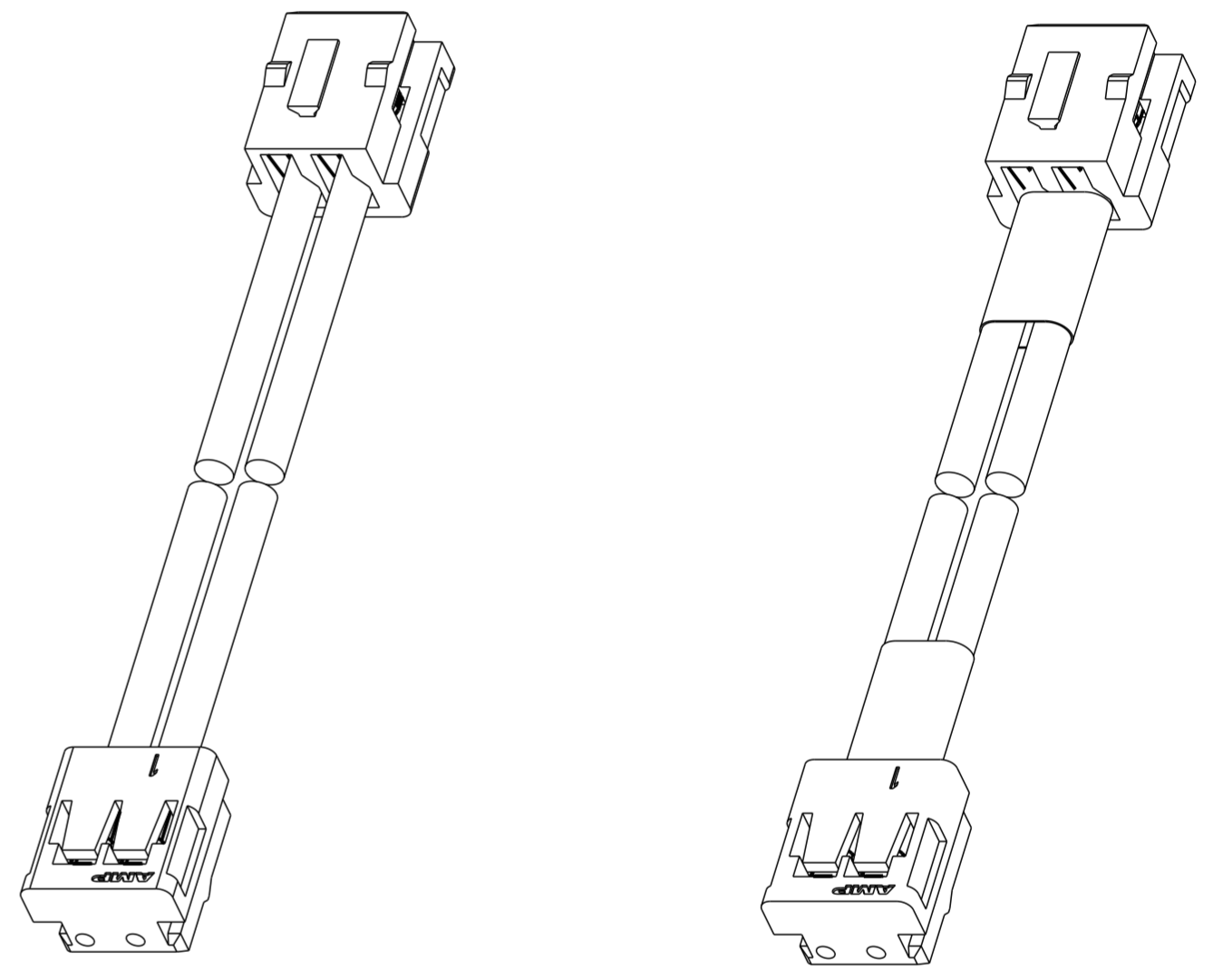


THIS DRAWING IS UNPUBLISHED. RELEASED FOR PUBLICATION 20  
 © COPYRIGHT 20 BY - ALL RIGHTS RESERVED.

| LOC | DIST | REVISIONS         |           |     |      |
|-----|------|-------------------|-----------|-----|------|
| P   | LTR  | DESCRIPTION       | DATE      | DWN | APVD |
| B   |      | PER ECR-11-017710 | 28MAR2012 | PB  | PB   |
| C   |      | ECR-13-004256     | 11MAR2013 | TB  | DM   |
| E   |      | ECR-13-013625     | 29AUG2013 | TB  | DM   |



⚠ MATERIALS AND FINISH:  
 HOUSING: NYLON, COLOR: BLACK  
 CONTACTS: COPPER ALLOY, FINISH: Ag OVER Sn  
 WIRE: 24 AWG, UL 1007  
 2. MUST COMPLY WITH DIRECTIVE 2002/95/EC (ROHS)



1969343-1, -2, -3, -4, -5, -6  
 SCALE 4:1

1969343-7  
 SCALE 4:1

|                        |                        |       |           |
|------------------------|------------------------|-------|-----------|
| WHITE                  | WHITE                  | 150.0 | 1969343-7 |
| WHITE                  | WHITE                  | 300.0 | 1969343-6 |
| WHITE                  | WHITE                  | 150.0 | 1969343-5 |
| WHITE                  | WHITE                  | 50.0  | 1969343-4 |
| BLACK                  | RED                    | 300.0 | 1969343-3 |
| BLACK                  | RED                    | 150.0 | 1969343-2 |
| BLACK                  | RED                    | 50.0  | 1969343-1 |
| WIRE COLOR POSITION #2 | WIRE COLOR POSITION #1 | DIM L | PART NO.  |

THIS DRAWING IS A CONTROLLED DOCUMENT.

|                   |   |  |   |              |               |
|-------------------|---|--|---|--------------|---------------|
| DIMENSIONS:<br>mm | TOLERANCES UNLESS OTHERWISE SPECIFIED:<br>0 PLC ±<br>1 PLC ±<br>2 PLC ±<br>3 PLC ±<br>4 PLC ±<br>ANGLES ±<br>FINISH | DWN JR RUTH 10DEC09<br>CHK D DECKER 10DEC09<br>APVD D DECKER 10DEC09<br>PRODUCT SPEC<br>APPLICATION SPEC<br>WEIGHT | TE Connectivity<br>NAME<br><b>CABLE ASSEMBLY CT, 2 POSITION</b> |              | RESTRICTED TO |
| MATERIAL          |   | SIZE A2<br>CAGE CODE 00779<br>DRAWING NO. C-1969343  | SCALE NTS   | SHEET 1 OF 1 | REV E         |

CUSTOMER DRAWING