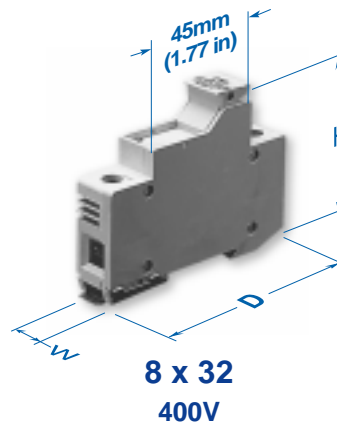


CYLINDER FUSE BASES

Fuse Bases secure the fuses in place and insure proper electrical connections. Fuse Bases are available in one, two, three and four pole designs.

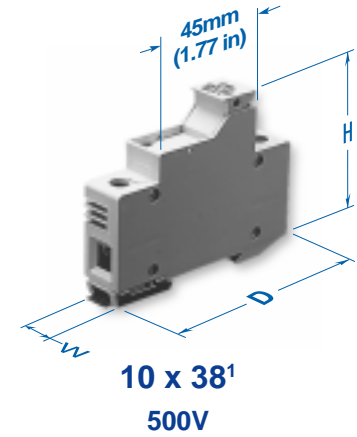
Types 8x32 and 10x38 are easily DIN rail mounted; Types 14x51 and 22x58 can be DIN rail mounted or mounted to any flat surface.

Cylinder Fuse Bases are available with optional blown fuse indication.¹



No. of Poles	Cat. No.	Approx. Dim. mm (in.)		
		Height	Width	Depth
1	CB832-1	77 (3.03)	17.5 (0.69)	63.5 (2.50)
2	CB823-1N	77 (3.03)	35 (1.38)	63.5 (2.50)
2	CB832-2	77 (3.03)	35 (1.38)	63.5 (2.50)
3	CB823-3	77 (3.03)	52.5 (2.07)	63.5 (2.50)
4	CB823-3N	77 (3.03)	70 (2.76)	63.5 (2.50)

Std. Pk. 1



No. of Poles	Cat. No.	Approx. Dim. mm (in.)		
		Height	Width	Depth
1	CB1038-1	77 (3.03)	17.5 (0.69)	63.5 (2.50)
2	CB1038-1N	77 (3.03)	35 (1.38)	63.5 (2.50)
2	CB1038-2	77 (3.03)	35 (1.38)	63.5 (2.50)
3	CB1038-3	77 (3.03)	52.5 (2.07)	63.5 (2.50)
4	CB1038-3N	77 (3.03)	70 (2.76)	63.5 (2.50)

Std. Pk. 1



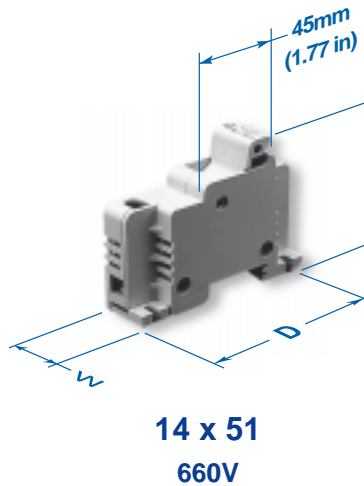
Rated at 600V, 30A

Maximum Rating for
Cylinder Fuse Bases

Cylinder Base	Fuse		
	400V	500V	660V
8x32	20A	–	–
10x38	32A	25A	–
14x51	50A	32A	25A
22x58	125A	100A	80A

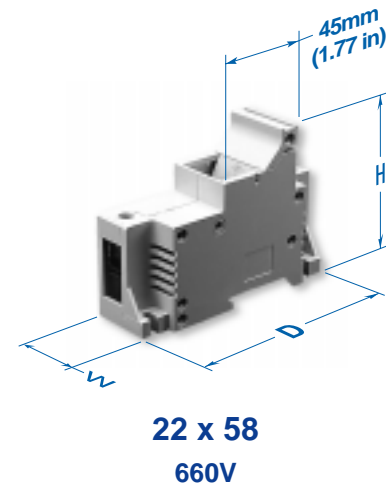
Wire Range

Cylinder Base	min	max	
		stranded wire	solid wire
8x32	1mm ²	16mm ²	25mm ²
10x38	1mm ²	16mm ²	25mm ²
14x51	1mm ²	25mm ²	35mm ²
22x58	1.5mm ²	35mm ²	50mm ²



No. of Poles	Cat. No.	Approx. Dim. mm (in.)		
		Height	Width	Depth
1	CB1451-1	100 (3.94)	26 (1.02)	73 (2.87)
2	CB1451-1N	100 (3.94)	52 (2.05)	73 (2.87)
2	CB1451-2	100 (3.94)	52 (2.05)	73 (2.87)
3	CB1451-3	100 (3.94)	78 (3.07)	73 (2.87)
4	CB1451-3N	100 (3.94)	104 (4.09)	73 (2.87)

Std. Pk. 1



No. of Poles	Cat. No.	Approx. Dim. mm (in.)		
		Height	Width	Depth
1	CB2258-1	140 (5.51)	35 (1.38)	90 (3.54)
2	CB2258-1N	140 (5.51)	70 (2.76)	90 (3.54)
2	CB2258-2	140 (5.51)	70 (2.76)	90 (3.54)
3	CB2258-3	140 (5.51)	105 (4.13)	90 (3.54)
4	CB2258-3N	140 (5.51)	140 (5.51)	90 (3.54)

Std. Pk. 1

¹ To order with blown fuse indicator, designate suffix "I" after the Cat. No.