

Abox Series

The Abox family consists of six enclosures that feature an attractive modern design and shape that allow for optimum use of installation space. Each enclosure has either membranes or knockouts on each sidewall and on the backside.

Two of the six enclosures in this family feature "Dual Molding Technology". This feature incorporates rubber membranes molded right into the polystyrene body. This allows the user to simply push wires through the membrane or cut them out to install a cable gland. These access holes can accommodate metric cable glands and entry spouts.

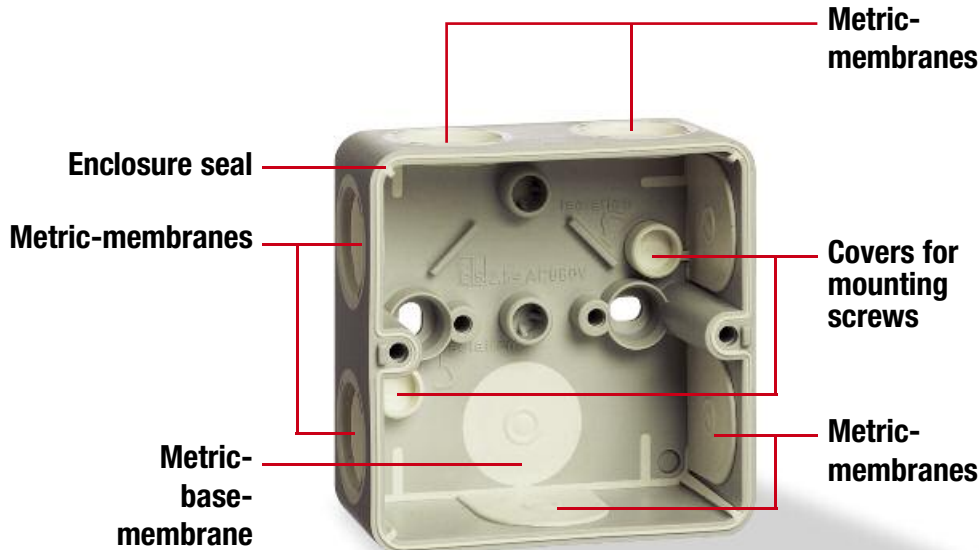
Abox Enclosures are available in sizes ranging from 80 x 80 x 52 mm (3.15 x 3.15 x 2.05 in.) to 250 x 250 x 115 mm (9.84 x 9.84 x 4.53 in.).

Most enclosures in the family can maintain IP65 protection with the use of complementary IP65 cable glands. The dual membrane models are IP65, without the addition of cable glands.

- Two to four high grade self tapping screws secure the lid
- Tongue and groove sealing system with polyurethane gasket
- Made from non-flammable Polystyrene

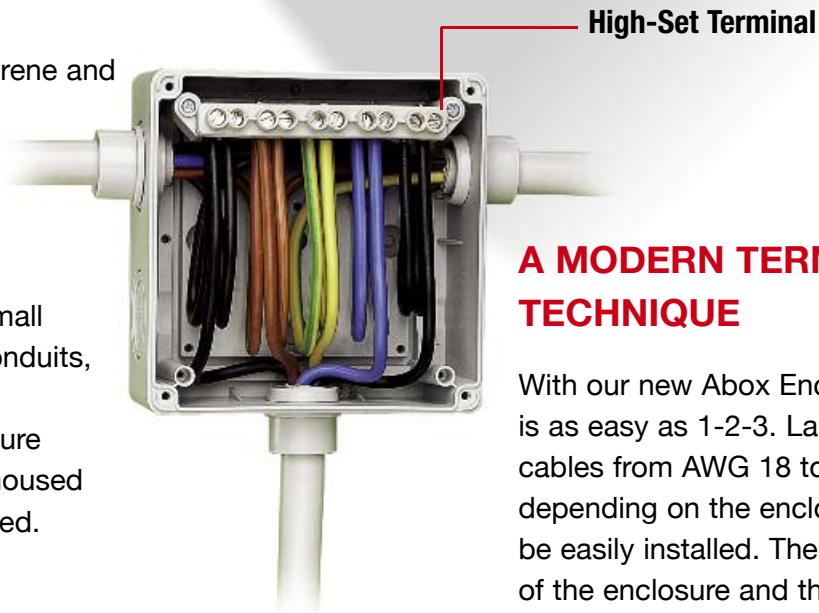
ABOX Enclosure Series

Altech
by els spelsberg



CONVENIENCE AND RELIABILITY

Abox Enclosures are manufactured in Polystyrene and are approved by several international test agencies. The unique design of Metric-Membranes allows for installation of large or small cables, cable glands, conduits, and entry spouts while ensuring that the enclosure remains sealed and all housed components are protected.



A MODERN TERMINAL TECHNIQUE

With our new Abox Enclosures wiring is as easy as 1-2-3. Large numbers of cables from AWG 18 to AWG 2 depending on the enclosure size, can be easily installed. The square shape of the enclosure and the domed cover provide ample room for even the toughest wiring job.

Abox 025 – Polystyrene – 80 x 80 mm (3.15 x 3.15 in.)

Standard Features

- **Protection Level:** IP65
- **Technical:** Self Sealing Soft Elastic Membranes
Suitable for Metric Entry
- **Sealing Area:** M20 - 2 to 16mm
- **UL Recognized**
- **Enclosure Material:** Polystyrene
- **Gasket Material:** Polyurethane
- **Color:** Light Gray or White
- **Material**
- **Temperature Range:** Polystyrene
-25°C to 70°C (-13°F to 158°F)
- **Accessories:** See section below



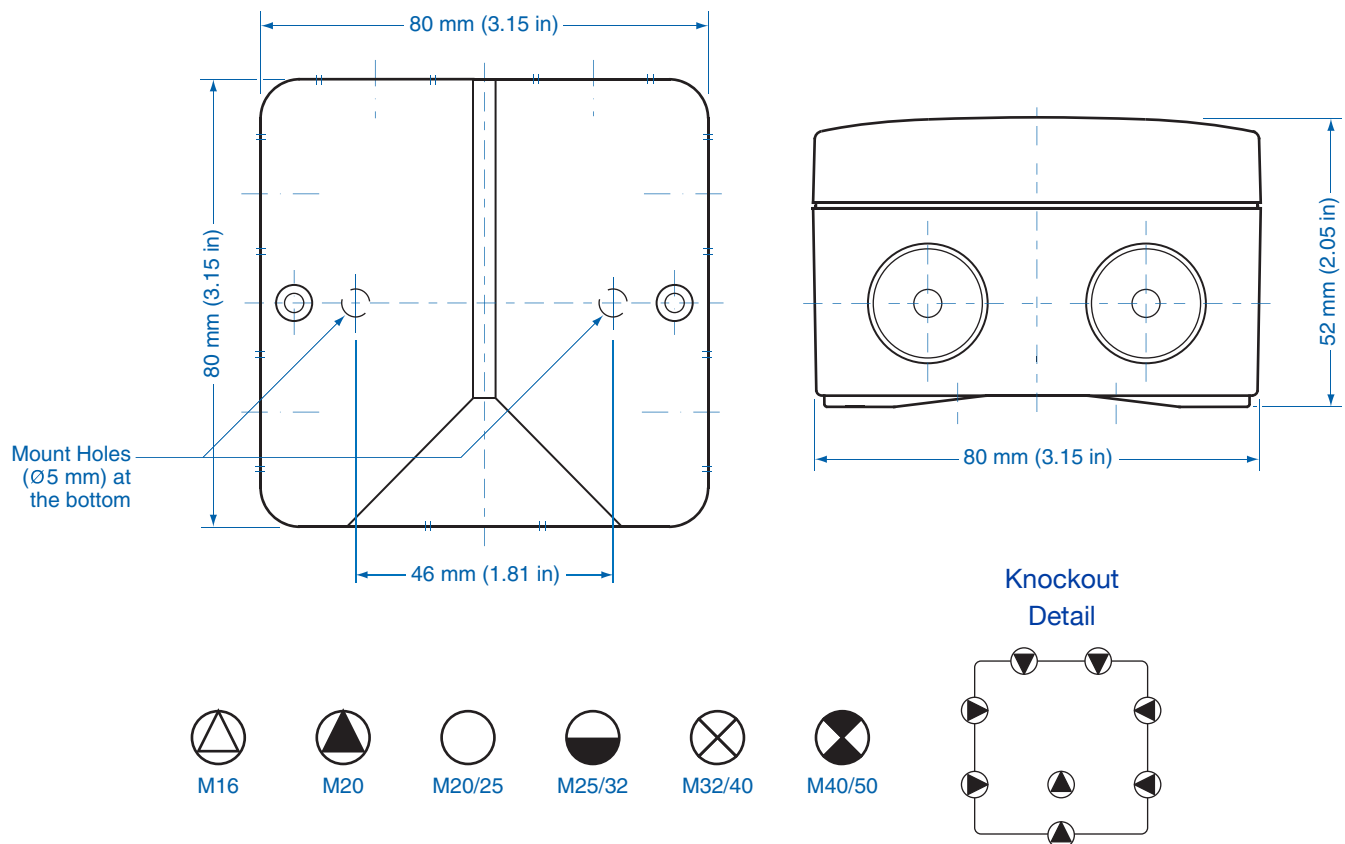
Abox

| Ordering Information | Cat. No. | Color | Terminal | Length | Dimensions mm (in) | | Std. Pk. |
|--------------------------|----------|-------|------------------|-----------------|--------------------|-----------------|----------|
| | | | | | Width | Height | |
| Enclosure with terminals | 802-407 | gray | 2.5 mm2 - 5 pole | 80 mm (3.15 in) | 80 mm (3.15 in) | 52 mm (2.05 in) | 3 |
| Enclosure with terminals | 802-107 | white | 2.5 mm2 - 5 pole | 80 mm (3.15 in) | 80 mm (3.15 in) | 52 mm (2.05 in) | 3 |
| Enclosure - empty | 802-907 | gray | NA | 80 mm (3.15 in) | 80 mm (3.15 in) | 52 mm (2.05 in) | 3 |
| Enclosure - empty | 802-607 | white | NA | 80 mm (3.15 in) | 80 mm (3.15 in) | 52 mm (2.05 in) | 3 |

Accessories

| Ordering Information | Cat. No. | Type | Std. Pk. |
|-----------------------|----------|--------------------|----------|
| Terminal (base mount) | 840-004 | 2.5/4 mm2 - 5 pole | 10 |

Please refer to pages 136-140 for additional accessories and detailed information.



Standard Features

- **Protection Level:** IP65
- **Technical:** Self Sealing Soft Elastic Membranes
Suitable for Metric Entry
- **Sealing Area:** M20 - 2 to 16mm
- **UL Recognized**
- **Enclosure Material:** Polystyrene
- **Gasket Material:** Polyurethane
- **Color:** Light Gray or White
- **Material**
- **Temperature Range:** Polystyrene
-25°C to 70°C (-13°F to 158°F)
- **Accessories:** See section below



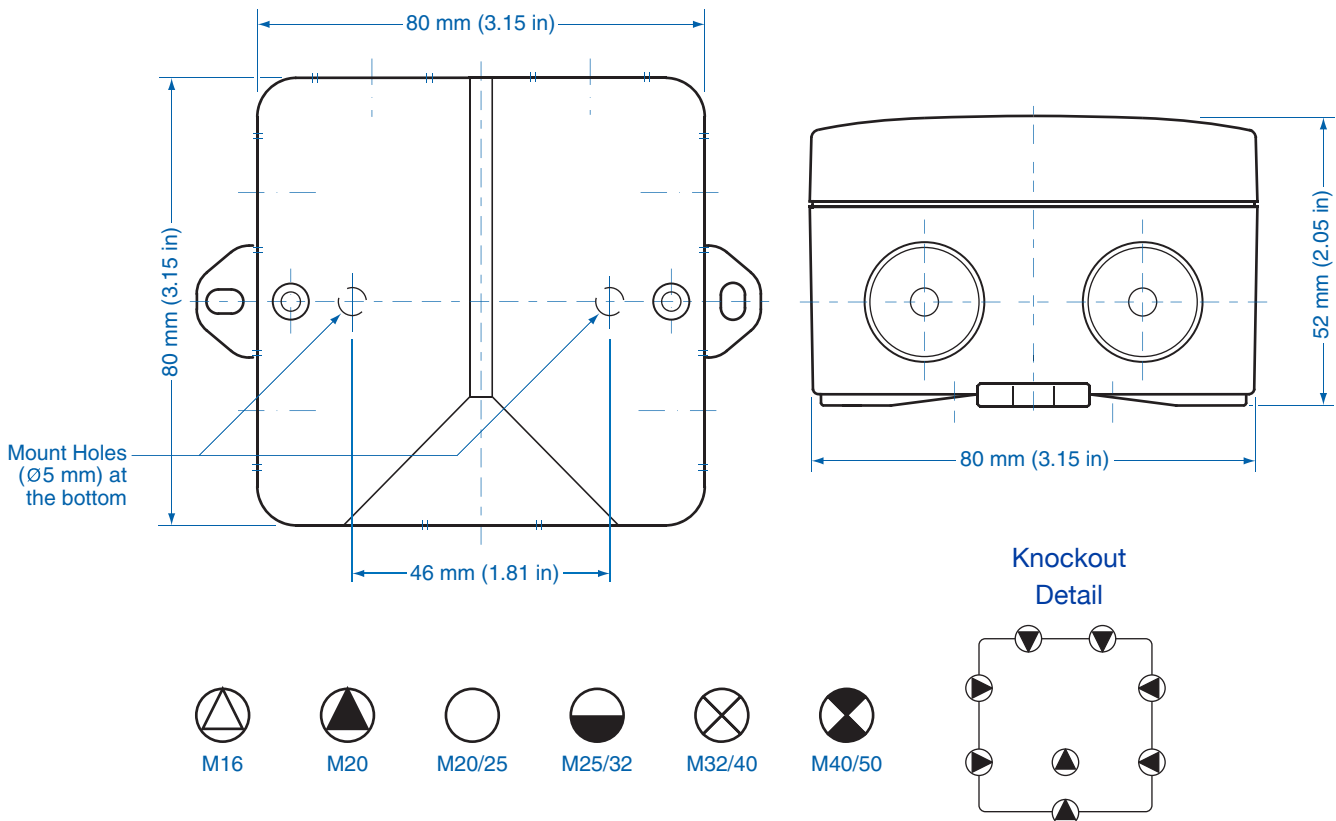
Abox

| Ordering Information | Cat. No. | Color | Terminal | Length | Dimensions mm (in) | | Std. Pk. |
|--------------------------|----------|-------|------------------|-----------------|--------------------|-----------------|----------|
| | | | | | Width | Height | |
| Enclosure with terminals | 803-407 | gray | 2.5 mm2 - 5 pole | 80 mm (3.15 in) | 80 mm (3.15 in) | 52 mm (2.05 in) | 3 |
| Enclosure with terminals | 803-107 | white | 2.5 mm2 - 5 pole | 80 mm (3.15 in) | 80 mm (3.15 in) | 52 mm (2.05 in) | 3 |
| Enclosure - empty | 803-907 | gray | NA | 80 mm (3.15 in) | 80 mm (3.15 in) | 52 mm (2.05 in) | 3 |
| Enclosure - empty | 803-607 | white | NA | 80 mm (3.15 in) | 80 mm (3.15 in) | 52 mm (2.05 in) | 3 |

Accessories

| Ordering Information | Cat. No. | Type | Std. Pk. |
|-----------------------|----------|--------------------|----------|
| Terminal (base mount) | 840-004 | 2.5/4 mm2 - 5 pole | 10 |

Please refer to pages 136-140 for additional accessories and detailed information.



Abox 040 – Polystyrene – 93 x 93 mm (3.66 x 3.66 in.)

Standard Features

- **Protection Level:** IP65
- **Technical:** Self Sealing Soft Elastic Membranes
Suitable for Metric Entry
- **Sealing Area:** M20 - 2 to 16mm
- **UL Recognized**
- **Enclosure Material:** Polystyrene
- **Gasket Material:** Polyurethane
- **Color:** Light Gray or White
- **Material**
- **Temperature Range:** Polystyrene
-25°C to 70°C (-13°F to 158°F)
- **Accessories:** See section below



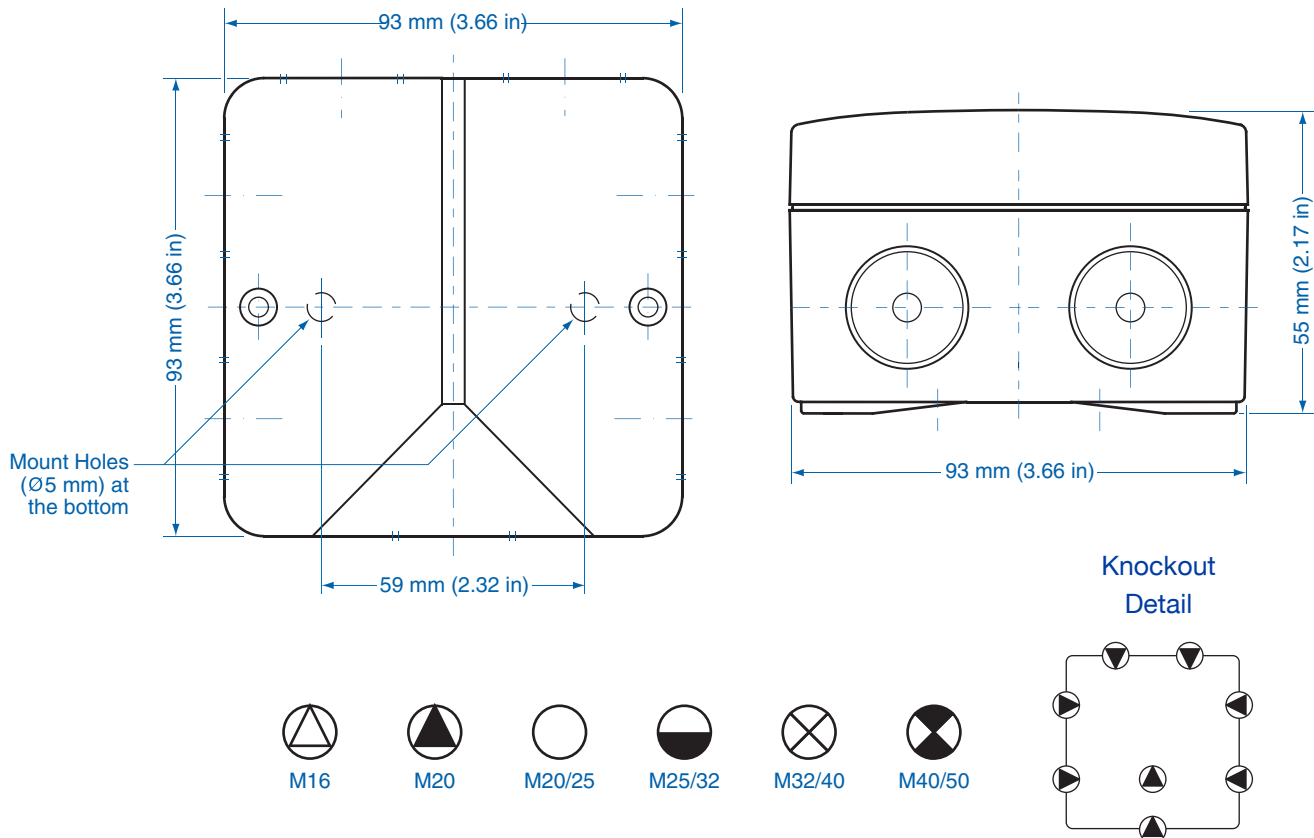
Abox

| Ordering Information | Cat. No. | Color | Terminal | Length | Dimensions mm (in) Width | Height | Std. Pk. |
|--------------------------|----------|-------|----------------------------|-----------------|-----------------------------|-----------------|----------|
| Enclosure with terminals | 804-407 | gray | 4 mm ² - 5 pole | 93 mm (3.66 in) | 93 mm (3.66 in) | 55 mm (2.17 in) | 3 |
| Enclosure with terminals | 804-107 | white | 4 mm ² - 5 pole | 93 mm (3.66 in) | 93 mm (3.66 in) | 55 mm (2.17 in) | 3 |
| Enclosure - empty | 804-907 | gray | NA | 93 mm (3.66 in) | 93 mm (3.66 in) | 55 mm (2.17 in) | 3 |
| Enclosure - empty | 804-607 | white | NA | 93 mm (3.66 in) | 93 mm (3.66 in) | 55 mm (2.17 in) | 3 |

Accessories

| Ordering Information | Cat. No. | Type | Std. Pk. |
|-----------------------|----------|-----------------------------------|----------|
| Terminal (base mount) | 840-004 | 2.5/4 mm ² - 5 pole 10 | |

Please refer to pages 136-140 for additional accessories and detailed information.



Standard Features

- **Protection Level:** IP54* / IP65**
- **Technical:** Knockout Sidewalls
- **UL Recognized**
- **Enclosure Material:** Polystyrene
- **Gasket Material:** Polyurethane
- **Color:** Light Gray or White
- **Material**
- **Temperature Range:** Polystyrene
-25°C to 70°C (-13°F to 158°F)
- **Included Accessories:** (4) M25 Entry Spouts for Cables 9-18mm
(1) M25 Sealing Plug
- **Accessories:** See section below



* With Supplied Entry Spouts
** As Equipped or With Optional IP65 Cable Glands

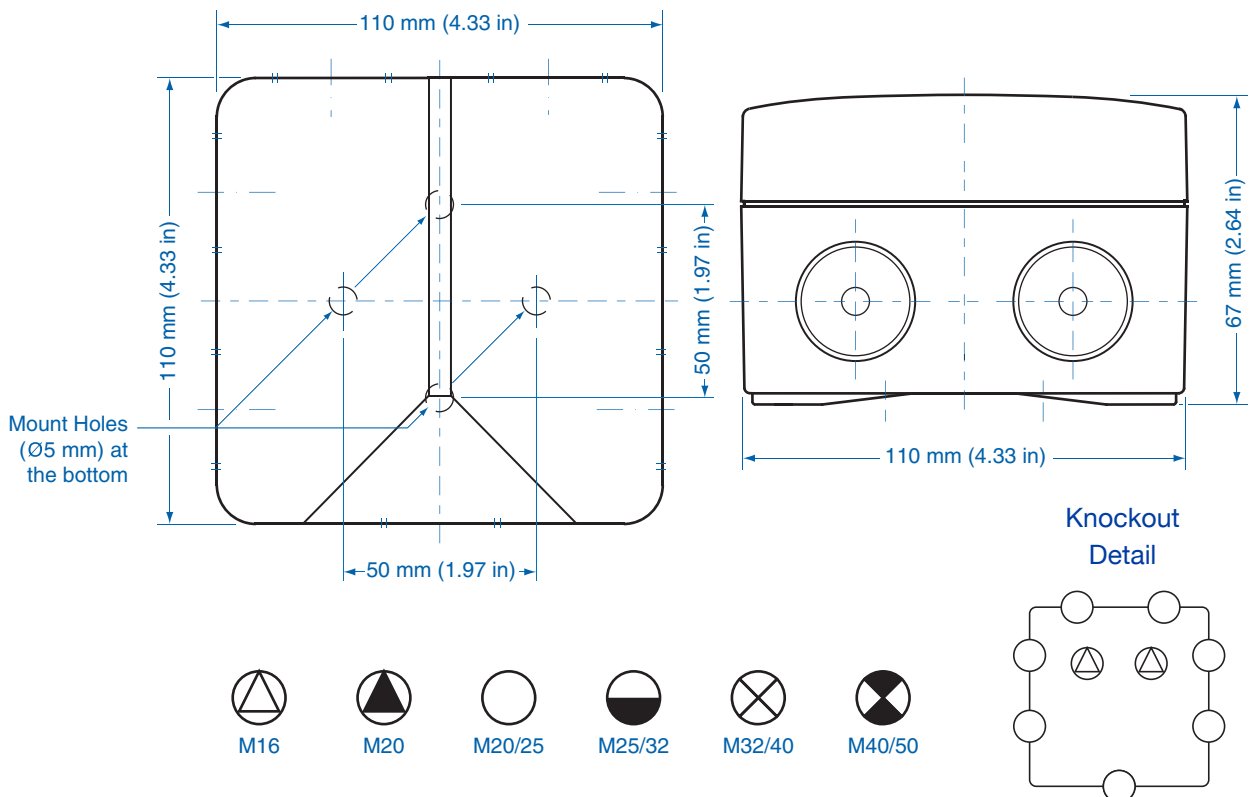
Abox

| Ordering Information | Cat. No. | Color | Terminal | Length | Dimensions mm (in) | | Std. Pk. |
|--------------------------|----------|-------|----------------|------------------|--------------------|-----------------|----------|
| | | | | | Width | Height | |
| Enclosure with terminals | 806-407 | gray | 6 mm2 - 5 pole | 110 mm (4.33 in) | 110 mm (4.33 in) | 67 mm (2.64 in) | 2 |
| Enclosure - empty | 806-907 | gray | NA | 110 mm (4.33 in) | 110 mm (4.33 in) | 67 mm (2.64 in) | 2 |

Accessories

| Ordering Information | Cat. No. | Type | Std. Pk. |
|---------------------------|----------|----------------|----------|
| Mounting Plate | 895-006 | MP060 | 1 |
| DIN Rail TS 35 – 35x81 mm | 198-081 | TS 35/81 | 1 |
| Terminal (high-set) | 840-006 | 6 mm2 - 5 pole | 5 |

Please refer to pages 136-140 for additional accessories and detailed information.



Abox 100 – Polystyrene – 140 x 140 mm (5.51 x 5.51 in.)

Standard Features

- **Protection Level:** IP54* / IP65**
- **Technical:** Knockout Sidewalls
- **UL Recognized**
- **Enclosure Material:** Polystyrene
- **Gasket Material:** Polyurethane
- **Color:** Light Gray or White
- **Material**
- **Temperature Range:** Polystyrene
-25°C to 70°C (-13°F to 158°F)
- **Included Accessories:** (4) M32 Entry Spouts for Cables 11-23mm
(1) M32 Sealing Plug
- **Accessories:** See section below



* With Supplied Entry Spouts
** As Equipped or With Optional IP65 Cable Glands

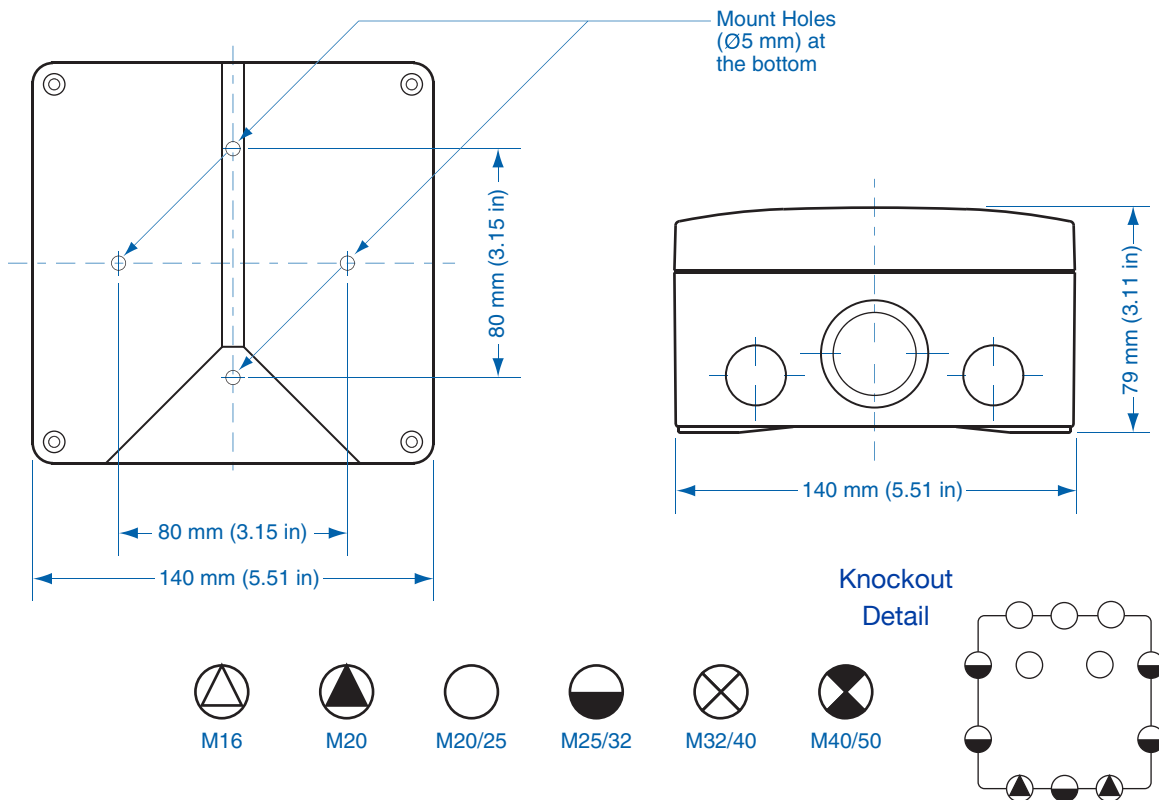
Abox

| Ordering Information. | Cat. No | Color | Terminal | Length | Dimensions mm (in) | | Std. Pk. |
|--------------------------|---------|-------|---------------|------------------|--------------------|-----------------|----------|
| | | | | | Width | Height | |
| Enclosure with terminals | 810-410 | gray | 10 mm2-5 pole | 140 mm (5.51 in) | 140 mm (5.51 in) | 79 mm (3.11 in) | 2 |
| Enclosure - empty | 810-910 | gray | NA | 140 mm (5.51 in) | 140 mm (5.51 in) | 79 mm (3.11 in) | 2 |

Accessories

| Ordering Information | Cat. No. | Type | Std. Pk. |
|----------------------------|----------|-----------------|----------|
| Mounting Plate | 895-010 | MP100 | 1 |
| DIN Rail TS 35 – 35x106 mm | 198-106 | TS 35/106 | 1 |
| Terminal (high-set) | 840-010 | 10 mm2 - 5 pole | 5 |

Please refer to pages 136-140 for additional accessories and detailed information.



Standard Features

- **Protection Level:** IP54* / IP65**
- **Technical:** Knockout Sidewalls
- **UL Recognized**
- **Enclosure Material:** Polystyrene
- **Gasket Material:** Polyurethane
- **Color:** Light Gray or White
- **Material**
- **Temperature Range:** Polystyrene
-25°C to 70°C (-13°F to 158°F)
- **Included Accessories:** (4) M40 Entry Spouts for Cables 17-30mm
(1) M40 Sealing Plug
(1) Tamper Kit
- **Accessories:** See section below



* With Supplied Entry Spouts
**As Equipped or With Optional IP65 Cable Glands

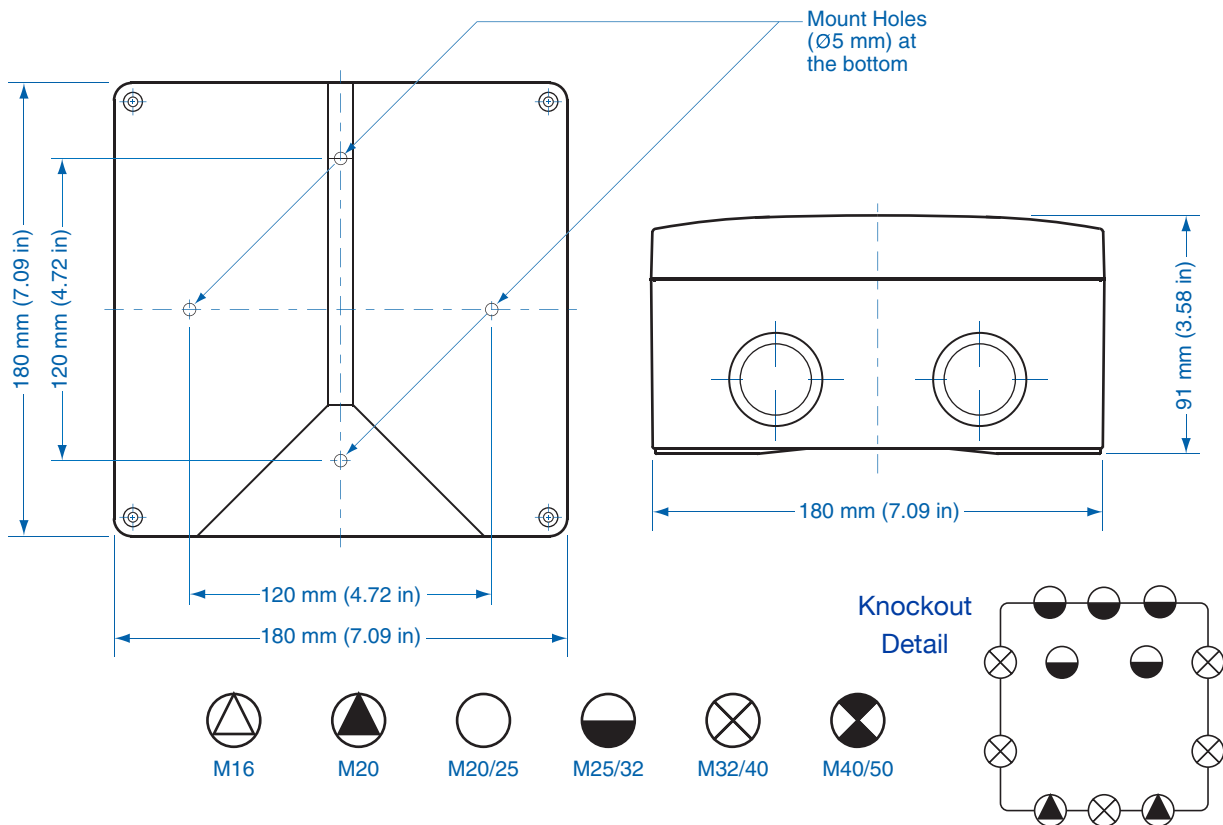
Abox

| Ordering Information | Cat. No. | Color | Terminal | Length | Dimensions mm (in) | | Std. Pk. |
|--------------------------|----------|-------|------------------|------------------|--------------------|-----------------|----------|
| | | | | | Width | Height | |
| Enclosure with terminals | 816-410 | gray | 16/25 mm2-5 pole | 180 mm (7.09 in) | 180 mm (7.09 in) | 91 mm (3.58 in) | 1 |
| Enclosure - empty | 816-910 | gray | NA | 180 mm (7.09 in) | 180 mm (7.09 in) | 91 mm (3.58 in) | 1 |

Accessories

| Ordering Information | Cat. No. | Type | Std. Pk. |
|----------------------------|----------|-------------------|----------|
| Mounting Plate | 895-016 | MP160 | 1 |
| DIN Rail TS 35 – 35x144 mm | 894-016 | TS 35/144 | 1 |
| Terminal (high-set) | 840-016 | 16/25mm2 - 5 pole | 2 |

Please refer to pages 136-140 for additional accessories and detailed information.



Abox 350 – Polystyrene – 250 x 250 mm (9.84 x 9.84 in.)

Standard Features

- **Protection Level:** IP54* / IP65**
- **Technical:** Knockout Sidewalls
- **UL Recognized**
- **Enclosure Material:** Polystyrene
- **Gasket Material:** Polyurethane
- **Color:** Light Gray or White
- **Material**
- **Temperature Range:** Polystyrene
-25°C to 70°C (-13°F to 158°F)
- **Included Accessories:** (4) M40 Entry Spouts for Cables 17-30mm
(1) M40 Sealing Plug
(1) Tamper Kit
- **Accessories:** See section below



* With Supplied Entry Spouts

**As Equipped or With Optional IP65 Cable Glands

Abox

| Ordering Information | Cat. No. | Color | Terminal | Length | Dimensions mm (in) | | Std. Pk. |
|--------------------------|----------|-------|--------------------|------------------|--------------------|------------------|----------|
| | | | | | Width | Height | |
| Enclosure with terminals | 835-410 | gray | 35/25 mm2 - 5 pole | 250 mm (9.84 in) | 250 mm (9.84 in) | 115 mm (4.53 in) | 1 |
| Enclosure - empty | 835-910 | gray | NA | 250 mm (9.84 in) | 250 mm (9.84 in) | 115 mm (4.53 in) | 1 |

Accessories

| Ordering Information | Cat. No. | Type | Std. Pk. |
|----------------------------|----------|--------------------|----------|
| Mounting Plate | 895-035 | MP350 | 1 |
| DIN Rail TS 35 – 35x216 mm | 894-035 | TS 35/216 | 1 |
| Terminal (high-set) | 840-035 | 35/25 mm2 - 5 pole | 1 |

Please refer to pages 136-140 for additional accessories and detailed information.

