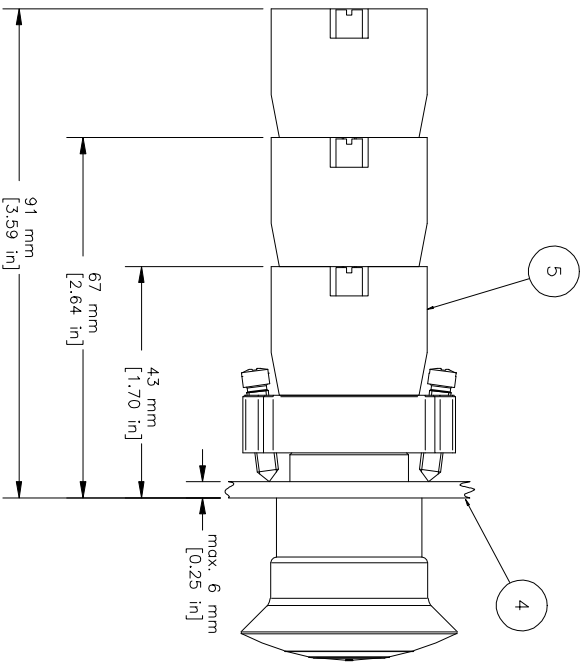
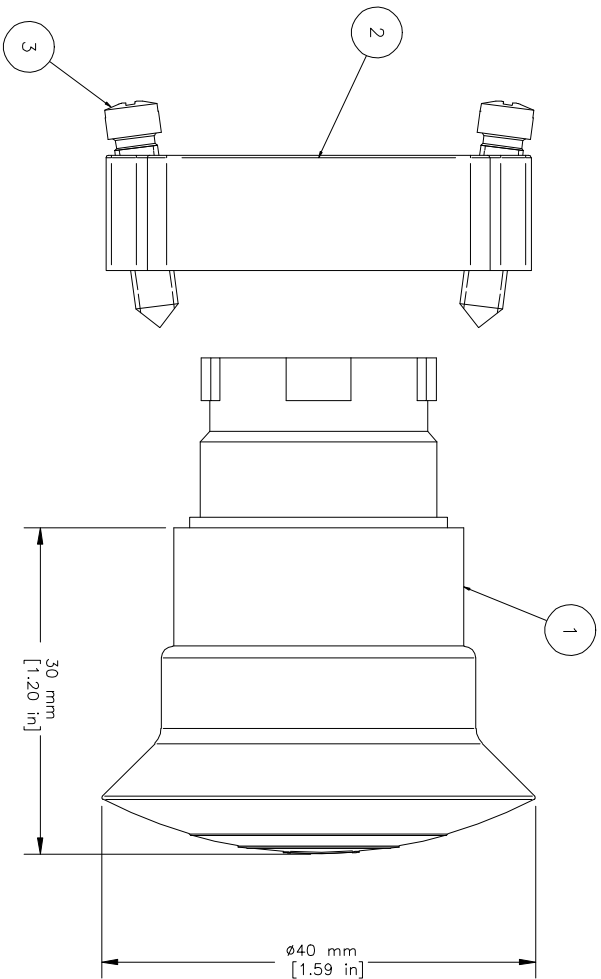
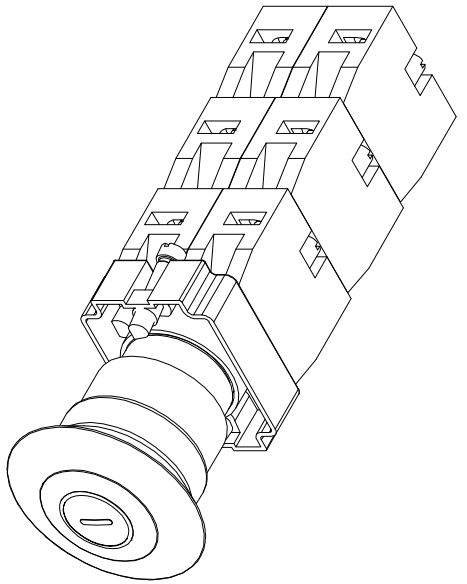


REVISIONS FOR DWG # 1PB-2AMPPx

REV	CH. NO.	DESCRIPTION	DATE	REVISED BY
-	-	ORIGINAL DESIGN	09/17/07	Phil E.



ITEM	DESCRIPTION	CAT. NO.	COLOR	MIN. QTY.	MAX. QTY.
1	Mushroom Push-Pull Operator (comes with mounting bracket 2BRK)	2AMP P1	White	1	1
		2AMP P2	Black	1	1
		2AMP P3	Green	1	1
		2AMP P4	Red	1	1
		2AMP P6	Blue	1	1
2AMP P8	Yellow	1	1		
2	Mounting Bracket	2BRK	-	1	1
3	Mounting Bracket Screws	Incl. in 2BRK	-	2	2
4	Panel	-	-	-	-
		S1	Green	1	6
S2	Red	1	6		
S3	Green/Gray	1	6		
S4	Red/Gray	1	6		
5	Switch Contacts				

TITLE: 22mm Non-Illuminated Mushroom Push-Pull Metal Operators 2AMPPx (x=color)

DRAWN BY: Philipp Ernstberger	09/17/07	DRAWING NO.: 1PB-2AMPPx	REV: -
CHECKED BY: Laszlo Gyorgypal	09/17/07		
RELEASED BY: Laszlo Gyorgypal	09/17/07	SCALE: -	SHEET: 1 OF: 1

UNLESS OTHERWISE SPECIFIED
 • ALL DIMENSIONS ARE IN MILLIMETERS
 • THIRD ANGLE PROJECTION

TOLERANCE
 XX ±1 mm
 XX.X ±0.5 mm
 XX.XX ±0.2 mm
 ALL - mm

M-H-R-C

This Drawing is the property of
Attech Corp.
 35 Royal Road
 Flemington NJ 08822-6000
 (908) 806-9400 • Fax (908) 806-9490

AND IS A CONFIDENTIAL DISCLOSURE
 LENT WITHOUT CONSIDERATION OTHER
 THAN THE BORROWER'S AGREEMENT
 THAT IT SHALL NOT BE REPRODUCED,
 COPIED, LENT, OR DISPOSED OF
 DIRECTLY OR INDIRECTLY NOR USED
 FOR ANY PURPOSE OTHER THAN THAT
 FOR WHICH IT IS SPECIFICALLY
 FURNISHED.