

**Material:**

- Body: Nickel-plated brass
- Seal: Santoprene
- O-ring: Perbunan

**Characteristics:**

- PG thread

**Technical properties:**

- EMC protection due to pressure rings and circular spring
- Gas- and watertight
- Completely twist protected

**Applications:**

- Machines and devices
- Measuring and control engineering
- Plant installations

*Locknuts sold separately, see page 24.*

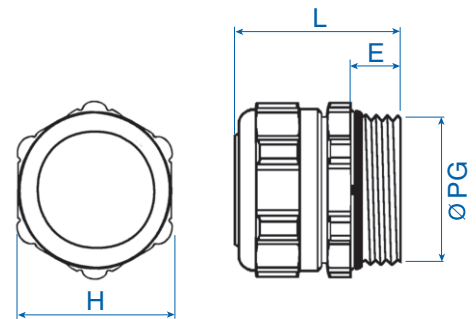


**Temperature Range MS**  
-40 to 135°C (-40 to 275°F)

Thread Size	Dimensions			ØPG mm
	H mm	E mm	L mm	
PG9	20	6	34	15.2
PG11	24	10	41	18.6
PG13.5	24	10	41	20.4
PG16	30	11	43	22.5
PG21	30	12	44	28.3
PG29	40	13	53	37.0
PG36	50	14	61	47.0
PG42	60	15	65	54.0



Outer thread	Cable Clamping range mm	Shield Clamping range mm	Cat. No.	Std. Pk.
<b>PG</b>				
PG 9	4 - 6	2.5 - 6	<b>4266003</b>	25
PG 9	6.5 - 9.5	2.2 - 6.5	<b>4266004</b>	25
PG 9	6.5 - 9.5	3.5 - 8.5	<b>4266005</b>	25
PG 11	4 - 6	3 - 6	<b>4266006</b>	25
PG 11	6 - 9	3.5 - 7.5	<b>4266007</b>	25
PG 11	7 - 10.5	4 - 8.5	<b>4266008</b>	25
PG 13.5	4 - 6	4 - 6	<b>4266010</b>	25
PG 13.5	6 - 9	3.5 - 7.5	<b>4266011</b>	25
PG 13.5	7 - 10.5	4 - 8	<b>4266013</b>	25
PG 16	6 - 9.5	6 - 9	<b>4266015</b>	25
PG 16	6 - 10.5	6 - 9	<b>4266014</b>	25
PG 16	8 - 12	6 - 9.5	<b>4266018</b>	25
PG 16	10 - 14	9 - 13	<b>4266016</b>	25
PG 16	14 - 18	9 - 13	<b>4266020</b>	25
PG 21	6 - 10.5	6 - 10	<b>4266023</b>	20
PG 21	10 - 14	9 - 13	<b>4266021</b>	20
PG 21	14 - 18	9 - 13	<b>4266024</b>	20
PG 21	14 - 18	12.5 - 17.5	<b>4266025</b>	20
PG 21	17 - 20	12.5 - 17.5	<b>4266022</b>	20
PG 29	19 - 23	15 - 21	<b>4266028</b>	20
PG 29	22 - 27	15 - 21	<b>4266029</b>	20
PG 36	25 - 29	18 - 25.5	<b>4266031</b>	10
PG 36	29 - 32	24 - 31	<b>4266033</b>	10
PG 42	37 - 41	29 - 33	<b>4266035</b>	10



**This is one of our most popular series and is usually kept in stock.**