

[Top Page](#) > [Products](#) > [Switch](#) > [Rotary Switch](#)
[> SRBV Series](#) > [SRBV170701](#)
 [Related information](#)

[Dimensions](#) [Mounting Hole Dimensions](#) [Operation Part Details \(a\)](#)
[Circuit Diagram and Dummy Terminals](#) [Packing Specifications](#) [Shaft Style](#) [Attached Parts](#)



8-positions Low-profile Vertical Type SRBV Series

Detail

Part number	SRBV170701
Poles	1
Positions	7
Changeover angle	30±3°
Changeover timing	Non shorting
Rotational torque	30±15mN·m
Actuator configuration	Flat
Actuator length	L: 15mm
Minimum order unit (pcs.)	330

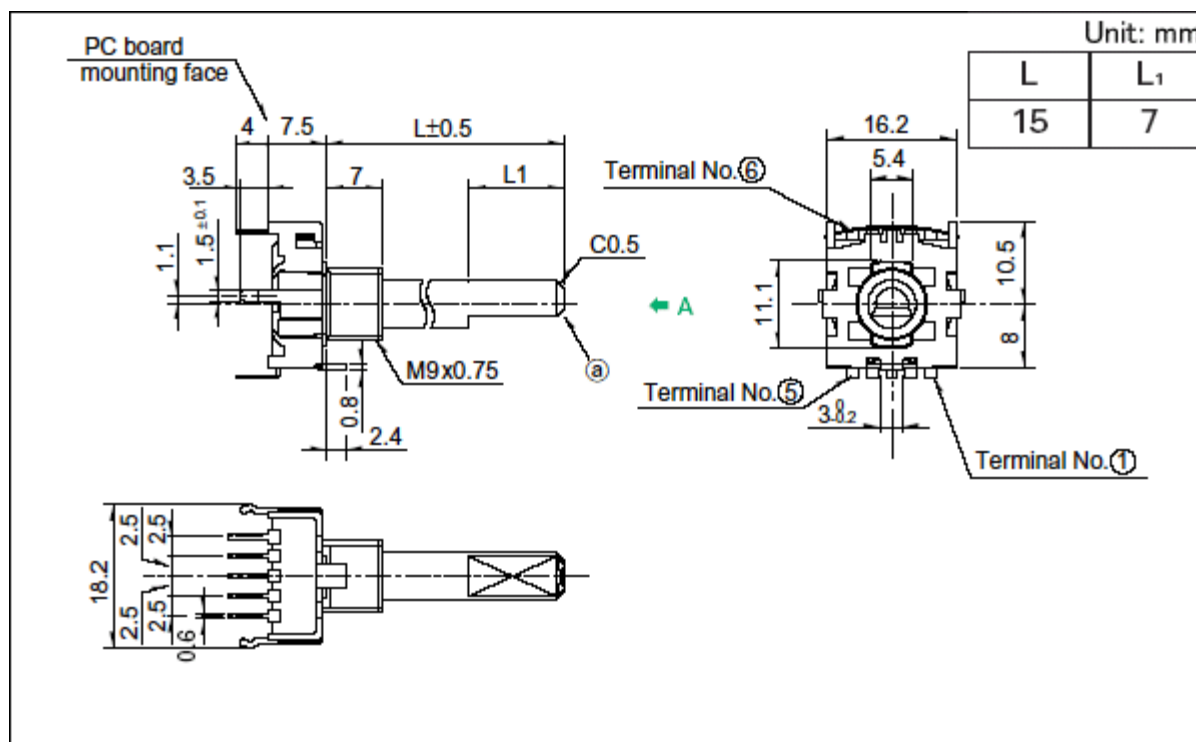
Operating temperature range		-40 to +85	
Rating (max.)/(min.) (Resistive load)		0.3A 16V DC/50µA 3V DC	
Electrical performance	Contact resistance (Initial performance/After lifetime)	50mΩ max./150mΩ max.	
	Insulation resistance	100MΩ min. 100V DC	
	Voltage proof	100V AC for 1 minute	
Mechanical performance	Terminal strength	5N for 1 minute	
	Actuator strength	Rotational direction	0.6N·m
		Push direction	100N
	Wobble of actuator (load at the tip of shaft: 1N)	Measuring position from mounting surface	10mm
		Shaft wobble (max. value)	0.2mm max.

	Applicable mounting dimension	15mm
Resistance to soldering heat	Manual soldering	350±10 , 3(+1, 0)s
	Dip soldering	260±5 , 10±1s
Durability	Operating life without load	10,000 cycles 100mΩ max.
	Operating life with load (Load: as ratings)	10,000 cycles 150mΩ max.
Environmental performance	Cold	-20±2 for 96h
	Dry heat	85±2 for 96h
	Damp heat	40±2 , 90 to 95%RH for 96h

3D CAD (STEP)	Download
Certificate of Compliance to RoHS regulations	PDF

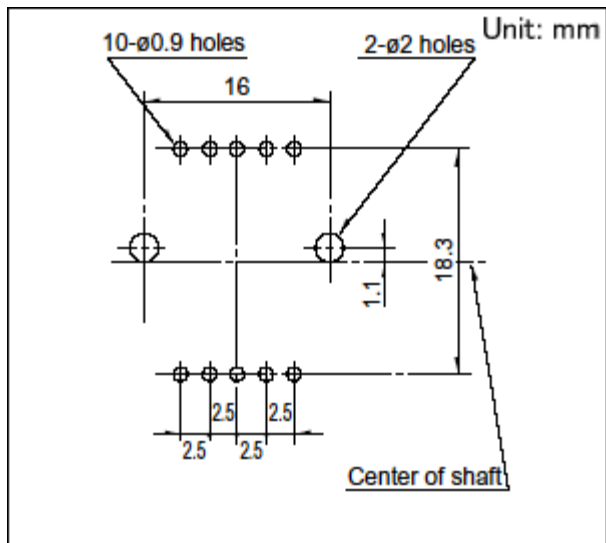
[TOP](#)

• Dimensions



[TOP](#)

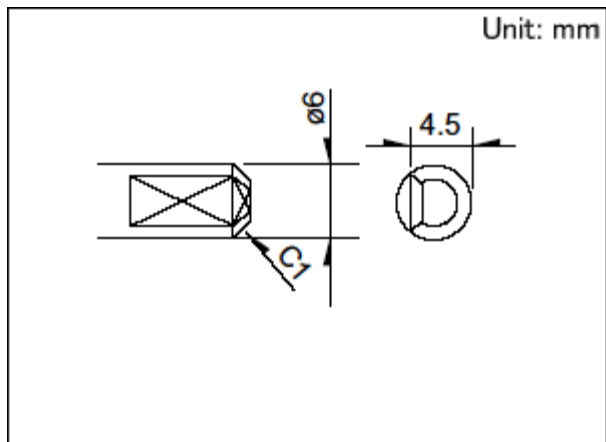
• Mounting Hole Dimensions



Viewed from direction A in the dimensions.

[TOP](#)

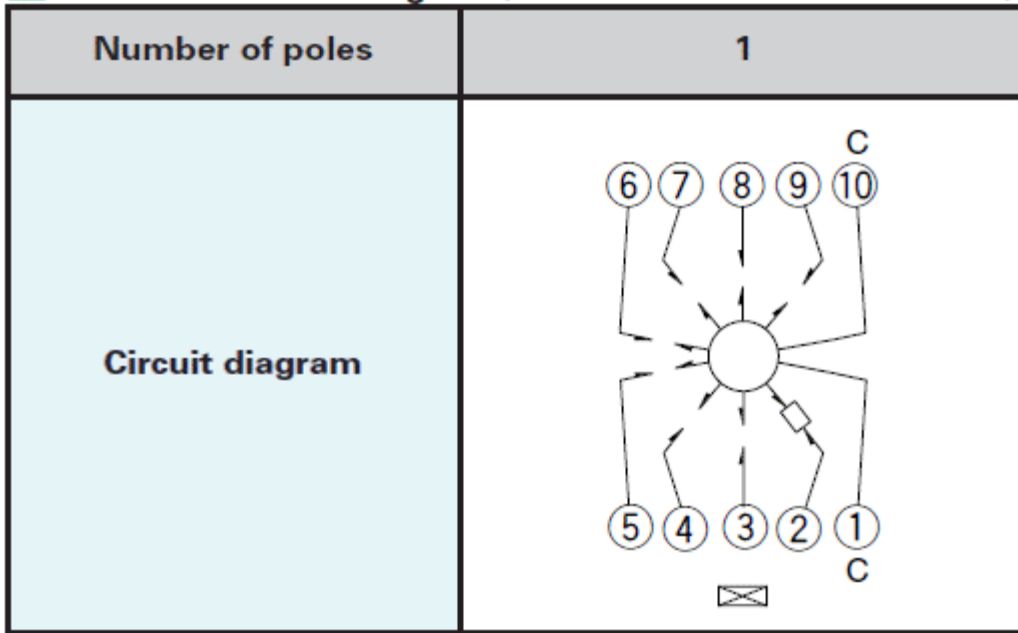
• • Operation Part Details (a)



[TOP](#)

• • Circuit Diagram and Dummy Terminals

Standard Circuit Diagram (Viewed from the Direction A)



Dummy Terminals

7-positions	⑨
-------------	---

[TOP](#)

Packing Specifications

Bulk

Number of packages (pcs.)	1 case / Japan	165
	1 case / export packing	330
Export package measurements (mm)		400×270×185

[TOP](#)

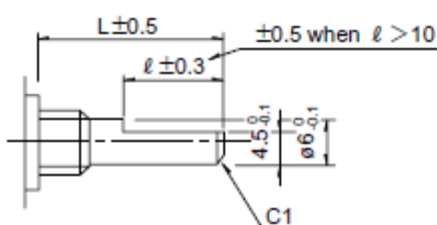
Shaft Style

* Flat Shaft

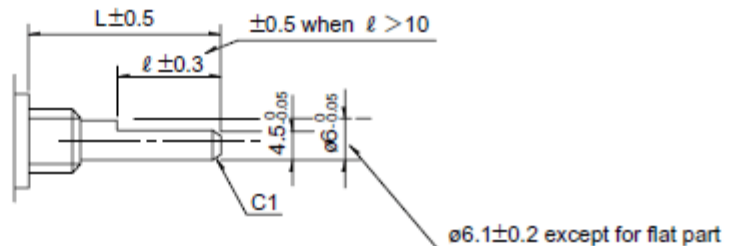
The shaft shows the position in which it is turned fully counterclockwise.

Unit : mm

Cutting Shaft

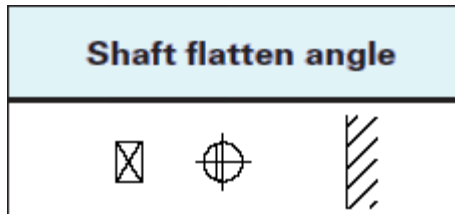




Die Casting Shaft



Unit : mm

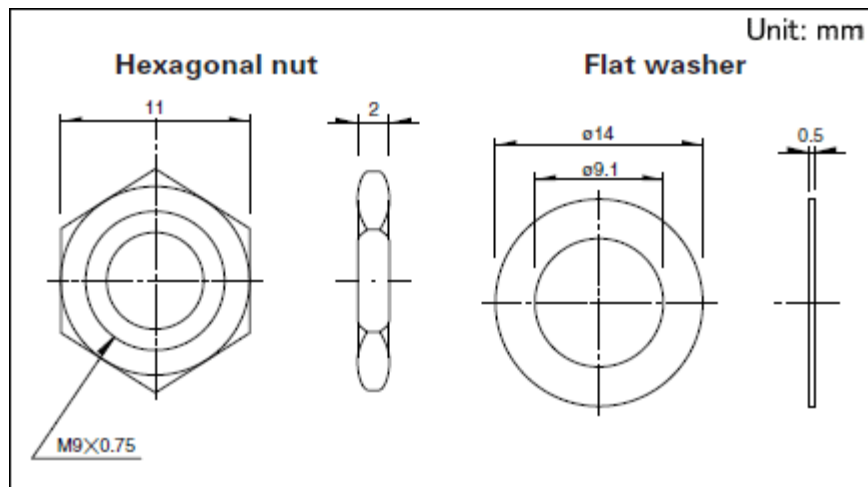
Shaft length L	ℓ
15	7
20	12



- **Notes** SRBM Series are based on  (printed terminal direction).
 SRRM, SRRN, SRBV Series are based
 on  (panel lug).

[TOP](#)

Attached Parts



The following parts are included with the product.

[TOP](#)

NOTE Notes are common to this series/models.

1. This site catalog shows only outline specifications. When using the products, please obtain formal specifications for supply.
2. Please place purchase orders per minimum order unit (integer).
3. Products other than those listed in the above chart are also available. Please contact us for details.
4. This products can be used in vehicles.

Although these products are designed to perform over a wide operating temperature range, please ensure that you receive and read the formal delivery specifications before use.

Inquiries about Products

For more information please contact: Products Information Center.

1-7, Yukigaya-otsukamachi, Ota-ku, Tokyo, 145-8501, Japan

Phone: +81 (3) 5499-8154