

? Dimensions ? Mounting Hole Dimensions ? Operation Part Details (a) ?
? Circuit Diagram and Dummy Terminals ? Packing Specifications ? Attached Parts ?
? Soldering Conditions ?

PRINT

Part number	SRBV141404			
Poles	1			
Positions	4			
Changeover angle	30±3°			
Changeover timing	Non shorting			
Rotational torque	30±15mNm			
Actuator configuration	Flat			
Actuator length	L: 15mm			
Operating temperature range	-10? to +85?			
Rating (max.)/(min.) (Resistive load)	0.3A 16V DC/50μA 3V DC			
Electrical performance	Contact resistance (Initial performance/After lifetime)	50m? max./150m? max.		
	Insulation resistance	100M? min. 100V DC		
	Voltage proof	100V AC for 1 minute		
Mechanical performance	Terminal strength	5N for 1 minute		
	Actuator strength	Rotational direction	0.6Nm	
		Push direction	100N	
	Wobble of actuator (load at the tip of shaft: 1N)	Measuring position from mounting surface	10mm	
		Shaft wobble (max. value)	0.2mm max.	
Applicable mounting dimension	15mm			
Durability	Operating life without load	10,000 cycles 100m? max.		
	Operating life with load (at max. rated load)	10,000 cycles 150m? max.		
Environmental performance	Cold	-20±2? for 96h		
	Dry heat	85±2? for 96h		
	Damp heat	40±2? , 90 to 95%RH for 96h		
Minimum order unit (pcs.)	Japan	165		
	Export	330		

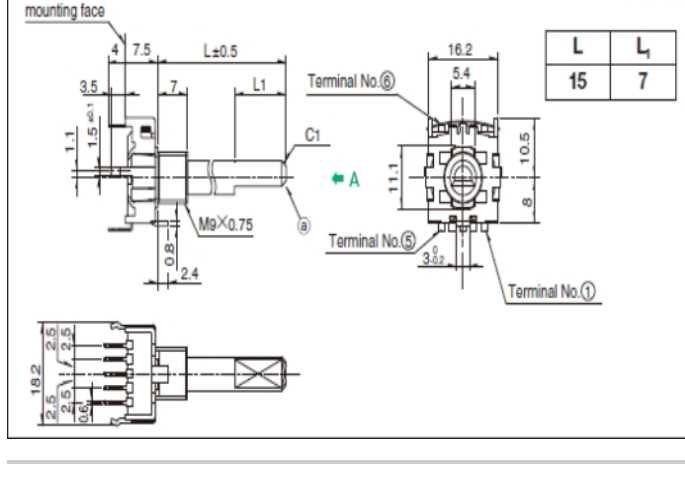
3D CAD (STEP)



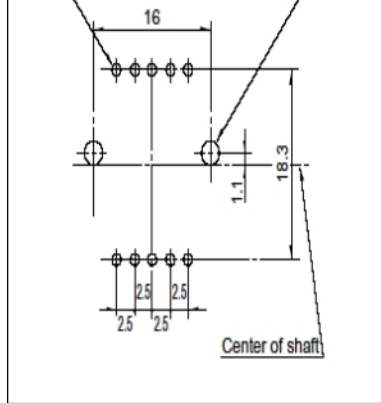
Certificate of Compliance to RoHS regulations



Dimensions

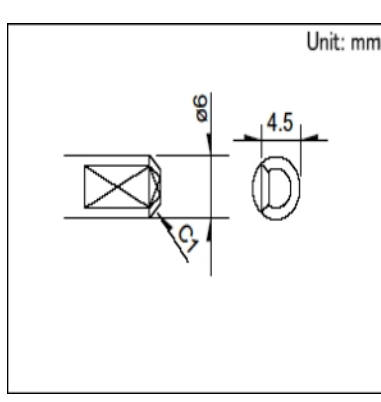


Mounting Hole Dimensions



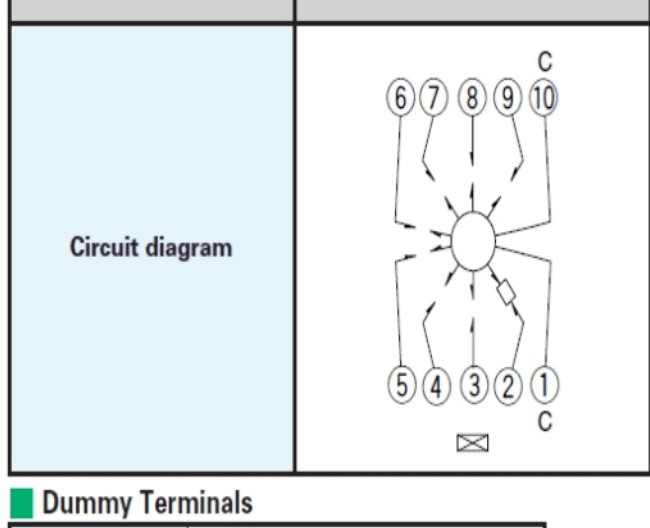
Viewed from direction A in the dimensions.

Operation Part Details (a)



Circuit Diagram and Dummy Terminals

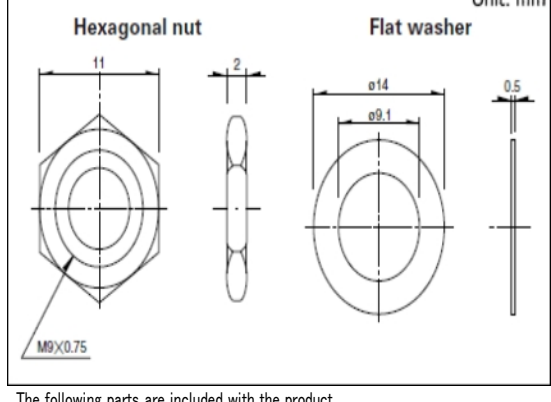
Standard Circuit Diagram (Viewed from the Direction A)



Packing Specifications

Bulk		
Number of packages (pcs.)	1 case / Japan	165
	1 case / export packing	330
Export package measurements (mm)	400×270×185	

Attached Parts



The following parts are included with the product.

Soldering Conditions

Reference for Dip Soldering

Items	Preheating temperature	-
	Preheating time	-
Dip soldering	Soldering temperature	260±5?
	Duration of immersion	10±1s

Reference for Hand Soldering

Soldering temperature	350±10?
Soldering time	3+1/0s

Notes are common to this series/models.

- This site catalog shows only outline specifications. When using the products, please obtain formal specifications for supply.
- Please place purchase orders per minimum order unit (integer).
- Products other than those listed in the above chart are also available. Please contact us for details.
- This products can be used in vehicles.
Although these products are designed to perform over a wide operating temperature range, please ensure that you receive and read the formal delivery specifications before use.

Inquiries about Products

Inquiry

For more information please contact: Sales or Products Information Center.

1-7, Yukigaya-otsukamachi, Ota-ku, Tokyo, Japan 145-8501
PHONE : +81 (3) 5499-8154