

5

4

3

2

1

受控 CONTROLLED DOCUMENT

编号 P/N	CP1094AST-CUST	版本 Rev	01	日期 Rel'd Date	Apr29,09
-----------	----------------	-----------	----	------------------	----------

DRAWING NO.
CP1094AST - CUST

REVISIONS

01 OFFICIAL RELEASE

03-20-09

T W B Y T

Thomas Chow



Description: Front Mount Bulkhead Jack receptacle with Solder TAB

Part No: CP1094AST

Application: PCB

Crimp Tool: N/A

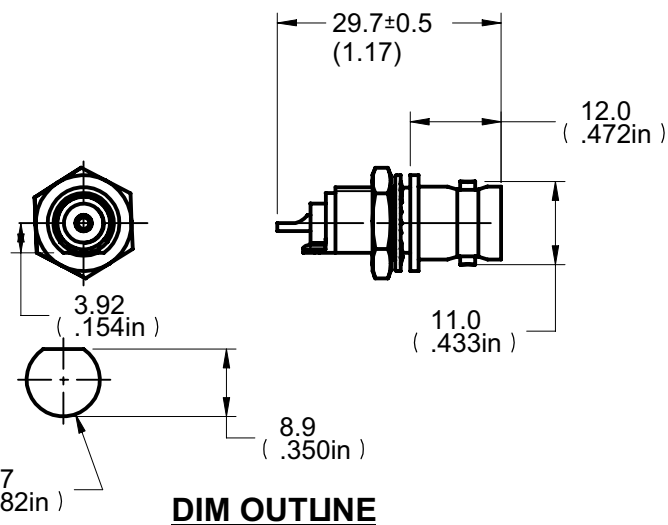
Impedance: 50 Ohms

Frequency Range: 0-4 GHz

Material: Body Brass Nickel plated
Contact Brass Gold plated
Insulator Teflon
Nut Brass Nickel plated

RoHS Compliance: Yes

Technical Detail: Refer to Emerson Document P/N 27-0000



CUSTOMER COPY

TOLERANCE UNLESS OTHERWISE SPECIFIED		DRAWN BY TERRY.W	DATE 03-20-09
DECIMALS	mm	CHECKED BY BETTY.YU	DATE 03-20-09
X	± 0.5	APPROVED BY THOMAS	DATE 03-20-09
X.X	± 0.3	U/M	mm
X.XX	± 0.1		
ANGLES	± 0.5°		

EMERSON
Network Power

Connectivity Solutions

TITLE
FRONT MOUNT BULKHEAD JACK RECEPTACLE WITH SOLDER TAB

THIS DRAWING WAS PRODUCED BY COMPUTER, DO NOT SCALE DRAWING OR UPDATE MANUALLY.			SHEET 1 OF 1	DRAWING NO. CP1094AST -CUST	SIZE A
---	--	--	-----------------	--------------------------------	-----------

5

4

3

2

1