

NOTES:

1. MATERIALS AND FINISHES:

- BODY & CONTACT - BeCu, GOLD PLATING
- BODY-REAR & CAP - BRASS, GOLD PLATING
- RETAINING RING - BeCu, NICKEL PLATING
- FERRULE - COPPER, NICKEL PLATING
- INSULATOR - PTFE, NATURAL
- INSULATOR DISC - PEEK, NATURAL

2. ELECTRICAL:

- A. IMPEDANCE: 50 OHM
- B. FREQUENCY RANGE: DC - 26.5 GHz.
- C. VSWR (RETURN LOSS): 1.22 MAX. (-20 dB MIN.) @ DC - 3 GHz  
1.43 MAX. (-15 dB MIN.) @ 3 - 12.4 GHz
- D. DIELECTRIC WITHSTANDING VOLTAGE: 500 VRMS, MIN.

3. MECHANICAL:

- A. DURABILITY: 100 CYCLES MIN. WHEN MATED FULL DETENT JACK  
500 CYCLES MIN. WHEN MATED LIMITED DETENT JACK  
1000 CYCLES MIN. WHEN MATED A SMOOTH BORE JACK
- B. TEMPERATURE RANGE: -65°C TO 165°C
- C. MATING FORCES (PER DSCC #94007):  
ENGAGEMENT: DISENGAGEMENT:  
FULL DETENT: 15 LBS (67 N) MAX. FULL DETENT: 5 LBS (22 N) MIN.  
LIMITED DETENT: 10 LBS (45 N) MAX. LIMITED DETENT: 2 LBS (9 N) MIN.  
SMOOTH BORE: 2 LBS (9 N) MAX. SMOOTH BORE: 0.5 LBS (2.2 N) MIN.

4. PACKAGING:

- A. QUANTITY: SINGLE PACK
- B. MARKING: BAG TO BE MARKED  
"AMPHENOL RF, SMP-FR-C19 AND DATE CODE"

5. CABLE ASSEMBLY INSTRUCTIONS:

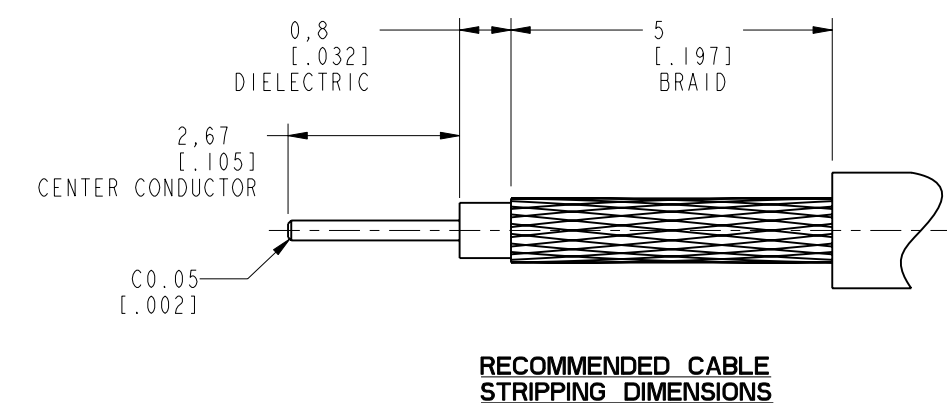
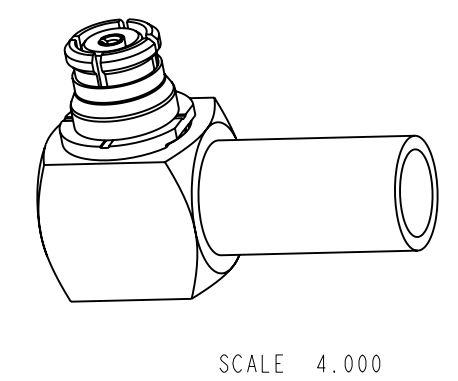
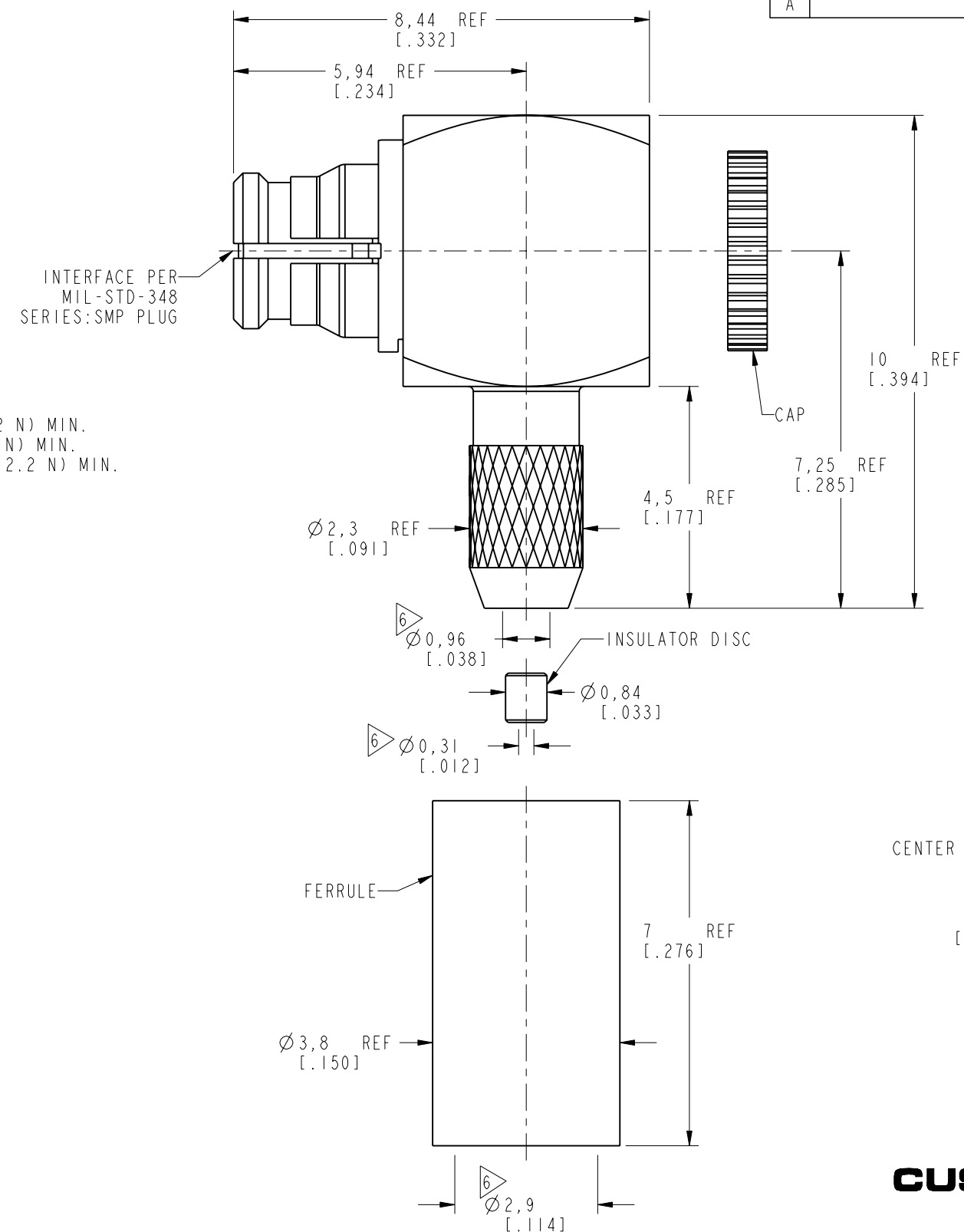
- A. TRIM CABLE AS SHOWN.
- B. SLIDE FERRULE AND INSULATOR DISC ONTO CABLE.
- C. SOLDER CABLE CENTER CONDUCTOR TO CONTACT.
- D. CRIMP FERRULE OVER THE BRAID WITH .128" HEX.
- E. PRESS CAP FLUSH.

6 SHOWS CABLE ENTRY DIMENSIONS.

THIRD ANGLE PROJ.

REVISIONS

REV	DESCRIPTION	DATE	ECO	APPR
A	RELEASE TO MFG.	12-Nov-18	09542	EH



**CUSTOMER OUTLINE DRAWING**  
ALL OTHER SHEETS ARE FOR INTERNAL USE ONLY

UNLESS OTHERWISE SPECIFIED, DIMENSIONS ARE IN METRIC AND TOLERANCES ARE: <0.5mm ±0.05mm    0.5 - 6mm ±0.1mm    6 - 30mm ±0.2mm    30 - 120mm ±0.3mm    ANGLES ±1°	MATERIAL SEE NOTES	DRAWN M. ZHANG	DATE 12-Nov-18	TITLE SMP RA PLUG WITH ROCK RING FOR RG 178 CABLE	Amphenol RF www.amphenolrf.com
		ENGINEER VIJI K	DATE 04-Dec-17		
NOTICE - These drawings, specifications, or other data (1) are, and remain the property of Amphenol corp. (2) must be returned upon request; and (3) are confidential and not to be disclosed to any person other than those to whom they are given by Amphenol Corp. the furnishing of these drawings, specifications, or other data by Amphenol Corp., or to any other person to anyone for any purpose is not to be regarded by implication or otherwise in any manner licensing, granting rights to permitting such holder or any other person to manufacture, use or sell any product, process or design, patented or otherwise, that may in any way be related to or disclosed by said drawings, specifications, or other data.	REFERENCE EAR# 8025 AND SMP-FR-C08-1 CONFIGURATION LEVEL: In Work	APPROVED S. HSIEH	DATE 13-Nov-18	SCALE: 8.5:1.0	SHEET 2 OF 2
		FINISH	CAD FILE	DWG SIZE B	REV A