

NOTES:

1. MATERIALS AND FINISHES:  
 BODY - BRASS, GOLD PLATING  
 CONTACT - BeCu, GOLD PLATING  
 INSULATOR - PTFE, NATURAL

2. ELECTRICAL:  
 A. IMPEDANCE: 50 OHM  
 B. FREQUENCY RANGE: DC - 26.5 GHz  
 C. VSWR(RETURN LOSS): 1.11 MAX. (-26 dB MIN.) @ DC-6 GHz  
 1.22 MAX. (-20 dB MIN.) @ 6-18 GHz  
 1.33 MAX. (-17 dB MIN.) @ 18-26.5 GHz  
 CONNECTOR ONLY, PERFORMANCE WILL VARY  
 BASED ON BOARD LAYOUT  
 D. DIELECTRIC WITHSTANDING VOLTAGE: 500 VRMS, MIN.

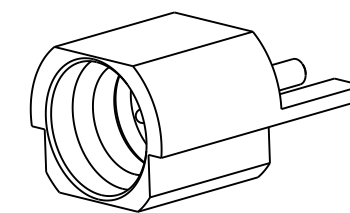
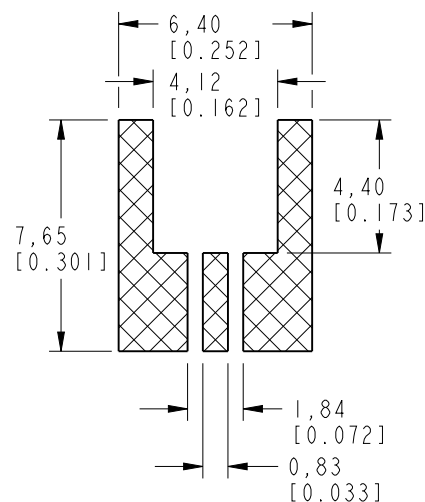
3. MECHANICAL:  
 A. DURABILITY: 500 CYCLES MIN.  
 B. TEMPERATURE RANGE: -65°C TO +165°C  
 C. ENGAGEMENT FORCE: 10 LBS (45 N) MAX.  
 D. DISENGAGEMENT FORCE: 2 LBS (9 N) MIN.

4. PACKAGING:  
 A. QUANTITY: SEE TABLE  
 B. MARKING: REEL OR TRAY TO BE MARKED  
 "AMPHENOL RF, PART NUMBER AND DATE CODE"

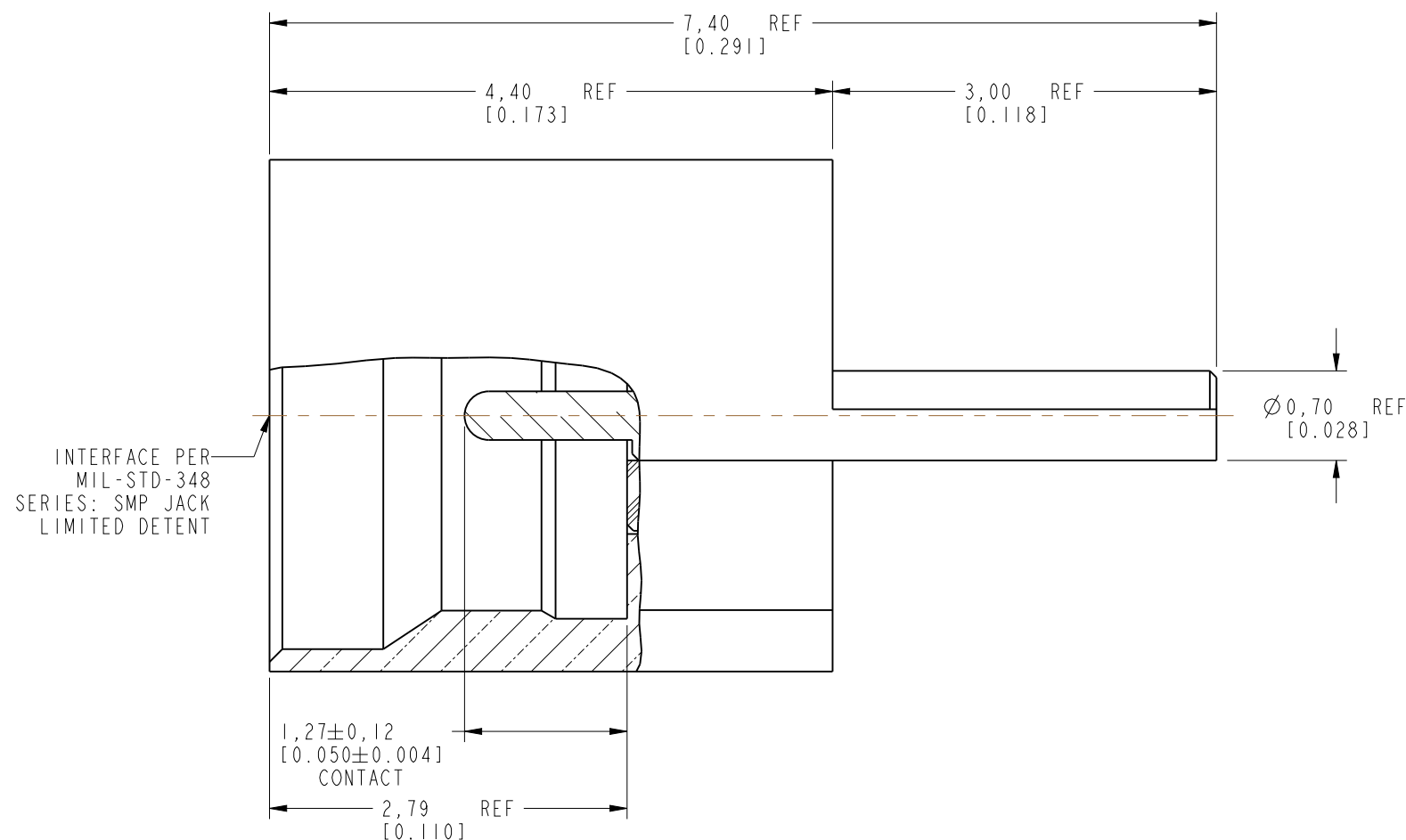
PART NUMBER	PACKAGING METHOD	QUANTITY
SMP-MSLD-PCE-5	TRAY	50
SMP-MSLD-PCE-5T	TAPE AND REEL	1000

THIRD ANGLE PROJ.

REVISIONS				
REV	DESCRIPTION	DATE	ECN	APPR
A	RELEASE TO MFG.	24-Oct-18	09483	EH

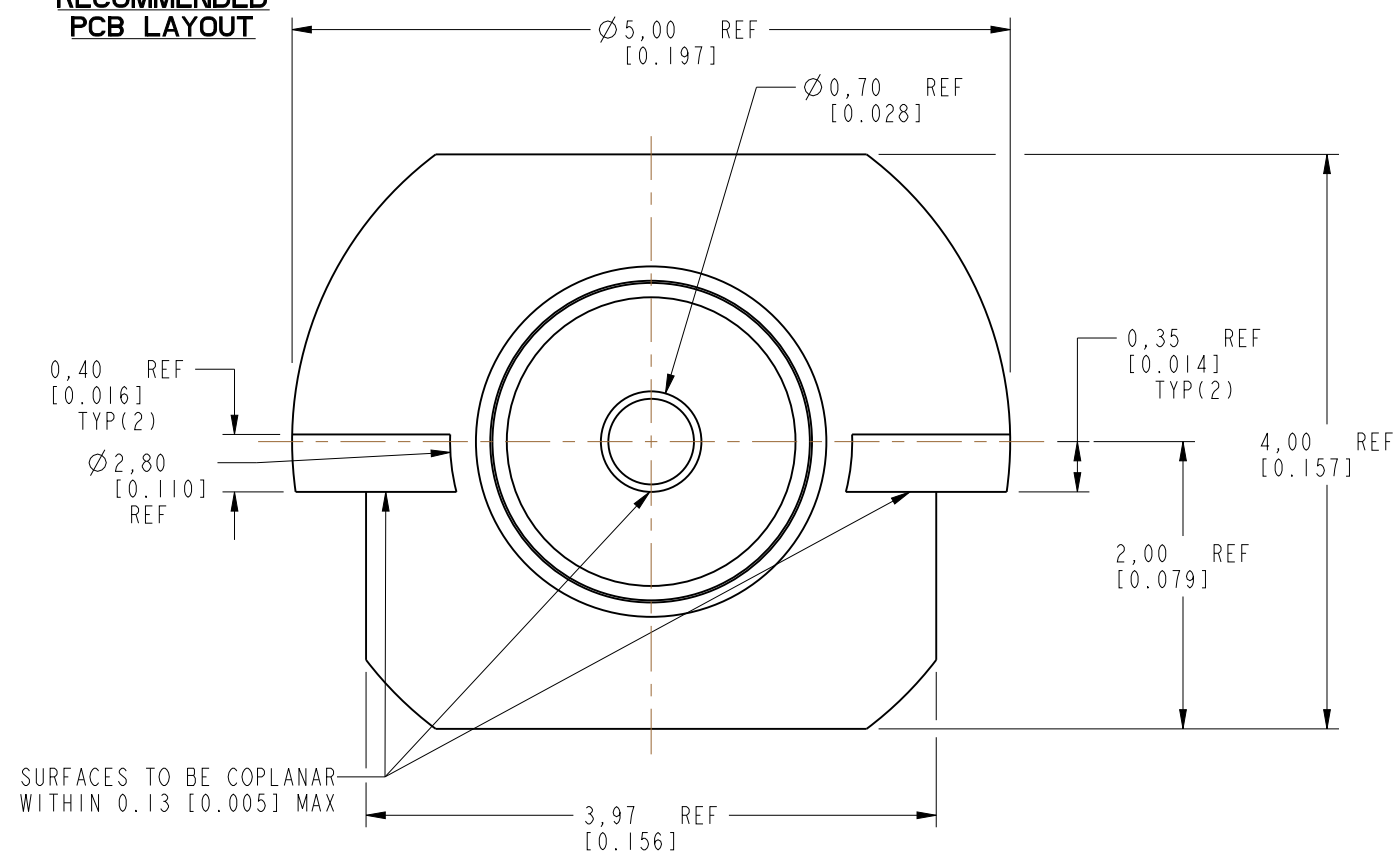


SCALE 5.000



INTERFACE PER  
 MIL-STD-348  
 SERIES: SMP JACK  
 LIMITED DETENT

RECOMMENDED  
 PCB LAYOUT



SURFACES TO BE COPLANAR  
 WITHIN 0.13 [0.005] MAX

**CUSTOMER OUTLINE DRAWING**

ALL OTHER SHEETS ARE FOR INTERNAL USE ONLY

UNLESS OTHERWISE SPECIFIED, DIMENSIONS ARE IN METRIC AND TOLERANCES ARE: <0.5mm ±0.05mm    0.5 - 6mm ±0.1mm    6 - 30mm ±0.2mm    30 - 120mm ±0.3mm    ANGLES ±1°	MATERIAL	DRAWN	DATE	TITLE	Amphenol RF www.amphenolrf.com
	SEE NOTES	ANANDH G	07-Dec-17	SMP STR JACK LIMITED DETENT EDGE MOUNT	
NOTICE - These drawings, specifications, or other data (1) are, and remain the property of Amphenol corp. (2) must be returned upon request; and (3) are confidential and not to be disclosed to any person other than those to whom they are given by Amphenol Corp. the furnishing of these drawings, specifications, or other data by Amphenol Corp., or to any other person to anyone for any purpose is not to be regarded by implication or otherwise in any manner licensing, granting rights to permitting such holder or any other person to manufacture, use or sell any product, process or design, patented or otherwise, that may in any way be related to or disclosed by said drawings, specifications, or other data.	REFERENCE	ENGINEER	DATE	SCALE: 19.0:1.0	DRAWING NO. SMP-MSLD-PCE-5X
	EAR# 8024	ANANDH G	07-Dec-17	SHEET 2 OF 2	ITEM NO. SMP-MSLD-PCE-5X
	REF: SMP-MSLD-PCE	APPROVED	DATE	DWG SIZE B	REV A
CONFIGURATION LEVEL: In Work	CAD FILE				
FINISH					