

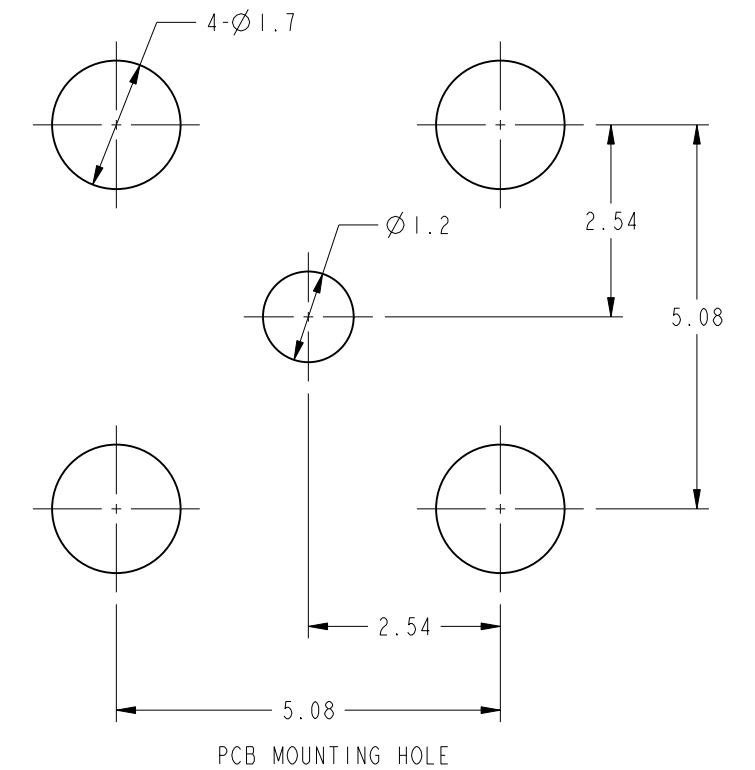
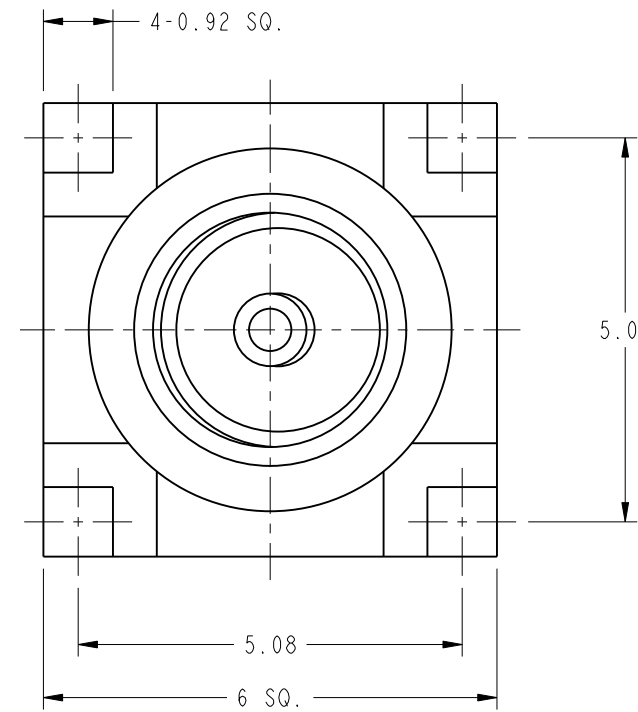
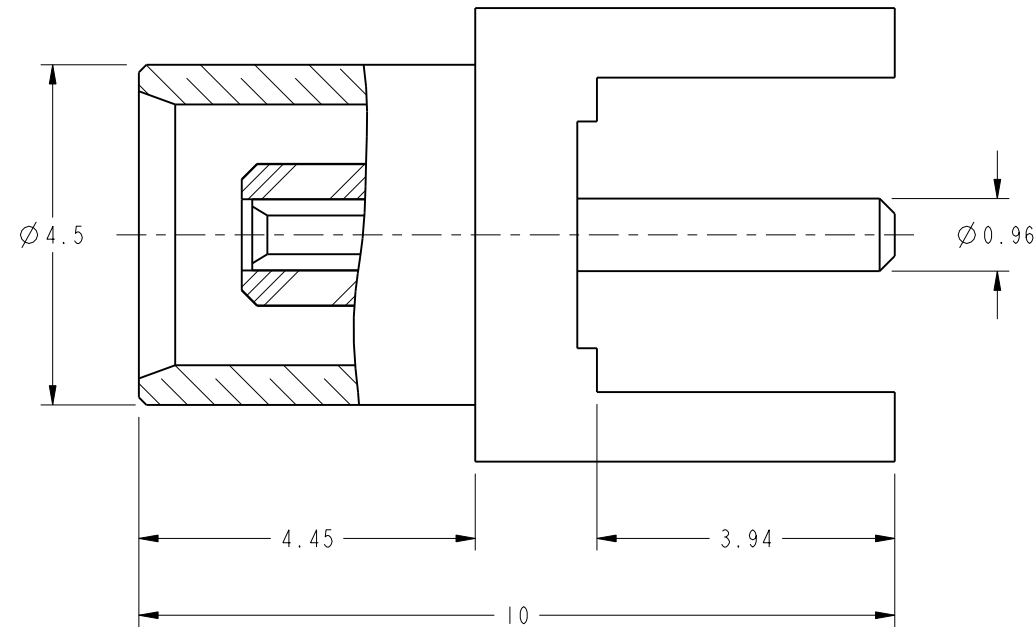
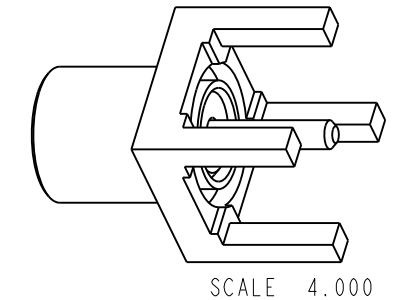
NOTES:

1. MATERIALS AND FINISHES:  
 BODY : BRASS, GOLD PLATING  
 CONTACT : BERYLLIUM COPPER, GOLD PLATING  
 INSULATOR : PTFE, NATURAL
2. ELECTRICAL:  
 A. IMPEDANCE: 50 OHM  
 B. DIELECTRIC WITHSTANDING VOLTAGE: 1000 VRMS, MIN.
3. MECHANICAL:  
 A. DURABILITY: 500 CYCLES MIN.  
 B. TEMPERATURE RANGE: - 65°C to +155°C

THIRD ANGLE PROJ.

REVISIONS

REV	DESCRIPTION	DATE	ECO	APPR
A	RELEASE TO MFG.			
B	SEE SHEET 1	09-02-99'		JOHNSON
BI	SEE SHEET 1	02-14-06'		SH
C	SEE SHEET 1	14-Jul-10	48054	SH
D	UPDATED TEMPERATURE RANGE	10/19/10	48282	MJN



**CUSTOMER OUTLINE DRAWING**  
 ALL OTHER SHEETS ARE FOR INTERNAL USE ONLY

UNLESS OTHERWISE SPECIFIED, DIMENSIONS ARE IN METRIC AND TOLERANCES ARE:  
 <0.5mm ±0.05mm    0.5 - 6mm ±0.1mm    6 - 30mm ±0.2mm    30 - 120mm ±0.3mm    ANGLES ±1°

NOTICE - These drawings, specifications, or other data (1) are, and remain the property of Amphenol corp. (2) must be returned upon request; and (3) are confidential and not to be disclosed to any person other than those to whom they are given by Amphenol Corp. the furnishing of these drawings, specifications, or other data by Amphenol Corp., or to any other person to anyone for any purpose is not to be regarded by implication or otherwise in any manner licensing, granting rights to permitting such holder or any other person to manufacture, use or sell any product, process or design, patented or otherwise, that may in any way be related to or disclosed by said drawings, specifications, or other data.

MATERIAL	DRAWN J.QIN	DATE 14-Feb-06	TITLE MCX P.C. BOARD RECEPT. JACK	Amphenol RF Danbury CT USA, Tainan, Taiwan, Shenzhen, China www.amphenolrf.com	
REFERENCE AND CONFIGURATION LEVEL:	ENGINEER S.HSIEH	DATE 14-Feb-06		DRAWING NO. MCX6251BI-3GT30G-50	
FINISH	APPROVED S.HSIEH	DATE 14-Feb-06	SCALE: 10.0:1.0	SHEET 2 OF 2	ITEM NO. 086251AAB02GE5F
	CAD FILE Root Folder/MCX/MCX6251BI-3GT30G-50		DWG SIZE B	REV D	PART NO. 919-109J-51PX