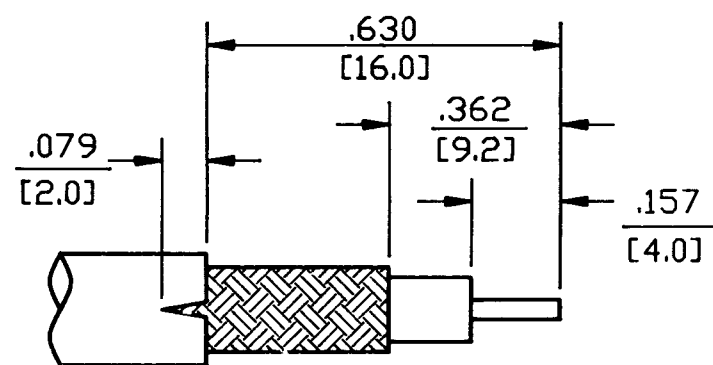
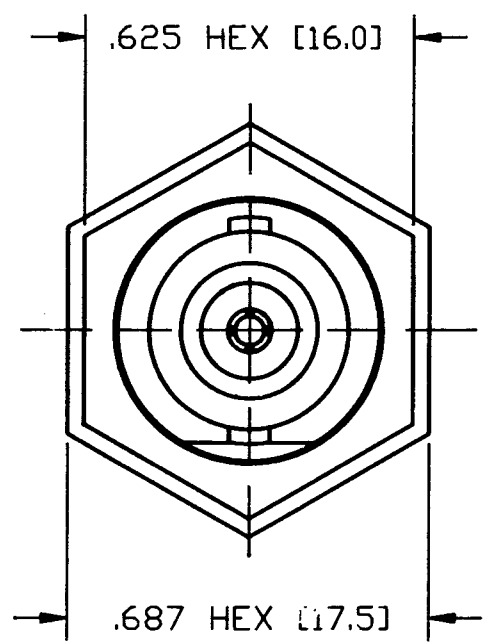
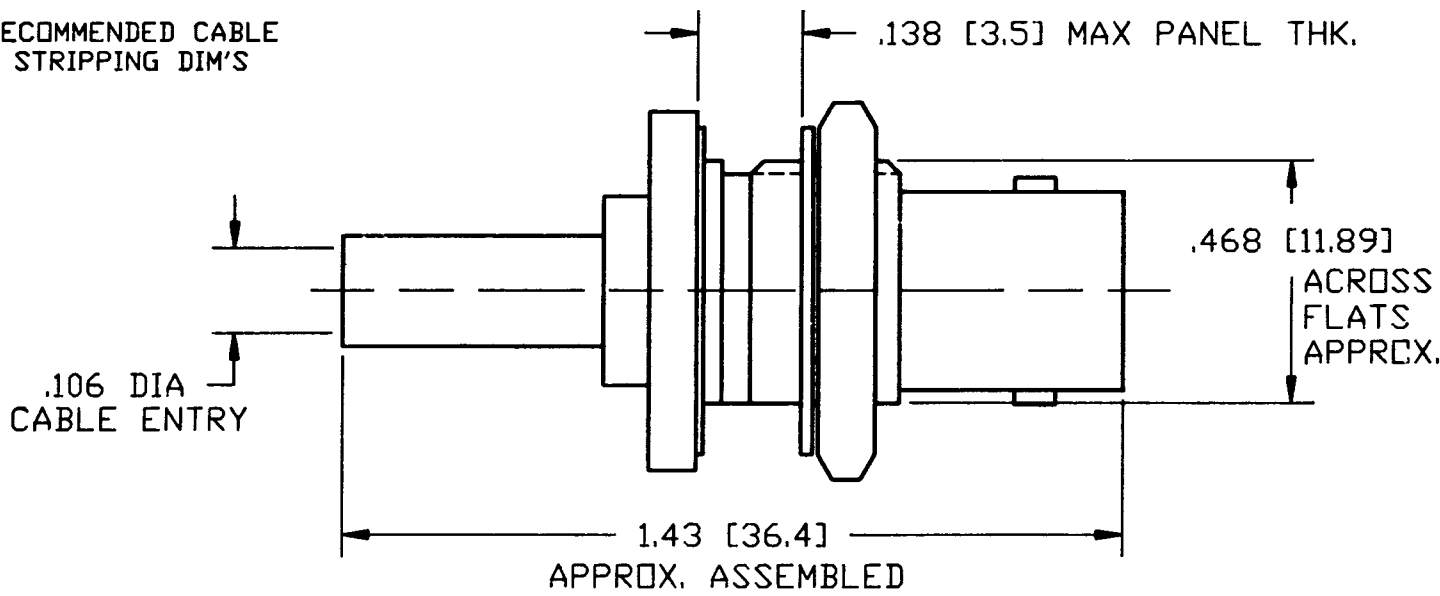
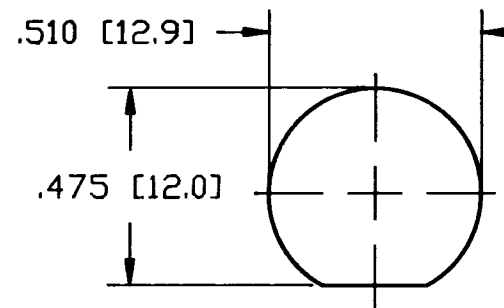


DO NOT SCALE THIS DRAWING

31-318-RFX		REVISIONS			
DRAWING NUMBER	SYM	DESCRIPTION	DATE	E.C.O. NO.	APPR.
	A	OFFICIAL ENG. RELEASE TO MFG.	10/2/91	38063	DR



RECOMMENDED CABLE STRIPPING DIM'S



NOTES:

1. BRASS BODY, NICKEL PLATED.
2. DELRIN INSULATOR.
3. GOLD PLATED, PHOSPHOR BRONZE CONTACT, .000003.
4. PACKAGED IN BAG 999-364.
5. USE AMPHENOL CRIMP TOOL #CTL-2.
6. NON-CAPTIVATED CONTACT, .023 WIRE ENTRY.
7. 3 PC. (BODY, FERRULE, CONTACT).

ENGLISH [METRIC]

H:\DEPT611\BNC\031\ASSY\318RFX

PART NO.	QUAN	UOM	ITEM LINE NO	DESCRIPTION	CODE	FINISH
LIST OF MATERIAL						

REMOVE ALL BURRS, BREAK CORNERS AND SHARP EDGES .005 MAXIMUM UNLESS OTHERWISE SPECIFIED.

NOTICE - These drawings, specifications, or other data (1) are, and remain the property of Amphenol Corp. (2) must be returned upon request; and (3) are confidential and are not to be disclosed to any person other than those to whom they are given by Amphenol Corp. The furnishing of these drawings, specifications, or other data by Amphenol Corp., or by any other person to anyone for any purpose is not to be regarded by implication or otherwise as in any manner licensing, granting rights or permitting such holder or any other person to manufacture, use or sell any product, process or design, patented or otherwise, that may in any way be related to or disclosed by said drawings, specifications or other data.

NEXT ASSY	USED ON
MATERIAL	
SPECIFICATION	
FINISH	

UNLESS OTHERWISE SPECIFIED DIMENSIONS ARE IN INCHES. TOLERANCES NOT OTHERWISE SPECIFIED ARE:		
2 PLACE DECIMAL ±.015 (0.381 mm)	3 PLACE DECIMAL ±.005 (0.127 mm)	ANGLES ± 1°
REFERENCE DRAWING NO EAR 962370		

DRAWN BY TERRI ALBERA	DATE 4-22-91
CHECKED <i>[Signature]</i>	DATE 9-13-91
ENGINEER <i>[Signature]</i>	DATE 9-13-91
QUALITY ASSURANCE <i>[Signature]</i>	DATE 9/19/91
MFG/ENG H. FREEDLAND	DATE 9/19/91

TITLE  
BNC CRIMP CRIMP JACK FOR RG-174, 188 & 316 CABLE, 50 OHM

**Amphenol Corporation**  
RF/Microwave Operations  
Danbury, Conn. U.S.A.

SCALE NTS    SHEET    OF

CODE IDENTIFICATION    DRAWING SIZE    DRAWING NO.    ISSUE

74868    B    31-318-RFX    A