

between series adapters*

BULKHEAD AND PANEL MOUNT ADAPTERS

Fig. 1

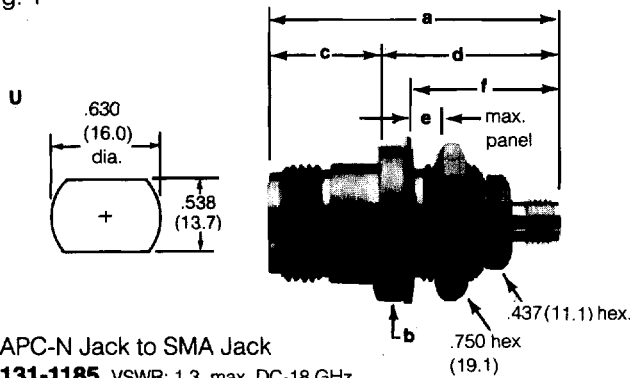


Fig. 2

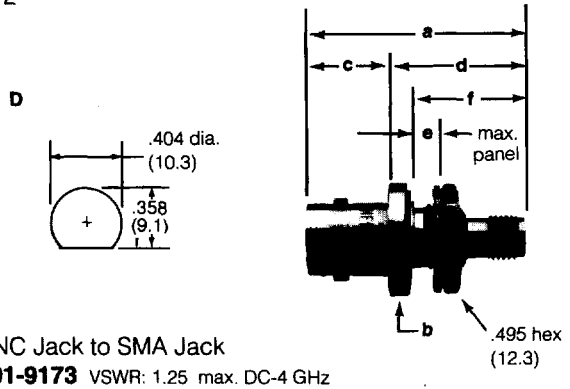


Fig. 3

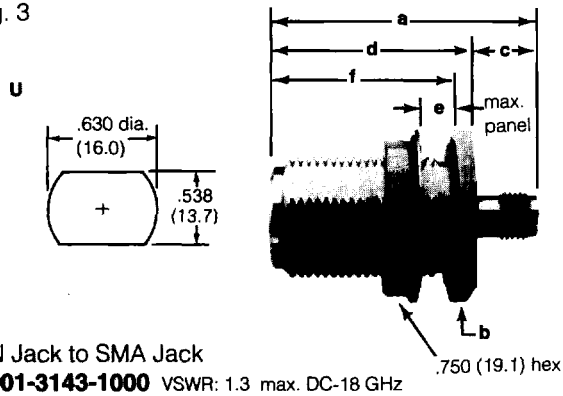


Fig. 4

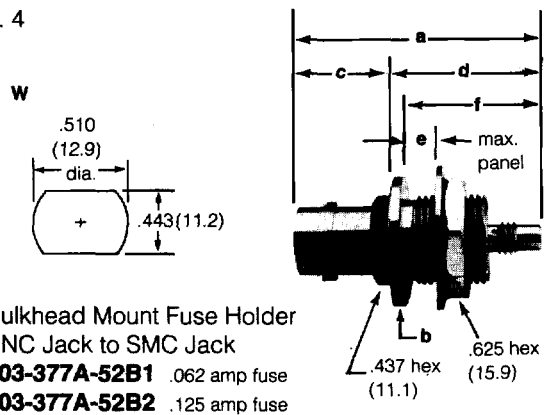


Fig. 5

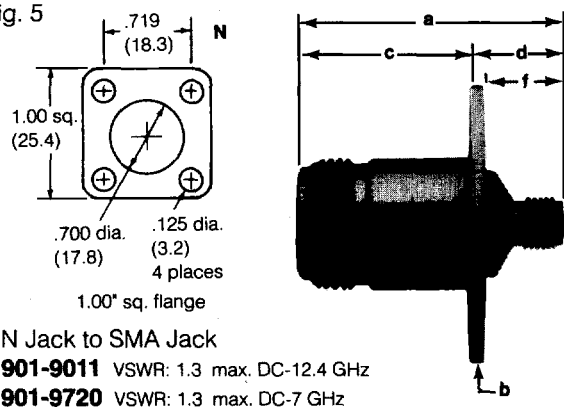


Fig. 6

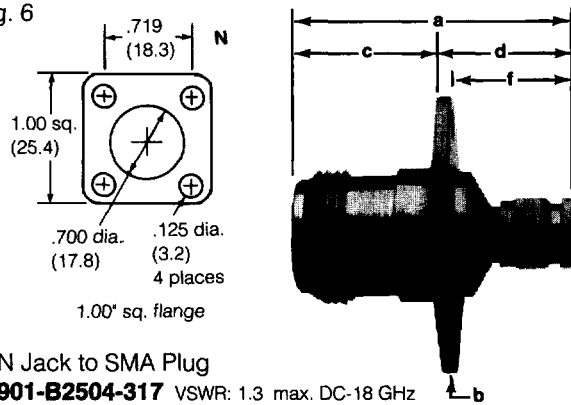


Fig. 7

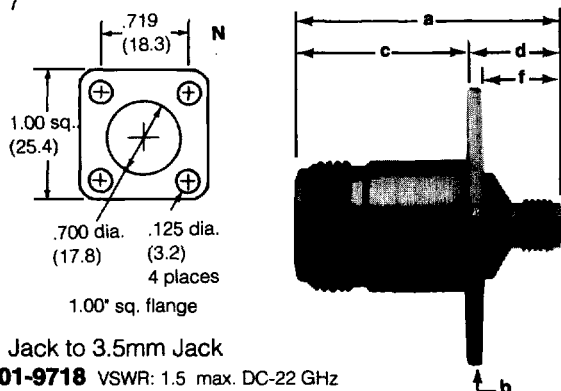
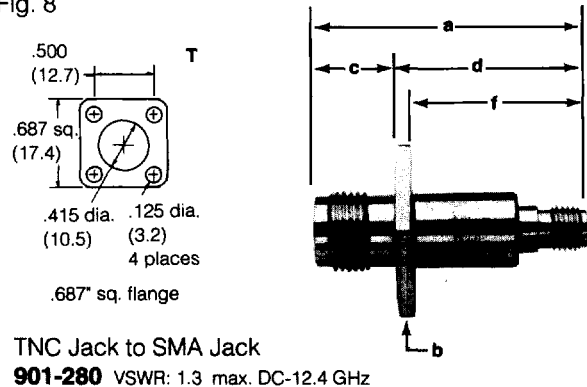


Fig. 8



* for complete list of Between Series Adapters, please contact the factory

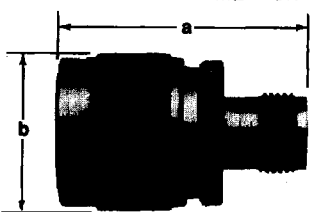
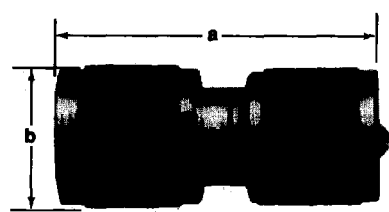
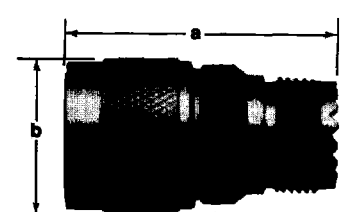
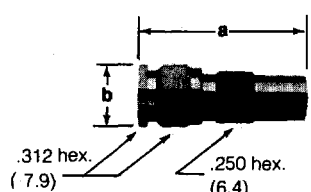
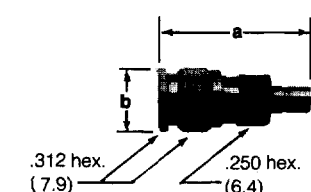
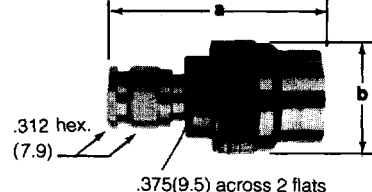
between series adapters continued*

STRAIGHT ADAPTERS - PLUG TO PLUG OR JACK

<p>Fig. 1</p> <p>APC-N Plug to SMA Plug 131-1074 VSWR: 1.10 max. DC-18 GHz</p>	<p>Fig. 2</p> <p>APC-N Plug to SMA Jack 131-1075 VSWR: 1.10 max. DC-18 GHz</p>	<p>Fig. 3</p> <p>BNC Plug to C Jack 83175 (UG-635/U) VSWR: 1.35 max. DC-4 GHz</p>
<p>Fig. 4</p> <p>BNC Plug to MB Jack 47275</p>	<p>Fig. 5</p> <p>BNC Plug to N Plug 5225 (UG-1034/U) VSWR: 1.35 max. DC-4 GHz</p>	<p>Fig. 6</p> <p>BNC Plug to N Jack 31-217 (UG-349A/U) 31-217-RFX VSWR: 1.35 max. DC-4 GHz</p>
<p>Fig. 7</p> <p>BNC Plug to SMA Plug 901-164 VSWR: 1.3 max. DC-4 GHz</p>	<p>Fig. 8</p> <p>BNC Plug to SMA Jack 901-165 VSWR: 1.3 max. DC-4 GHz</p>	<p>Fig. 9</p> <p>BNC Plug to TNC Jack 79025 VSWR: 1.25 max. DC-4 GHz</p>
<p>Fig. 10</p> <p>BNC Plug to UHF Jack 2900 (UG-255/U) 2900-RFX</p>	<p>Fig. 11</p> <p>C Plug to N Jack 82-540 (UG-565A/U) VSWR: 1.35 max. DC-11 GHz</p>	<p>Fig. 12</p> <p>HN Plug to N Jack 16050</p>
<p>Fig. 13</p> <p>N Plug to SMA Plug 901-292 VSWR: 1.3 max. DC-12.4 GHz</p>	<p>Fig. 14</p> <p>N Plug to SMA Jack 901-294 VSWR: 1.3 max. DC-12.4 GHz</p>	<p>Fig. 15</p> <p>N Plug to TNC Plug 79850 VSWR: 1.35 max. DC-11 GHz</p>

* for complete list of Between Series Adapters, please contact the factory.

between series adapters continued*

<p>Fig. 16 DC-11 GHz Max. VSWR: 1.35</p>  <p>N Plug to TNC Jack 78800 VSWR: 1.35 max. DC-11 GHz</p>	<p>Fig. 17</p>  <p>N Plug to UHF Plug 26700 (UG-318/U)</p>	<p>Fig. 18</p>  <p>N Plug to UHF Jack 4400 (UG-146/U)</p>
<p>Fig. 19</p>  <p>SMA Plug to SMB Plug (female contact) 901-9038 VSWR: 1.08 max. DC-4 GHz</p>	<p>Fig. 20</p>  <p>SMA Plug to SMB Jack (male contact) 901-9037 VSWR: 1.08 max. DC-4 GHz</p>	<p>Fig. 21</p>  <p>SMA Plug to TNC Plug 901-168 VSWR: 1.3 max. DC-12.4 GHz</p>

STRAIGHT ADAPTERS - PLUG TO PLUG OR JACK

Adapter Ends*		Dimensions, inches (millimeters)		Notes		Military Number	Amphenol Number	Fig.
		a	b	Pit.	Ins.			
APC-N Plug	SMA Plug	1.75 (44.5)	.812 (20.6) dia.	P43	D1/18	—	131-1074	1
APC-N Plug	SMA Jack	1.63 (41.3)	.812 (20.6) dia.	P44	D1/18	—	131-1075	2
BNC Plug	C Jack	1.28 (32.5)	.593 (15.1)	P7	D1	UG-635/U	83175	3
BNC Plug	MB Jack	1.00 (25.4)	.562 (14.3)	P1	D1/7	—	47275	4
BNC Plug	N Plug	1.50 (38.1)	.812 (20.6)	P7	D1	UG-1034/U	5225	5
BNC Plug	N Jack	1.56 (39.7)	.625 (15.9)	P1	D1	UG-349A/U	31-217	6
BNC Plug	N Jack	1.56 (39.7)	.625 (15.9)	P1	D1	—	31-217-RFX	6
BNC Plug	SMA Plug	1.09 (27.8)	.562 (14.3) dia.	P49	D1	—	901-164†	7
BNC Plug	SMA Jack	1.06 (27.0)	.562 (14.3)	P8	D1	—	901-165†	8
BNC Plug	TNC Jack	1.25 (31.8)	.625 (15.9)	P1	D1	—	79025	9
BNC Plug	UHF Jack	1.31 (33.3)	.625 (15.9)	P1	D6/8	UG-255/U	2900	10
BNC Plug	UHF Jack	1.31 (33.3)	.625 (15.9)	P1	D6/8	—	2900-RFX	10
C Plug	N Jack	1.54 (38.9)	.750 (19.1)	P7	D1	UG-565A/U	82-540	11
HN Plug	N Jack	1.56 (39.7)	.875(22.2)	P1	D1	—	16050	12
N Plug	SMA Plug	1.70 (43.2)	.812 (20.6) dia.	P52	D1	—	901-292†	13
N Plug	SMA Jack	1.66 (42.1)	.812 (20.6)	P9	D1	—	901-294†	14
N Plug	TNC Plug	1.56 (39.7)	.813 (20.6)	P1	D1	—	79850	15
N Plug	TNC Jack	1.94 (33.3)	.813 (20.6)	P1	D1	—	78800	16
N Plug	UHF Plug	1.73 (44.1)	.750 (19.1)	P1	D1/6	UG-318/U	26700	17
N Plug	UHF Jack	1.41 (35.7)	.813 (20.6)	P1	D6/8	UG-146/U	4400	18
SMA Plug	SMB Plug	.875 (22.2)	.312(7.9) hex.	P29	D1	—	901-9038	19
SMA Plug	SMB Jack	.812(20.6)	.312(7.9) hex.	P31	D1	—	901-9037	20
SMA Plug	TNC Plug	1.12 (28.6)	.593(15.1) dia.	P51	D1	—	901-168†	21

* for complete list of Between Series Adapters, please contact the factory

† BeCu body

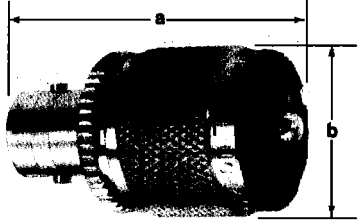
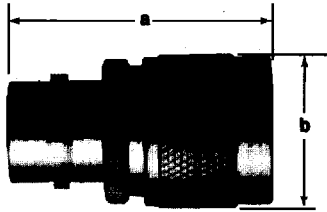
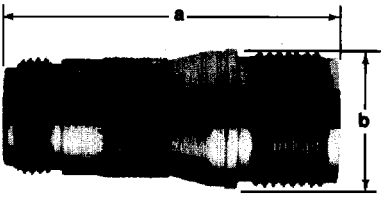
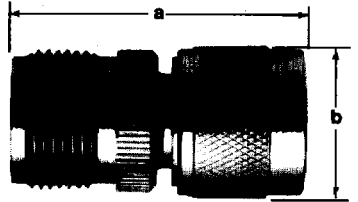
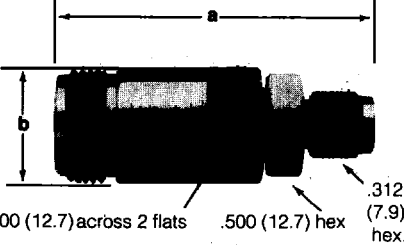
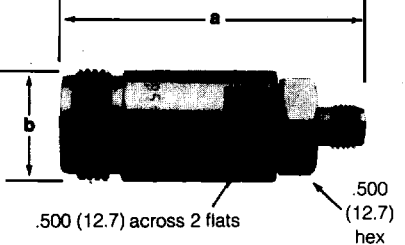
between series adapters*

STRAIGHT ADAPTERS - JACK TO PLUG OR JACK

<p>Fig. 1</p> <p>APC-7 to SMA Plug 131-91038 VSWR: 1.07 max. DC-18 GHz</p>	<p>Fig. 2</p> <p>APC-7 to SMA Jack 131-91028 VSWR: 1.07 max. DC-18 GHz</p>	
<p>Fig. 3</p> <p>APC-N Jack to SMA Plug 131-1076 VSWR: 1.1 max. DC-18 GHz</p>	<p>Fig. 4</p> <p>APC-N Jack to SMA Jack 131-1077 VSWR: 1.1 max. DC-18 GHz</p>	
<p>Fig. 5</p> <p>BNC Jack to C Plug 83200 (UG-636A/U)</p>	<p>Fig. 6</p> <p>BNC Jack to HN Plug 8900 (UG-309/U)</p>	<p>Fig. 7</p> <p>BNC Jack to MB Plug 47250</p>
<p>Fig. 8</p> <p>BNC Jack to N Plug 31-216 (UG-201A/U) 31-216-RFX 82-5558 (M55339/20-00201)</p>	<p>Fig. 9</p> <p>BNC Jack to N Jack 82-5550-1000 VSWR: 1.3 max. DC-4 GHz</p>	<p>Fig. 10</p> <p>BNC Jack to SMA Plug 901-166 VSWR: 1.3 max. DC-4 GHz</p>
<p>Fig. 11</p> <p>BNC Jack to SMA Jack 901-167 VSWR: 1.3 max. DC-4 GHz</p>	<p>Fig. 12</p> <p>BNC Jack to TNC Jack 76400 VSWR: 1.25 max. DC-4 GHz</p>	<p>Fig. 13</p> <p>BNC Jack to TNC Plug 79675 VSWR: 1.25 max. DC-4 GHz</p>

* for complete list of Between Series Adapters, please contact the factory

between series adapters continued*

<p>Fig. 14</p>  <p>BNC Jack to UHF Plug 31-28 (UG-273/U) 31-28-RFX</p>	<p>Fig. 15</p> <p>VSWR: 1.35 max. DC-11 GHz</p>  <p>C Jack to N Plug 82-508 (UG-564/U)</p>	<p>Fig. 16</p>  <p>HN Jack to N Jack 16100</p>
<p>Fig. 17</p>  <p>HN Jack to N Plug 16075</p>	<p>Fig. 18</p>  <p>N Jack to SMA Plug 901-293 VSWR: 1.3 max. DC-12.4 GHz</p> <p>.500 (12.7) across 2 flats .500 (12.7) hex .312 (7.9) hex.</p>	<p>Fig. 19</p>  <p>N Jack to SMA Jack 901-295 VSWR: 1.3 max. DC-12.4 GHz</p> <p>.500 (12.7) across 2 flats .500 (12.7) hex</p>

STRAIGHT ADAPTERS - JACK TO PLUG OR JACK

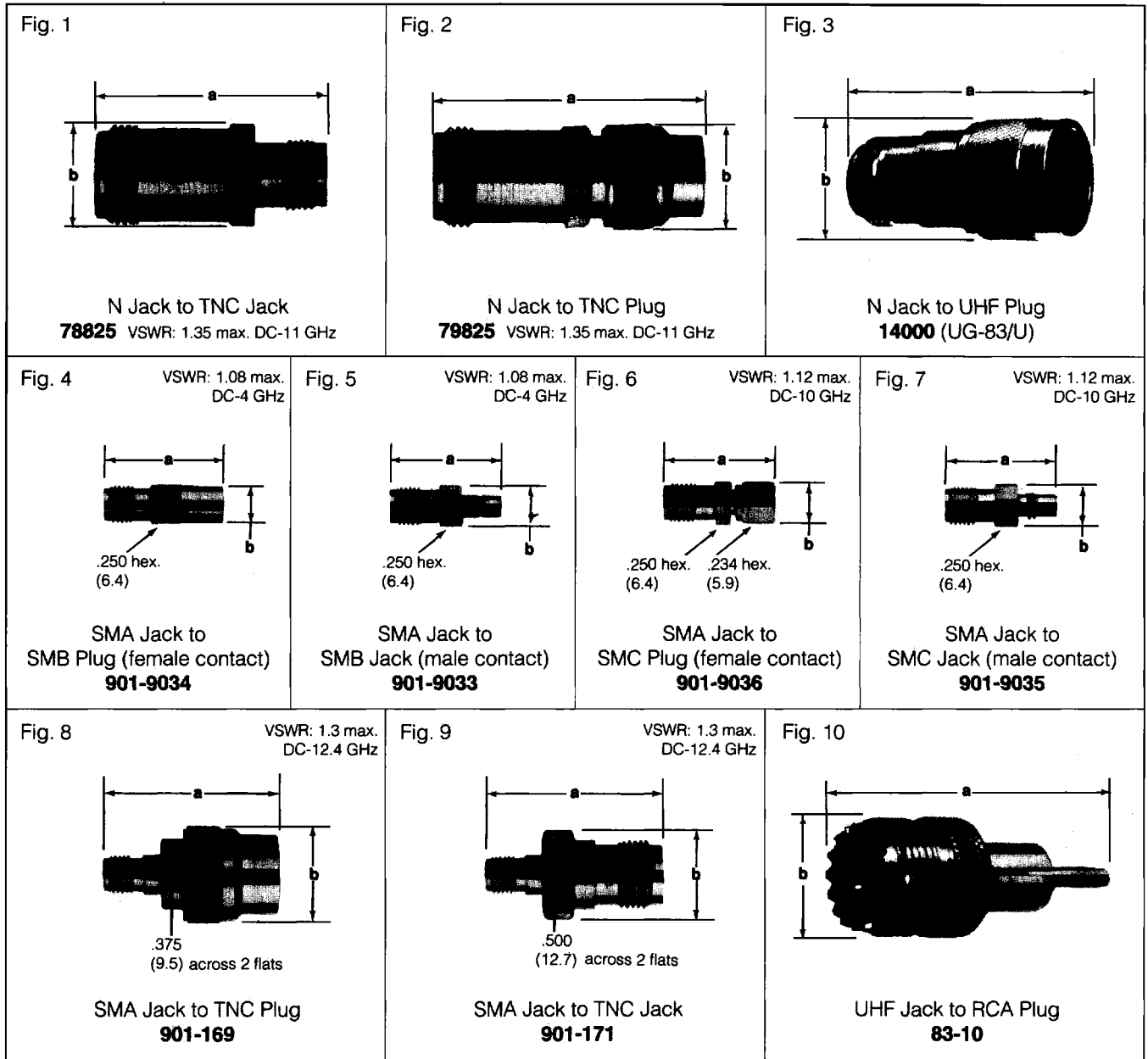
Adapter Ends*		Dimensions, inches (millimeters)		Notes		Military Number	Amphenol Number	Fig.
		a	b	Pit.	Ins.			
APC-7	SMA Plug	1.39 (35.3)	.865 (22.0) dia.	P48	D1/18	—	131-91038†★	1
APC-7	SMA Jack	1.31 (33.3)	.865 (22.0) dia.	P48	D1/18	—	131-91028†★	2
APC-N Jack	SMA Plug	1.72 (43.6)	.625 (15.9) dia.	P45	D1/18	—	131-1076	3
APC-N Jack	SMA Jack	1.59 (40.5)	.625 (15.9) dia.	P44	D1/18	—	131-1077	4
BNC Jack	C Plug	1.23 (31.3)	.500 (19.1)	P7	D1	UG-636A/U	83200	5
BNC Jack	HN Plug	1.50 (38.1)	.843 (21.4)	P1	D1	UG-309/U	8900	6
BNC Jack	MB Plug	.940 (23.8)	.562 (14.3)	P1	D1/6	—	47250	7
BNC Jack	N Plug	1.31 (33.3)	.812 (20.6)	P1	D1	UG-201A/U	31-216	8
BNC Jack	N Plug	1.36 (34.4)	.828 (21.0)	P6	D1	M55339/20-00201	82-5558	8
BNC Jack	N Jack	1.14 (29.0)	.750 (19.1)	P1	D1	—	82-5550-1000	9
BNC Jack	SMA Plug	1.16 (29.4)	.562 (14.3) dia.	P51	D1	—	901-166†	10
BNC Jack	SMA Jack	1.12 (28.6)	.562 (14.3) dia.	P51	D1	—	901-167†	11
BNC Jack	TNC Jack	1.59 (32.5)	.438 (11.1)	P1	D1	—	76400	12
BNC Jack	TNC Plug	1.25 (31.8)	.525 (15.9)	P1	D1	—	79675	13
BNC Jack	UHF Plug	1.19 (30.2)	.719 (18.3)	P1	D6	UG-273/U	31-28	14
BNC Jack	UHF Plug	1.19 (30.2)	.719 (18.3)	P1	D6	—	31-28-RFX	14
C Jack	N Plug	1.38 (34.9)	.812 (20.6)	P7	D1	UG-564/U	82-508	15
HN Jack	N Jack	1.77 (44.8)	.750 (19.1)	P1	D1/6	—	16100	16
HN Jack	N Plug	1.56 (39.7)	.813 (20.6)	P1	D1	—	16075	17
N Jack	SMA plug	1.70 (43.2)	.625 (15.9) dia.	P52	D1	—	901-293†	18
N Jack	SMA Jack	1.66 (42.1)	.625 (15.9) dia.	P9	D1	—	901-295†	19

* for complete list of Between Series Adapters, please contact the factory.

★ to obtain fluted nut, delete '9' from part number

† BeCu body

between series adapters continued*



STRAIGHT ADAPTERS - JACK TO PLUG OR JACK - CONTINUED

Adapter Ends*		Dimensions, inches (millimeters)		Notes		Military Number	Amphenol Number	Fig.
		a	b	Pit.	Ins.			
N Jack	TNC Jack	1.39 (35.3)	.625 (15.9)	P1	D1	—	78825	1
N Jack	TNC Plug	1.66 (42.1)	.625 (15.9)	P1	D1	—	79825	2
N Jack	UHF Plug	1.56 (39.7)	.750 (19.1)	P1	D1/6	UG-83/U	14000	3
SMA Jack	SMB Plug	.750 (19.1)	.250 (6.4) hex.	P1	D1	—	901-9034	4
SMA Jack	SMB Jack	.705 (17.9)	.250 (6.4) hex.	P30	D1	—	901-9033	5
SMA Jack	SMC Plug	.750 (19.1)	.250 (6.4) hex.	P17	D1	—	901-9036	6
SMA Jack	SMC Jack	.705 (17.9)	.250 (6.4) hex.	P17	D1	—	901-9035	7
SMA Jack	TNC Plug	1.09 (27.8)	.593 (15.1) dia.	P51	D1	—	901-169	8
SMA Jack	TNC Jack	1.12 (28.6)	.562 (14.3) dia.	P51	D1	—	901-171	9
UHF Jack	RCA Plug	1.64 (41.7)	.650(16.5) hex.	P3	D10	—	83-10	10