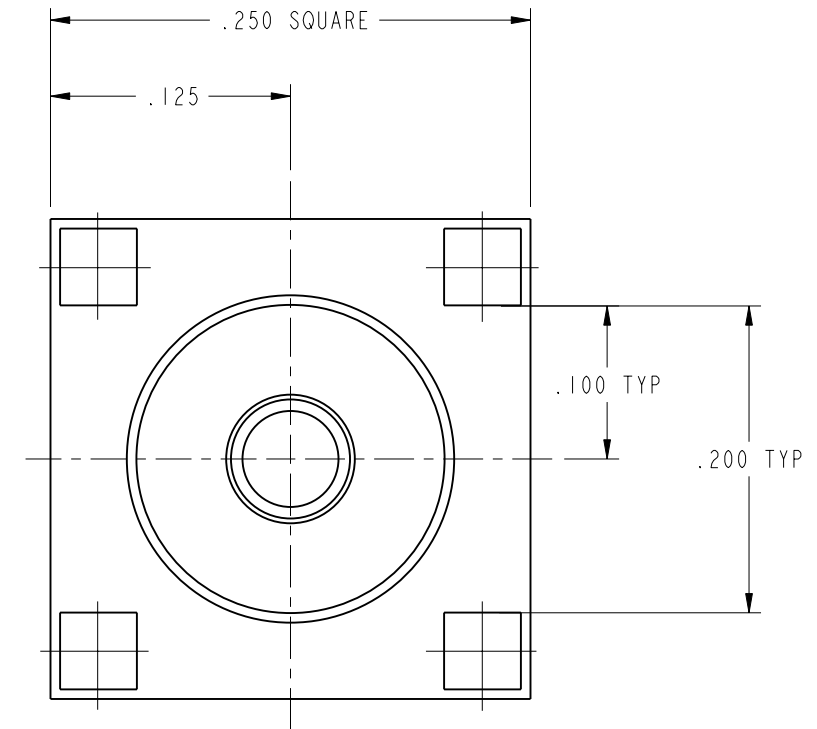
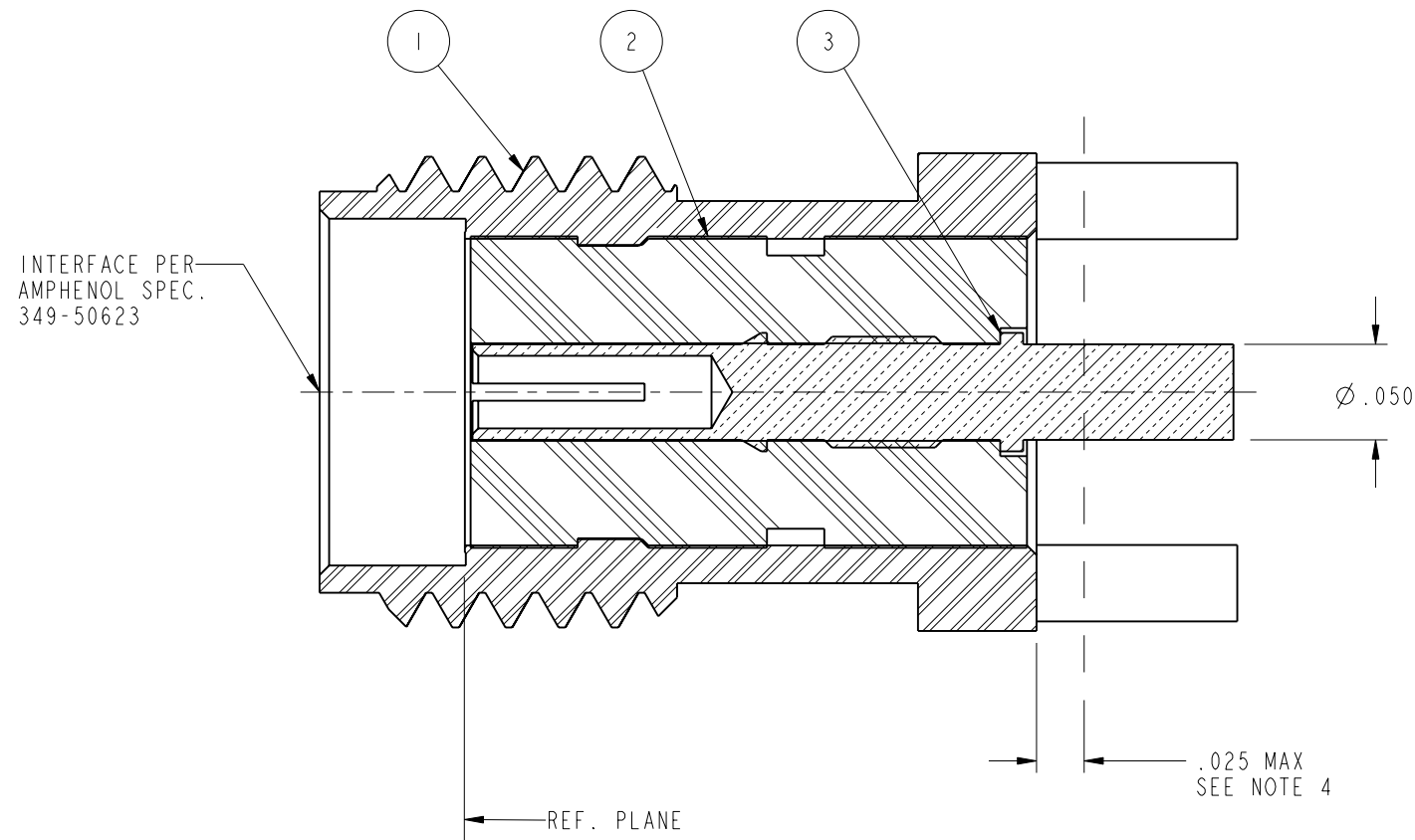
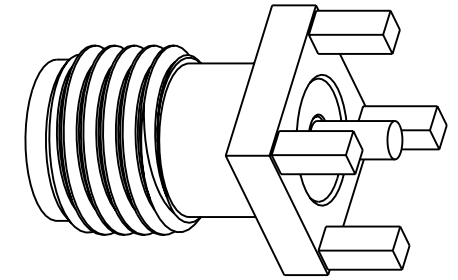


NOTES:

1. PLATING PER AMPHENOL SPEC. 349-50560. CONNECTOR IS GOLD PLATED. (REF)
2. CONNECTOR MUST MEET REQUIREMENTS OF AMPHENOL SPEC 349-50623.
3. PACKAGE CONNECTOR IN ANTI STATIC BAG 999-226. MARK BAG "AMPHENOL, 901-144-2" AND DATE CODE.
4. SOLDER POSTS AND CONTACT SHALL BE LEAD FREE SOLDER DIPPED TO WITHIN .025 OF BODY. SOLDER THICKNESS SHALL BE .000300 MIN PER MIL-STD-202 METHOD 208. SOLDER MUST NOT TOUCH BODY.

901-144-2		REVISIONS			
DRAWING NO.	REV	DESCRIPTION	DATE	ECO	APPR
THIRD ANGLE PROJ.	A	OFFICIAL ENG. RELEASE TO MFG.	7/9/90	37348	PB
	G	REDRAWN PRO/E; SEE ECO FOR MORE INFORMATION	6/13/96	41421	RF/BG
	H	ITEM 1 WAS 901-6842-2GY	8/2/00	43379	CPM
	J	NOTE 4 WAS 60/40 SOLDER	2/3/06	45906	CPM



901-6833-GY	1	3	CONTACT	NOTE 1
901-6843	1	2	INSULATOR	
901-6842-2HO	1	1	BODY	NOTE 1
PART NUMBER	QTY.	ITEM	DESCRIPTION	FINISH

UNLESS OTHERWISE SPECIFIED, DIMENSIONS ARE IN INCHES AND TOLERANCES ARE: 2 PLACE DECIMAL 3 PLACE DECIMAL ANGLES ±.015 (0,381 mm) ±.005 (0,127 mm) ± 1°	MATERIAL	DRAWN	DATE	TITLE		Amphenol RF Danbury, CT, USA Tainan, Taiwan Shenzhen, China www.amphenolrf.com			
		P. BRENZEL	6-18-90						
NOTICE - These drawings, specifications, or other data (1) are, and remain the property of Amphenol Corp. (2) must be returned upon request; and (3) are confidential and not to be disclosed to any person other than those to whom they are given by Amphenol Corp. The furnishing of these drawings, specifications, or other data by Amphenol Corp., or to any other person to anyone for any purpose is not to be regarded by implication or otherwise in any manner licensing, granting rights or permitting such holder or any other person to manufacture, use or sell any product, process or design, patented or otherwise, that may in any way be related to or disclosed by said drawings, specifications, or other data.	REFERENCE	ENGINEER	DATE	SMA (FEMALE) PCB RECEPTACLE				SCALE: 10.0:1	SHEET 1 OF 1
	EAR 111-961820 ALCATEL 357-7574-040 REV G GEN#ASSYFI_SMA	P. BRENZEL	6-18-90						
		APPROVED	DATE	CODE ID	DWG SIZE	DRAWING NO.	REV		
		J. LANCZYCKI	7-5-90	74868	B	901-144-2	J		
		CAD FILE							
		I:\SMA\901-144-2							