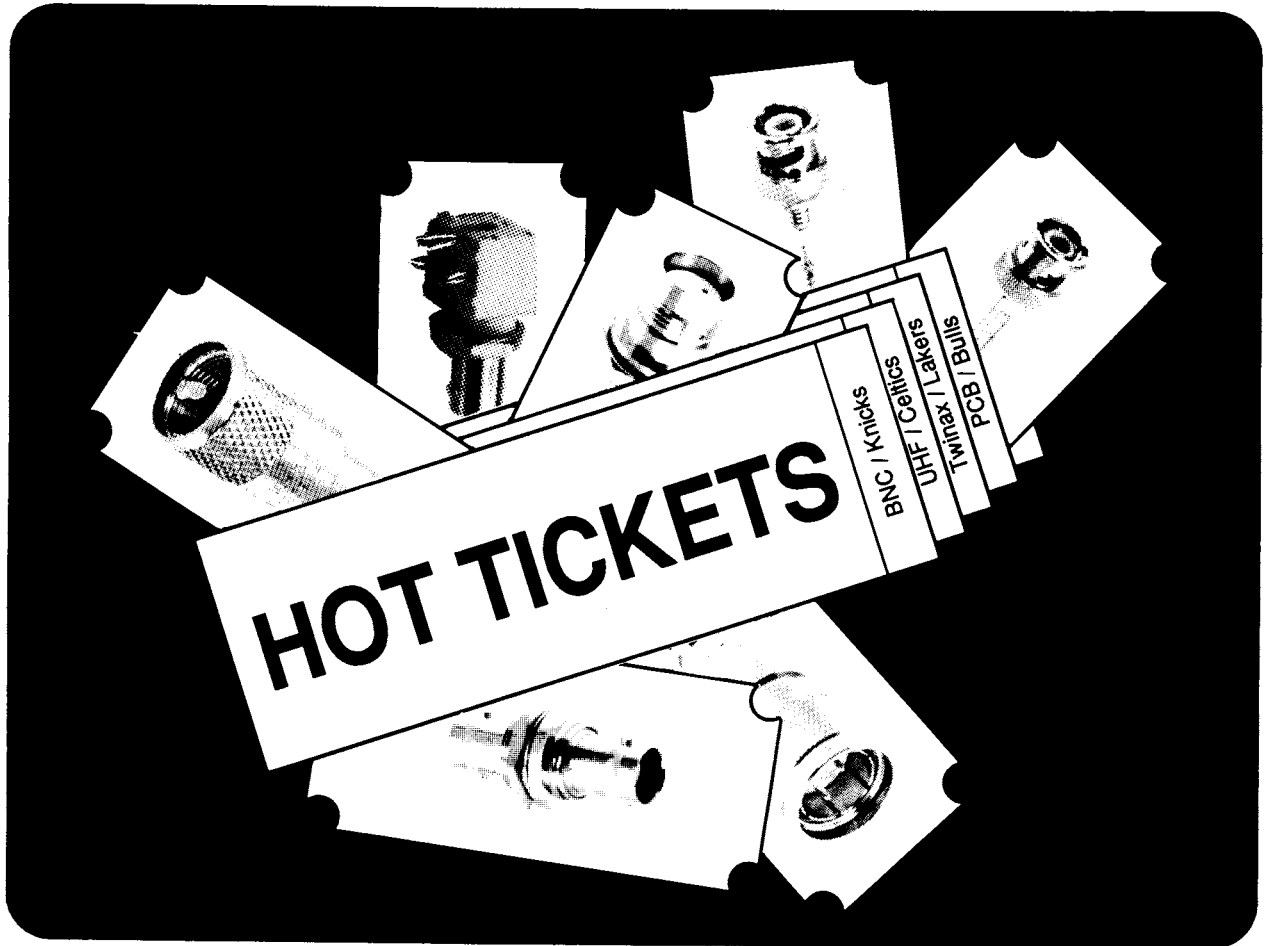


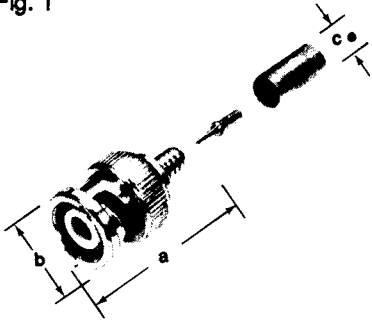
Amphenol® RF



**Your most popular
RF connectors
are immediately available
from stock!**

Call your authorized Amphenol® RF Distributor for delivery
guaranteed when you need it.

Fig. 1

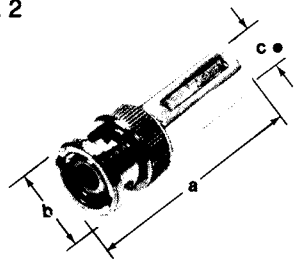


BNC 3 Piece Crimp Type Plugs
31-320, 36775
 for RG-58 cable
31-321, 68175-1004
 for RG-59, 62 cable
31-315
 for RG-174, 188, 316 cable

INDUSTRY STANDARD CROSS REFERENCE

Amphenol	AMP	Kings	MIL/UG
31-320	225395-1	KC-59-291, KC-59-123	M23329/3-01, 3-03
36775	225395-1	KC-59-632 -M06	—
31-321	225395-2	KC-59-294	M23329/3-05
68175-1004	225395-2	KC-59-294	—
31-315	222188-5, 225395-7	KC-59-152	—

Fig. 2

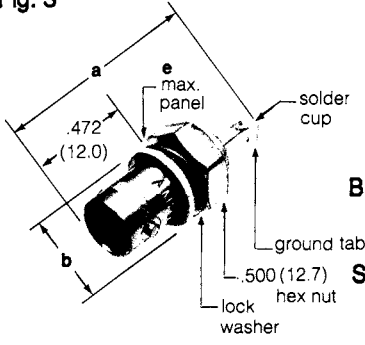


BNC SURETWIST® Plug
31-5136
 for RG-59, 62 cable

INDUSTRY STANDARD CROSS REFERENCE

Amphenol	AMP	Kings	MIL/UG
31-5136	221984-1	—	—

Fig. 3

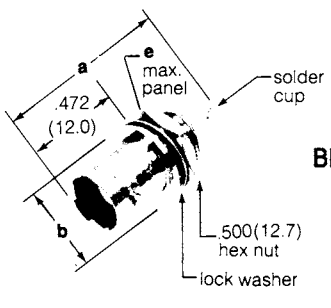


BNC Bulkhead Receptacle Isolated from Ground, Front Mount
Solder Cup & Ground Tab
31-10 (IBM 925390)
 Silver Plt. Contact

INDUSTRY STANDARD CROSS REFERENCE

Amphenol	AMP	Kings	MIL/UG
31-10	227726-2	—	—

Fig. 4



BNC Bulkhead Receptacle Front Mount, Solder Cup Terminal
31-221 (UG-1094)
 .125 Max. Panel Mtg. Hole U

INDUSTRY STANDARD CROSS REFERENCE

Amphenol	AMP	Kings	MIL/UG
31-221	228509-8, 227715-2	KC-79-35	M23329/3-01, 3-03

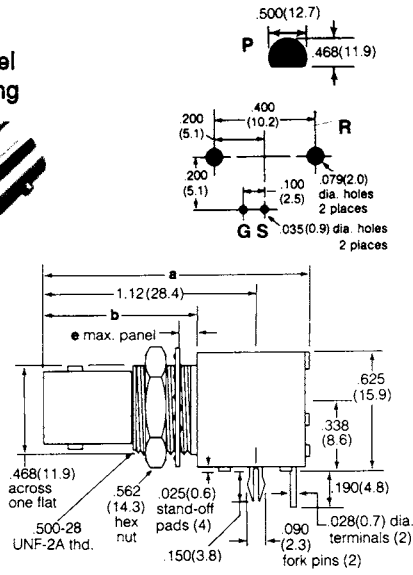
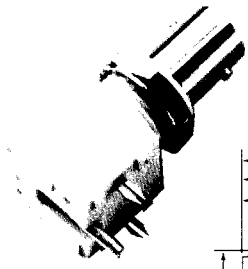
Amphenol RF

Most Popular in Industry

Fig. 5

Standard BNC Printed Circuit Board Right Angle Bulkhead Receptacle

31-5431
 Isolated From Panel
 White Valox Housing



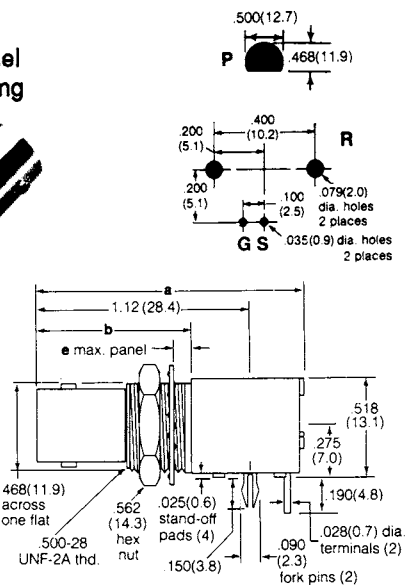
INDUSTRY STANDARD CROSS REFERENCE

Amphenol	AMP	Kings	MIL/UG
31-5431	227161-3	—	—

Fig. 6

Low Profile BNC Printed Circuit Board Right Angle Bulkhead Receptacle

31-5486
 Isolated From Panel
 White Valox Housing

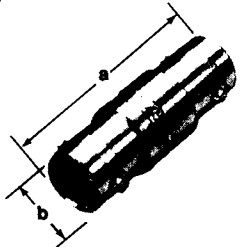


INDUSTRY STANDARD CROSS REFERENCE

Amphenol	AMP	Kings	MIL/UG
31-5486	227161-7	—	—

Stocked Products

Fig. 7

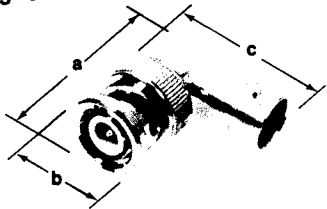


**BNC Straight Adapter
Jack-Jack
31-219**

INDUSTRY STANDARD CROSS REFERENCE

Amphenol	AMP	Kings	MIL/UG
31-219	221551-1	KC-99-30	UG-914/U

Fig. 8

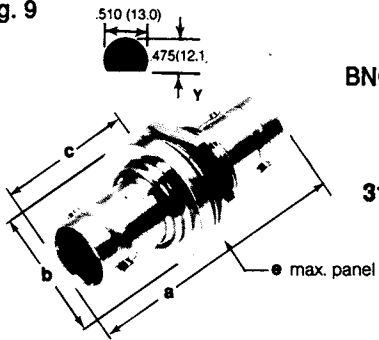


**BNC Angle Adapter
Jack-Plug
31-9**

INDUSTRY STANDARD CROSS REFERENCE

Amphenol	AMP	Kings	MIL/UG
31-9	222165-2	KC-99-35	UG-306/U

Fig. 9

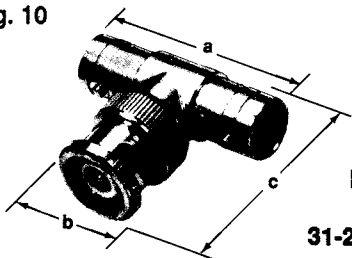


**BNC Bulkhead Adapters
Jack-Jack
31-220H Sealed
.187" max. panel
31-220N Non-sealed
.187" max. panel**

INDUSTRY STANDARD CROSS REFERENCE

Amphenol	AMP	Kings	MIL/UG
31-220H	—	KC-99-33	UG-492A/U
31-220N	228226-2	KC-99-95-MO6	—

Fig. 10

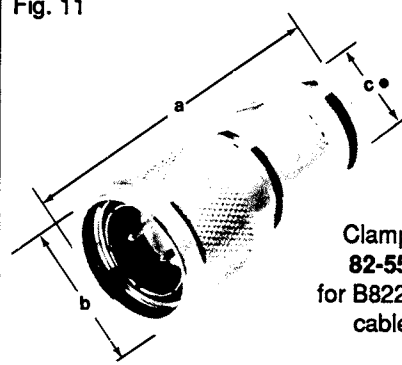


**BNC Tee Adapter
Jack-Plug-Jack
31-208 Silver Plt. Contact**

INDUSTRY STANDARD CROSS REFERENCE

Amphenol	AMP	Kings	MIL/UG
31-208	329518, 221543-2	KC-99-64	UG-274A/U

Fig. 11

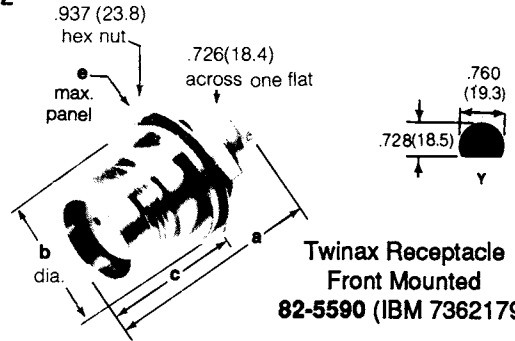


**Clamp Type Twinax Plug
82-5589 (IBM 7362229)
for B8227 & B9207, and other
cables to IBM 7362211**

INDUSTRY STANDARD CROSS REFERENCE

Amphenol	AMP	Kings	MIL/UG
82-5589	227241-1	KU-59-99-MO6	—

Fig. 12

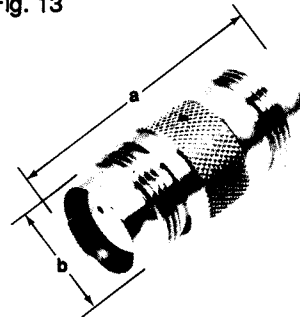


**Twinax Receptacle
Front Mounted
82-5590 (IBM 7362179)**

INDUSTRY STANDARD CROSS REFERENCE

Amphenol	AMP	Kings	MIL/UG
82-5590	228284-1	KU-79-51-MO6	—

Fig. 13

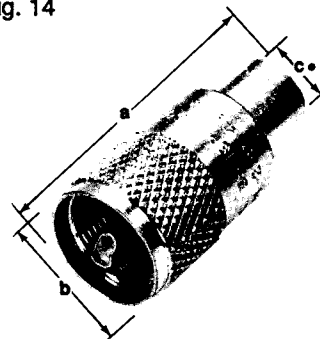


**Twinax Barrel Adapter
Jack-Jack
82-5588 (IBM 7362230)**

INDUSTRY STANDARD CROSS REFERENCE

Amphenol	AMP	Kings	MIL/UG
82-5588	227502-1	KU-99-21-MO6	—

Fig. 14



**UHF Solder Type Plug
83-1SP-1050 for RG-8**

INDUSTRY STANDARD CROSS REFERENCE

Amphenol	AMP	Kings	MIL/UG
83-1SP-1050	—	KU-59-22	—

Amphenol® RF Industry Standard Stocked Products Data*

BNC PLUGS • 2 stud bayonet mating • 50Ω impedance

Cable RG-U	Cable Attachment		Dimensions, inches (millimeters)			Construction Notes				Military Number	Amphenol Number	Fig.
	Outer	Inner	a	b	c •	CAI	Pit.	Ins.	Other			
55, 58, 141, 142, 223, 400	Crimp	Crimp	1.11(28.2)	.562(14.3)	.206(5.2)	C9	P2	D1	—	M23329/3-01,3-03	31-320	1
			—	—	—	—	—	—	—	—	36775	
59, 62, 140, 210	Crimp	Crimp	1.12(28.5)	.562(14.3)	.261(6.6)	C9	P2	D1	—	M23329/3-05	31-321	1
			1.12(28.5)							—	68175-1004	
	SURETWIST*	1.47(37.3)	.562(14.3)	.219(5.6)	C11	P12	D15	—	—	31-5136	2	
174, 188, 316	Crimp	Crimp	1.19(30.2)	.562(14.3)	.117(3.0)	C9	P2	D1	—	—	31-315	1

BNC BULKHEAD RECEPTACLES

Description	Terminal Type	Dimensions, inches (millimeters)			Pit.	Ins.	MTG Hole	Military Number	Amphenol Number	Fig.
		a	b	e						
Bulkhead Receptacle, Front Mount, isolated From Panel, White Molded Thermoplastic Ins.	Solder Cup, Ground Tab	1.19(30.2)	.500(12.7)	.187(4.8)	P1	D12	Z	(IBM 925390)	31-10	3
Bulkhead Receptacle, Front Mount	Solder Cup	1.06(27.0)	.500(12.7)	.125(3.2)	P1	D1	U	UG-1094	31-221	4

BNC PRINTED CIRCUIT BOARD RECEPTACLES

Description	Terminal Type	Dimensions, inches (millimeters)			Notes			MTG Hole	Notes	Amphenol Number	Fig.
		a	b	e	Pit.	Ins.	Imp				
Standard, Printed Circuit Angle Bulkhead Receptacle (J), Mount to Board w/Two Fork Pins	Blunt Posts for Signal & Ground	1.40(35.6)	.810(20.6)	.250(6.4)	P14	D17	50Ω	R/P	Isolated White Housing	31-5431	5
Low Profile, Printed Circuit Angle Bulkhead Receptacle (J), Mount to Board w/Two Fork Pins	Blunt Posts for Signal & Ground	1.40(35.6)	.810(20.6)	.250(6.4)	P14	D17	50Ω	R/P	Isolated White Housing	31-5486	6

BNC ADAPTERS

Description	Cable Attachment	Dimensions, inches (millimeters)			Notes			MTG Hole	Military Number	Amphenol Number	Fig.
		a	b	c	e	Pit.	Ins.				
Straight	Jack-Jack	1.28(32.5)	.437(11.1)	—	—	P1	D1	—	UG-914	31-219	7
Angle	Jack-Plug	1.06(27.0)	.562(14.3)	1.02(25.8)	—	P1	D1	—	UG-306	31-9	8
Bulkhead, Pressurized	Jack-Jack	1.40(35.6)	.625(15.9)	.683(17.3)	.187(4.8)	P1	D1	Y	UG-492A	31-220H	9
Bulkhead, Non Sealed Version of 31-220H			.800(20.3)	.664(16.9)					—	31-220N	9
Tee	Jack-Plug-Jack	1.28(32.5)	.562(14.3)	1.06(27.0)	—	P1	D1	—	UG-274A	31-208	10

KEYED 90° TWINAX CONNECTORS • twin contacts • 3/4-20 thread mating

Cable/Description	Cable Attachment		Dimensions, inches (millimeters)				Notes			MTG hole	IBM Ref. Number	Amphenol Number	Fig.
	Outer	Inner	a	b	c	e	CAI	Pit.	Ins.				
Plug Times AA-6026, AA8076, AA-6079 Brand Rex T8756A Belden 8227, 9207 IBM 7362211	Clamp	Solder or Crimp	1.89(48.0)	.890(22.6)	.340(8.7)	—	C6	P1	D12	—	7362229	82-5589	11
Receptacle, Front Mount, Solder Cup Terminals	—	—	1.60(40.6)	.937(23.8)	.710(18.0)	.190(4.8)	—	P1	D12	Y	7362179	82-5590	12
Barrel Adapter Jack - Jack	—	—	1.67(42.5)	.794(20.7)	—	—	—	P1	D12	—	7362230	82-5588	13

UHF CABLE PLUGS • male contacts

Cable RG-U	Cable Attachment		Dimensions, inches (millimeters)			Construction Notes				Military Number	Amphenol Number	Fig.
	Outer	Inner	a	b	c •	CAI	Pit.	Ins.	Other			
8, 9, 11, 13, 63, 87A, 149, 213 214, 216, 225	Solder	Solder	1.50(38.0)	.750(19.0)	.444(11.3)	C1	P1	D3	IBM 460147	PL-259	83-1SP-1050	14

* for complete information on stocked products