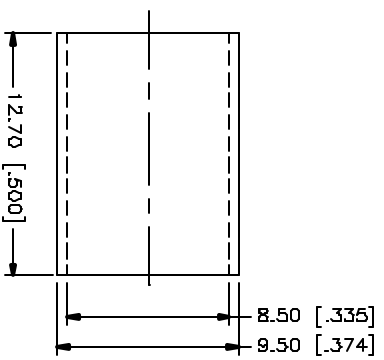
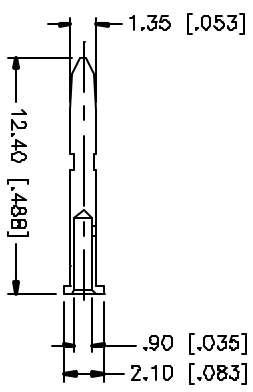
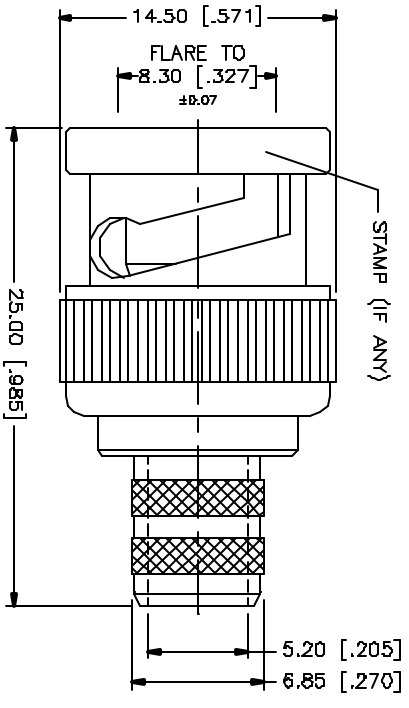
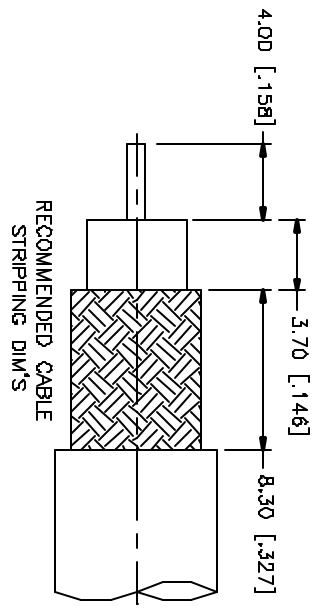


REV	DATE	DESCRIPTION
A	5/1/04	UPDATE DRAWING FORMAT



CRIMP NOTES:

1. CRIMPED FERRULE
HEX CRIMP SIZE .324"
2. CRIMPED CONTACT PIN
SQ. CRIMP SIZE .043"

QTY	FINISH	MATERIAL	DESCRIPTION
1	NICKEL	COPPER	FERRULE
1	GOLD	BRASS	CONTACT PIN
1	NATURAL	TEFLON	INSULATOR
1	NICKEL	BRASS	SHELL/BODY

APPROVALS	DATE
DRAWN C.R.S.	05/01/04
CHECKED	
ISSUED	
SHEET 1 OF 1	

Amphenol Connex

BNC CRIMP PLUG
(FOR BELDEN 8281 CABLE)

112953

DO NOT SCALE DRAWING

DO FILE C:/112/112953.DWG

DWG. NO. 112953.DWG

REV. A

SIZE A

SCALE NA

UNLESS OTHERWISE SPECIFIED DIMENSIONS ARE IN MILLIMETERS. DIMENSIONS IN [] ARE IN INCHES AND FRACTIONAL DECIMALS ONLY. TOLERANCES FOR MILLIMETERS ARE:
 0.5 - 8mm ± 0.20mm
 8 - 30mm ± 0.40mm
 30 - 120mm ± 0.50mm
 UNLESS OTHERWISE SPECIFIED TOLERANCES FOR INCHES ARE:
 .030 - .315 ± 0.007"
 .315 - 1.180 ± 0.015"
 1.180 - 4.724 ± 0.020"