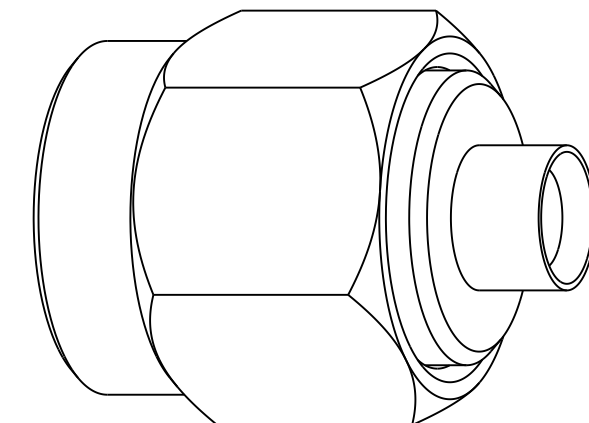
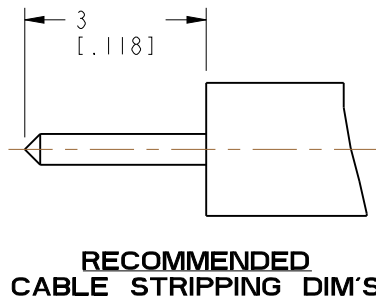


NOTES:

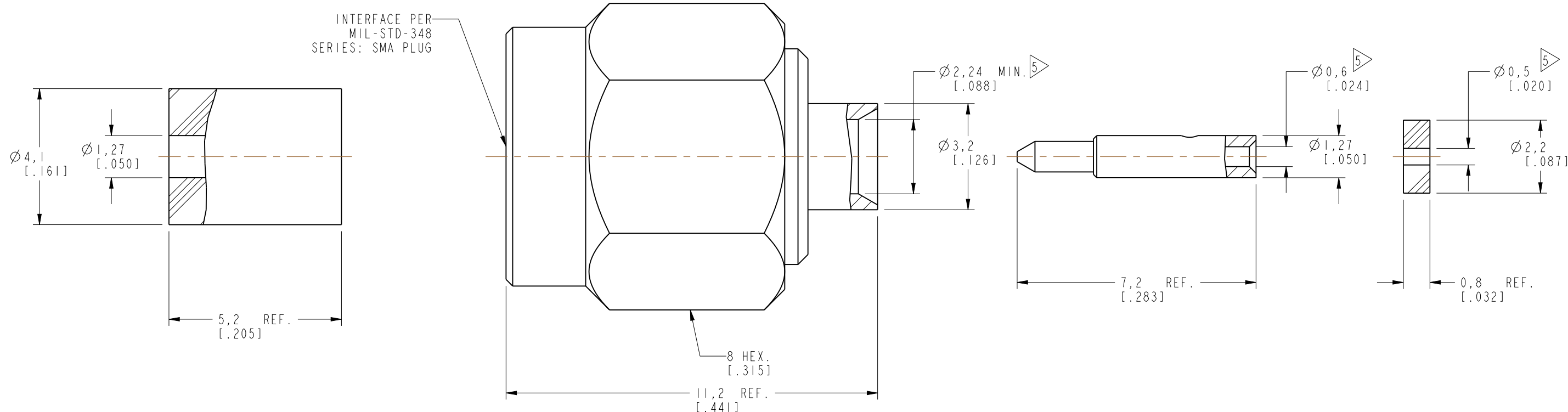
1. MATERIALS AND FINISHES:
 COUPLING NUT - STAINLESS STEEL, PASSIVATED
 RETAINER RING - SUS 304, NATURAL
 BODY - BRASS, GOLD PLATING
 CONTACT - BRASS, GOLD PLATING
 GASKETS - SILICONE RUBBER, RED
 INSULATOR - PTFE, NATURAL
2. ELECTRICAL:
 A. IMPEDANCE: 50 OHMS
 B. FREQUENCY RANGE: DC - 18 GHz
 C. VSWR (RETURN LOSS): 1.3 MAX.
 D. DIELECTRIC WITHSTANDING VOLTAGE: 750 VRMS, MIN.
3. MECHANICAL:
 A. DURABILITY: 500 CYCLES MIN.
 B. TEMPERATURE RANGE: -65°C TO +165°C
4. CONTACT PIN TO SOLDER
5. SHOWS CABLE ENTRY DIMENSIONS.

THIRD ANGLE PROJ.

REVISIONS				
REV	DESCRIPTION	DATE	ECN	APPR
NC	INITIAL RELEASE	12-Jun-02	-----	GRS
A	UPDATE DRAWING FORMAT, ADD BODY X-SECTION	25-Feb-08	-----	GRS
D	SYNC, REDRAWING IN THE PRO/E	07-Aug-18	-----	MZ



SCALE 6.000



CUSTOMER OUTLINE DRAWING
ALL OTHER SHEETS ARE FOR INTERNAL USE ONLY

UNLESS OTHERWISE SPECIFIED, DIMENSIONS ARE IN METRIC AND TOLERANCES ARE: <0.5mm ±0.05mm 0.5 - 6mm ±0.1mm 6 - 30mm ±0.2mm 30 - 120mm ±0.3mm ANGLES ±1°	MATERIAL	DRAWN	DATE	TITLE		Amphenol RF www.amphenolrf.com
	SEE NOTES	M. ZHANG	07-Aug-18	SMA SEMI-RIGID PLUG (FOR .085", .086")		
NOTICE - These drawings, specifications, or other data (1) are, and remain the property of Amphenol corp. (2) must be returned upon request; and (3) are confidential and not to be disclosed to any person other than those to whom they are given by Amphenol Corp. the furnishing of these drawings, specifications, or other data by Amphenol Corp., or to any other person to anyone for any purpose is not to be regarded by implication or otherwise in any manner licensing, granting rights to permitting such holder or any other person to manufacture, use or sell any product, process or design, patented or otherwise, that may in any way be related to or disclosed by said drawings, specifications, or other data.	REFERENCE	ENGINEER	DATE	SCALE: 8.0:1.0		DRAWING NO. SMA1181ZI-3G/ST50G-.085-50
	EAR#	S. LI	22-Aug-13	SHEET 2 OF 2		ITEM NO. 111181AAJ45HE5F
	REF:	APPROVED	S. HSIEH	DATE	DWG SIZE	REV
	CONFIGURATION LEVEL: In Work	S. HSIEH	07-Aug-18	B	D	PART NO. 132248
FINISH	CAD FILE					