

### PRODUCT FINDER

- Reed Switches
- Reed Relays
- Passive Infrared Detectors
- Photoelectric Beams
- Opto Sensors
- Proximity Sensors

- Application Notes
- Magnet Selection
- Lever
- Magnet
- DS-M2
- MJS-2234
- PS-0016
- PS-0018
- PS-0021**
- PS-0024
- PS-0048
- PS-500
- PS-510
- PS-520
- PS-1522
- PS-3150
- PS-3170
- PS-3251
- PS-3529
- PS-3670
- PS-3870
- PS-3980
- PS-4122
- PS-4221
- PS-5171
- PS-6132
- PS-6231
- PS-6341
- PS-6503
- PSP-05

- Shield
- Automotive Sensors
- Level Sensors
- Flow Sensors
- Magnetic Contacts
- Video

## Aleph PS-0021 - Threaded Package Proximity Sensor

- Miniature, Dust and waterproof
- Adjustable position with threaded package
- Recommended for satellite antenna controllers

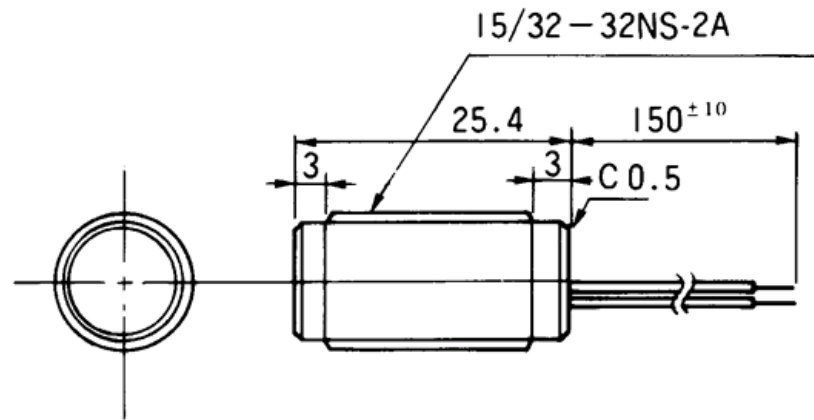


[Click Here to Choose Magnet](#)

### Specifications

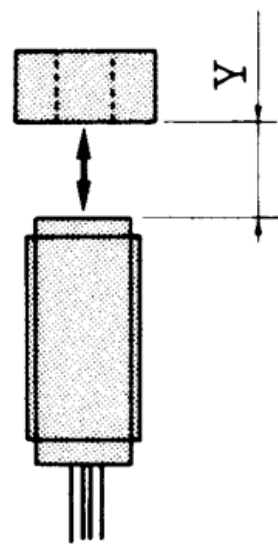
Item	Value
Contact Form	NO
Contact Rating	20W max
Switching Voltage	200VDC max
Switching Current	0.5A max
Breakdown Voltage (open contact)	1500VDC min.
Contact Resistance (initial)	0.2W max
Electrical Life (resistive loads)	10 <sup>7</sup> (12VDC, 5mA)
Operating Temp.	-10 ~ +60°C

### Dimensions



Case material: Glass filled Nylon 6  
 Wire: UL-1007, AWG #20  
 Dimensions in mm (1 mm = 0.0394 inches)

### Operating Characteristics



Magnet TG-0141  
 OFF (operate point) : Y=5.5 mm  
 ON (release point) : Y=14 mm

