

### PRODUCT FINDER

Reed Switches

Selection Guide

Application Notes

[HYR-1003](#)

[HYR-1508](#)

[HYR-1531](#)

[HYR-1532](#)

[HYR-1552](#)

**[HYR-1555](#)**

[HYR-1559](#)

[HYR-2003-1](#)

[HYR-2003-2](#)

[HYR-2016](#)

[HYR-2034](#)

[NRS-701A](#)

[NRS-771](#)

[RD-7B](#)

[RD-7B-S002](#)

[RD-8B](#)

[RD-8N](#)

[RD-9A-S002](#)

[RD-9B](#)

[RD-18A-S001](#)

[RD-75AA](#)

[RD-76](#)

Reed Relays

Passive Infrared Detectors

Photoelectric Beams

Opto Sensors

Proximity Sensors

Automotive Sensors

Level Sensors

Flow Sensors

Magnetic Contacts

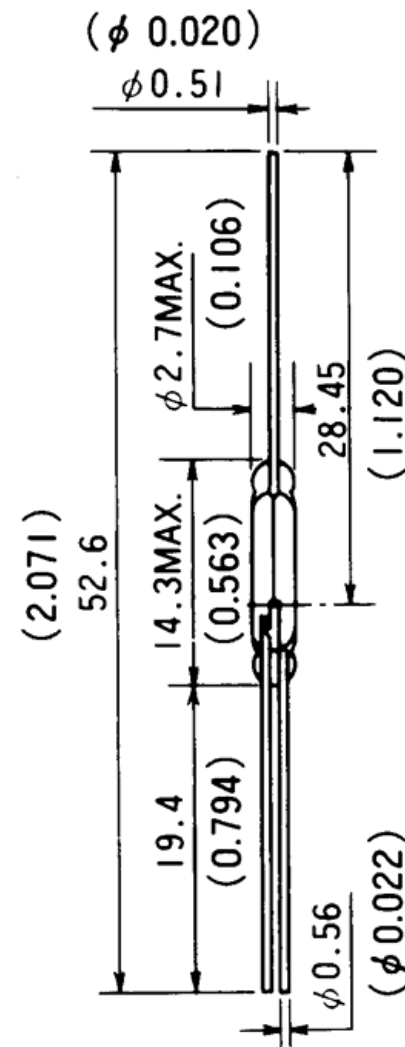
Video

## Aleph HYR-1555 - Form "C" Reed Switch

### Specifications / Dimensions

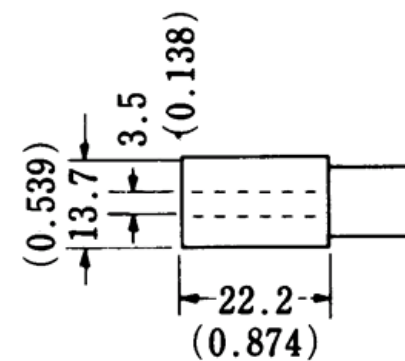
Item	Value
Contact Form	1C
Contact Position <sup>1</sup>	O
Contact Material	Ruthenium <sup>3</sup>
Max Contact Rating	3W
Max Switching Voltage	100VDC
Max Switching current	0.25A
Max Initial Contact Resistance	200m Ohm
Pull in Value (AT)	15-50
Mn. Drop out Value (AT)	5
Mn. Breakdown Voltage <sup>2</sup>	200VDC
Max Contact Capacitance	0.8pF
Mn. Insulation Resistance	10 <sup>9</sup> Ohm
Typ. Resonant Frequency	2.4kHz
Electrical Life (Resistive loads)	10 <sup>8</sup> (10mVDC, 10µA) 2 X 10 <sup>6</sup> (12VDC, 250mA)
Features	Single pole, double throw

1. C: Center gap O: Off center gap
2. Breakdown voltage specifications are based on Pull-In sensitivity of 25 AT or higher. Contact ALEPH for information for switches with less than 25 AT sensitivity.
3. Ruthenium Oxide over Rhodium.



### Test Coil - TC-0502

Number of Turns	5,000
Wire Gauge	AWG #40
Coil Resistance	420W



Aleph is a leading manufacturer of Opto Sensors (interrupter, reflective and actuator type), Magneto Resistive, Inductive, Thermal (reed switch), Magnetic Proximity (reed switch) and Deceleration/Crash type sensors.

Our security products are considered some of the best in the world. We manufacture and distribute Passive Infrared Detectors, Photoelectric Beams and Magnetic Contacts.

**Aleph America**  
4700 Aircenter Circle  
Reno, NV 89502

**775-827-8000**

#### About Us

[Aleph America](#)  
[Aleph Holland](#)  
[Aleph Japan](#)  
[Aleph China](#)

[Staff Contacts](#)  
[Sales Offices & Distributors](#)

#### Products

[Reed Switches](#)  
[Reed Relays](#)  
[Passive Infrared Detectors](#)  
[Photoelectric Beams](#)  
[Opto Sensors](#)  
[Proximity Sensors](#)  
[Automotive Sensors](#)  
[Level Sensors](#)  
[Flow Sensors](#)  
[Magnetic Contacts](#)  
[Aleph Video](#)

#### Contact Us

[Request a Catalog](#)  
[Request a Quote](#)  
[Request Cross-Reference](#)  
[Staff Contacts](#)  
[Find a Sales Office or Distributor](#)