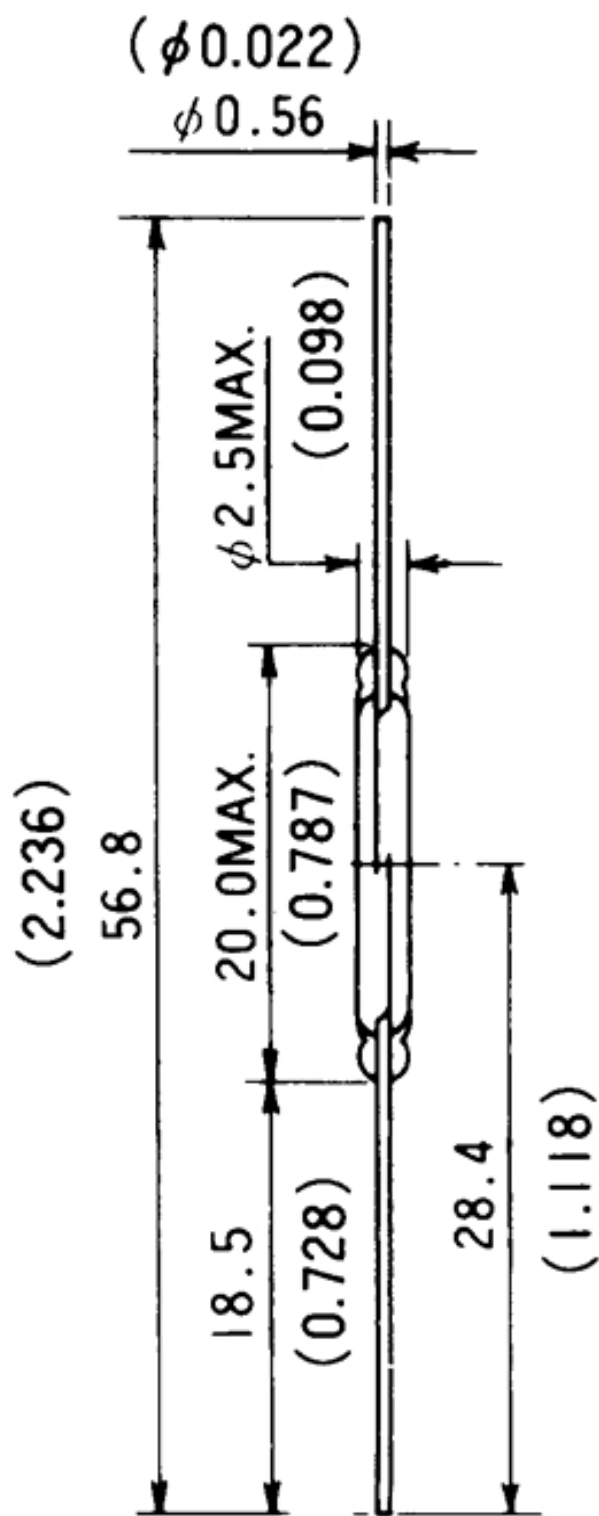


HYR - 2001 - General Application

Specifications/Dimensions

Item	Value
Contact Form	1A
Contact Position ¹	C
Contact Material	Rhodium
Max. Contact Rating	10W
Max. Switching Voltage	200VDC
Max. Switching current	0.5A
Max. Initial Contact Resistance	100mW
Pull in Value (AT)	15-50
Min. Drop out Value (AT)	6
Min. Breakdown Voltage ²	300VDC
Max. Contact Capacitance	0.4pF
Min. Insulation Resistance	10 ¹⁰ W ³
Typ. Resonant Frequency	3kHz
Electrical Life (Resistive loads)	10 ⁷ (5VDC, 10mA) 10 ⁶ (100VDC, 100mA)
Features	General application

1. C: Center gap O: Off center gap
2. Breakdown voltage specifications are based on Pull -In sensitivity of 25 AT or higher. Contact ALEPH for information for switches with less than 25 AT sensitivity. HYR4000, HYR5000, HYR9000 Series are specified on basis of the lowest AT Pull -In sensitivity range.
3. High IR model is available. Specify P/N HYR2010



Test Coil - TC-0502

Number of Turns	5,000
Wire Gauge	AWG #40
Coil Resistance	420W

Test Coil

