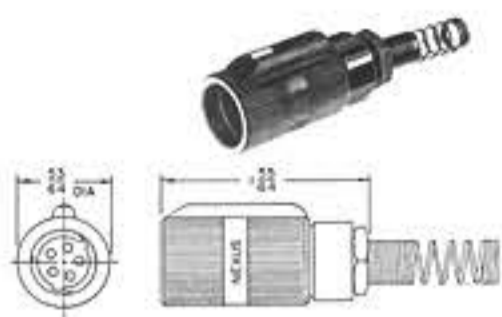


Amphenol Nexus Technologies, Incorporated
 50 Sunnyside Ave.
 Stamford, CT 06902
Phone: 203-327-7300 • **Fax:** 203-324-7623
Email: salesinfo@nexus.com • **Website:** www.nexus.com

[All Categories](#) > [M55116 Mil-Spec and Mil-Spec-type Connectors](#) > [Audio Plugs \(MIL-C-55116\)](#) > [Item # AP-165](#)



[larger image](#)

Item # AP-165, Audio Plugs (MIL-C-55116)

Modled strain relief, solder cup terminals.

Specifications

Number of Contacts	5
Application	Ruggedized Commercial / Military
Overall Diameter	.828 in
Overall Length	1.859 in
Standard	MIL-C-55116
Alternate P/N	M55116/7 U-182 Type
Connector Style	Plug
Contact Types	Solder
Strain Relief	Molded
Shell Material	Stainless Steel, 303, Passivated
Mating	Bayonet Coupling
Mating Cycles	3000
Temperature	-55 to 85 °C
Insert Material	Thermoset Plastic
Contact Material	Gold-plated Brass / Silver-plated BeCu (Springs)
Current Rating	0.5 A
Voltage Rating Maximum	60 V
Contact Depression	1.25-1.75 lbs per contact
Contact Resistance Maximum	.050 Ω
Insulation Resistance	1000 megaohms min, except for connectors unmated after immersion test shall not be less than 100 megaohms
Dielectric Withstanding Voltage; Sea Level (RMV)	500 V
Water Immersion	6 feet of water up to 48 hours (mated and unmated)

Amphenol Nexus Technologies, Incorporated
 50 Sunnyside Ave.
 Stamford, CT 06902
Phone: 203-327-7300 • **Fax:** 203-324-7623
Email: salesinfo@nexus.com • **Website:** www.nexus.com