

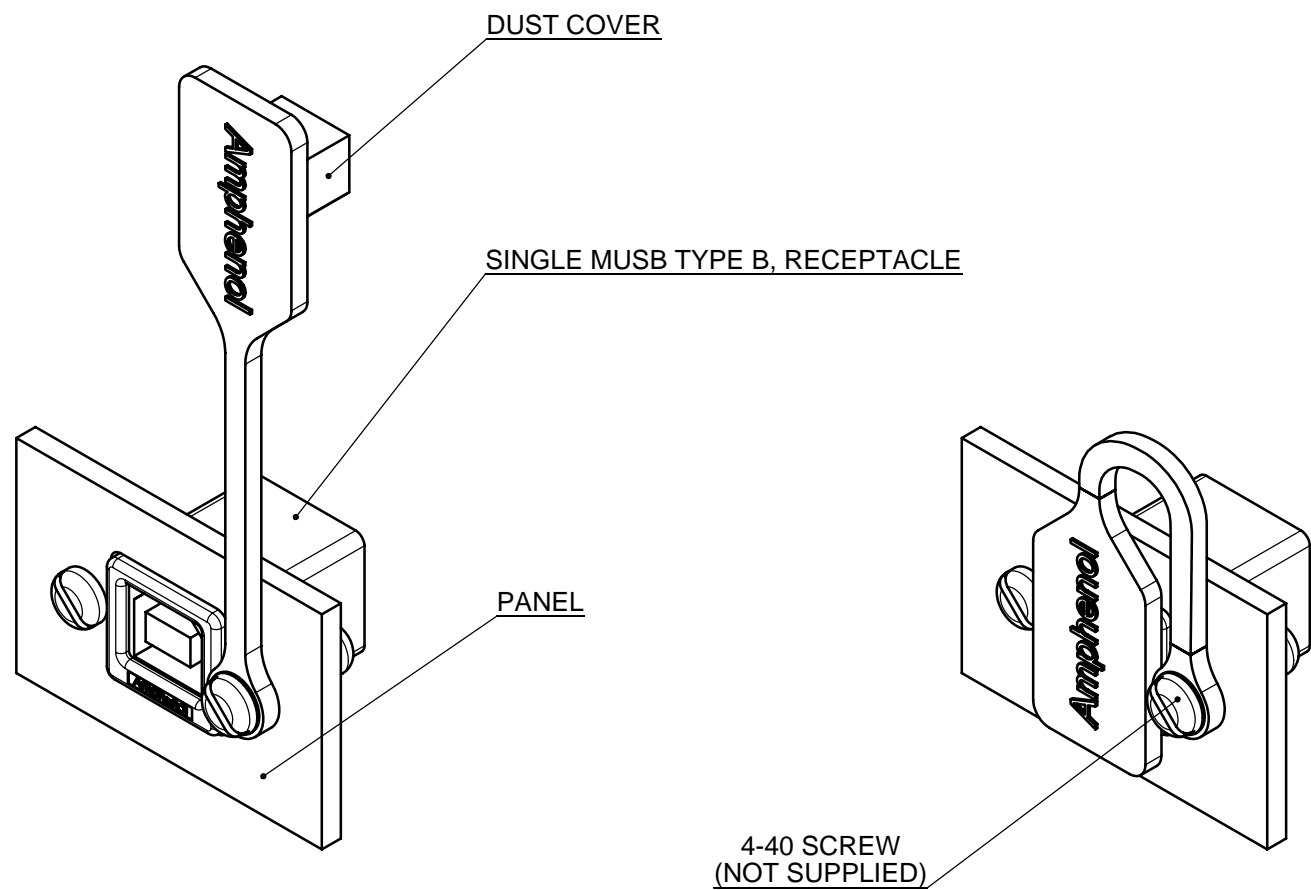
NOTES:

- MATERIAL:
 - DUST COVER - SILICONE RUBBER, COLOR - GREY.
 - BUSHING - BRASS, NICKEL PLATED.
- OPERATING TEMPERATURE: -40°C TO +105°C.
- PART IS ROHS COMPLIANT PER EU DIRECTIVE 2002/95/EC AND AMENDMENTS.
- PART NUMBER FOR ORDER: MUSB-2D11-004-BP.



UNLESS OTHERWISE SPECIFIED DIMENSIONS ARE IN MILLIMETER TOLERANCES ARE:		APPROVALS	DATE	Amphenol Canada Corp.	
		DRAWN S.SEMENOV	MAY04/06		
DECIMALS .XX ±.10 .X ±.25	ANGLES ± 1°	DESIGNED S.SEMENOV	MAY04/06	TITLE DUST COVER FOR MUSB TYPE B CONNECTOR	
MATERIAL AND FINISH		CHECKED			
REF.		QA APP'D		SIZE C	DWG. NO. P-MUSB-2D11-004
CODE IDENT. NO.		IE APP'D		SCALE 1:0.333333	PROJECT PROJECT
		DWG APP'D K.BOUTROS	MAY04/06	SHEET 1 OF 2	

REV - DESCRIPT - DATE - APPRVD



SINGLE MUSB TYPE B WITH DUST COVER



UNLESS OTHERWISE SPECIFIED DIMENSIONS ARE IN MILLIMETER TOLERANCES ARE:		APPROVALS	DATE	Amphenol Canada Corp.	
		DRAWN S.SEMENOV	MAY04/06		
DECIMALS .XX ± .10 .X ± .25		DESIGNED S.SEMENOV	MAY04/06	TITLE DUST COVER FOR MUSB TYPE B CONNECTOR	
ANGLES ± 1°		CHECKED			
MATERIAL AND FINISH		QA APP'D		SIZE C	DWG. NO. P-MUSB-2D11-004
REF.		IE APP'D		SCALE 1:0.333333	PROJECT PROJECT
CODE IDENT. NO.		DWG APP'D K.BOUTROS	MAY04/06	SHEET 2 OF 2	REV. 1

DO NOT SCALE DRAWING
THIS DOCUMENT CONTAINS PROPRIETARY INFORMATION AND SUCH INFORMATION MAY NOT BE DISCLOSED TO OTHERS FOR ANY PURPOSE OR USED FOR MANUFACTURING PURPOSES WITHOUT PERMISSION FROM AMPHENOL CANADA CORP.