

### TECHNICAL DATA

#### '' D '' SUBMINIATURE CONNECTORS

**SHELL** Steel .  
finish : tinned

**BODY** Glass filled thermoplastic polyamide  
Flame retardant to UL 94 V-0 .  
( resist to short terme temperature 260°C )  
Colour : black

**BRACKETS** Steel, Tinned

**ELECTRICAL** Voltage rating 300 V Rms to 50Hz .  
Nominal current 40 A (size 8)  
Withstanding voltage >1000 V Rms to 50 Hz  
Contact resistance <5m Ohms .  
Insulator resistance >5000 M Ohms.

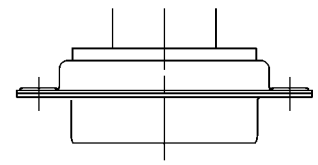
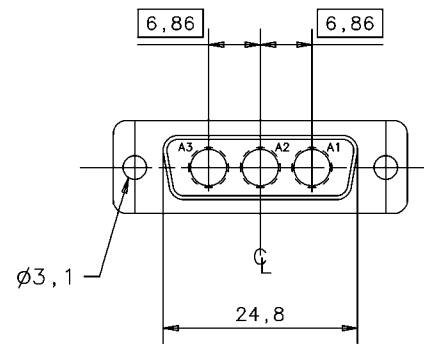
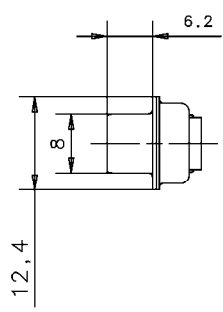
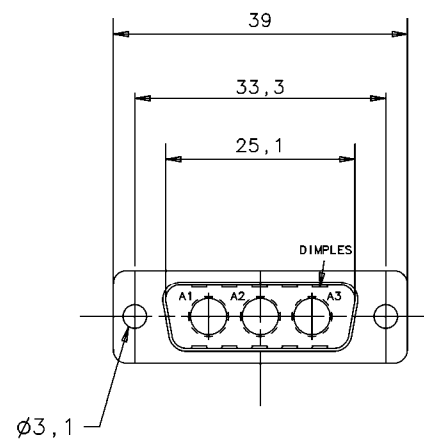
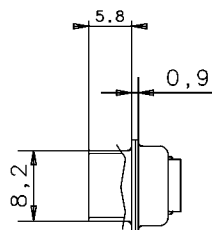
**CLIMATIC** Temperature range -55°C + 125°C .  
Damp heart 56 days 40°C - 95 % RH .  
Other climatic specifications in accordance  
with NF C 93-425, sheet HE507

**MECHANICAL** Insertion force per contact 1,2N < F < 2,5 N (size 20)  
Extraction force per contact 0,4 N mini (size 20)  
Mating and unmating force size A 80N maxi 4,5N mini

**MARKING** Amphenol - ... (serie number)  
Commercial reference  
Manufacturing date

L 717TW A 3W3 P

L = RoHS	Options:
77TW Tinned Shell 717TW Tinned shell with dimples Monobloc dielectric	
Shell size : A	
Mounting type	Configuration : 3 cavities size 8
	Contact type : P = male : S = female



				CLIENT		Amphenol Socapex	
				N° SERIE		Usine de Dole	
				Sub-D			
A	<input checked="" type="checkbox"/>	CREATION PLAN	Vallois	13/12	DOSSIER notice	PLAN NOTICE	
IND.		MODIFICATIONS	EXEC.	DATE	Approb		
N°				REFERENCE COMMERCIALE :			
DATE DU TIRAGE				L717TW A3W3P			