

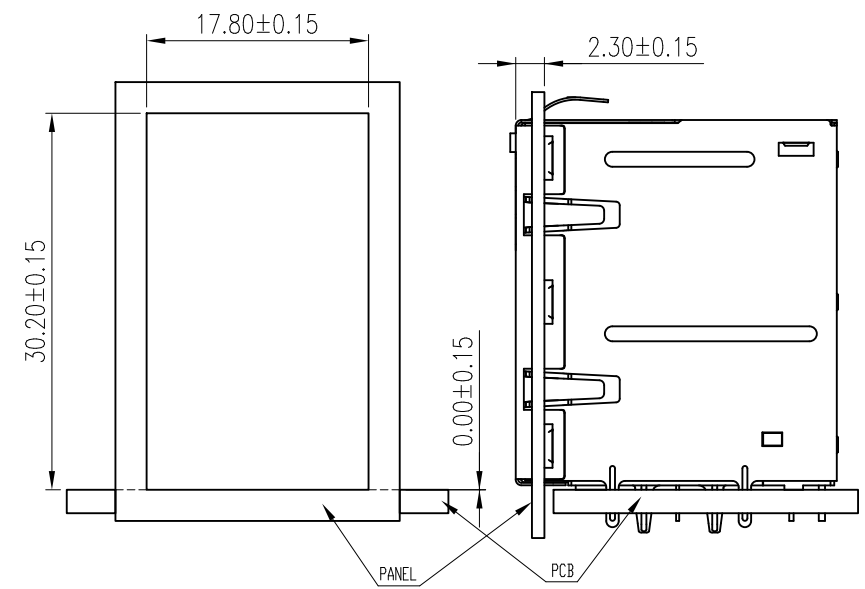
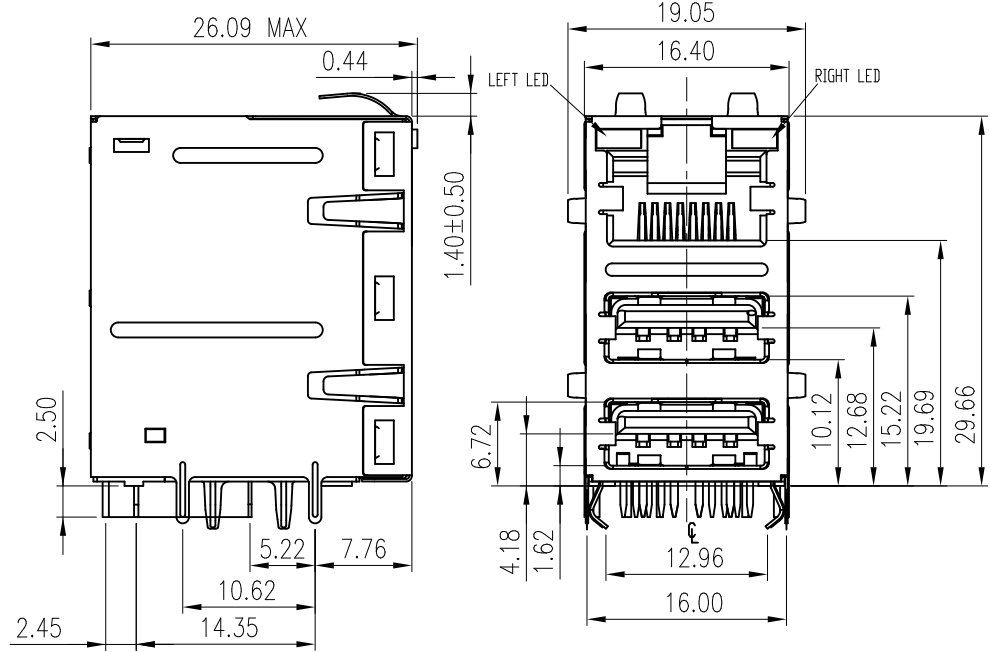
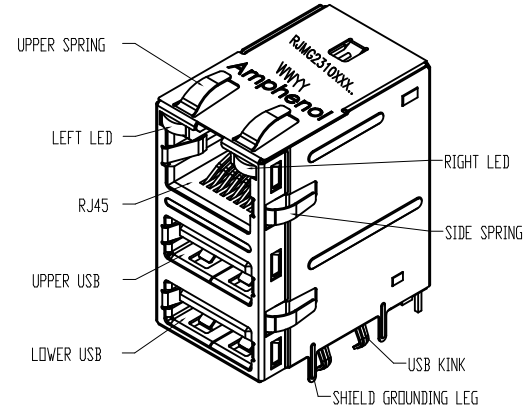
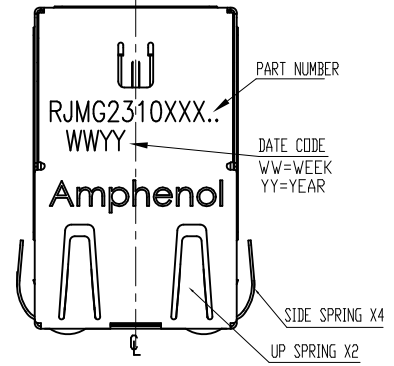


This document is the property of Amphenol Corporation and is delivered on the express condition that it is not to be disclosed, reproduced or used, in whole or in part, for manufacture or sale by anyone other than Amphenol Corporation without its prior consent, and that no right is granted to disclose or to use any information in this document.

Marking on this product doesn't contain environmental hazardous materials per Material Specification on SS-0259 for Sony GP compliant or per directive 2011/65/EU for RoHS compliant.

CUSTOMER DRAWING

REVISIONS				
SYM	ECN No.	DESCRIPTION	DATE	APPROVED
A		NEW PROPOSAL DRAWING	04/10/2008	Greg.L
BX1		ADD THE PANEL DIMENSION	06/19/2014	Roger Tsai



TOLERANCE		APPROVALS		DATE	TITLE		Amphenol® Amphenol Corporation Amphenol Taiwan Corporation		
X.		DRAWN	Jophy Li	06/19/2014	RJMag 1000 Base-T				
X.X	±0.35	CHECKED	Vivian Wen	06/19/2014	RJ Over Dual USB		PART No. RJMG2310228A0ER		
X.XX	±0.25	APPROVED	Roger Tsai	06/19/2014		UNIT	mm	SIZE	A3
X.XXX	±0.15	DWG TYPE	CUST DWG	PROJECT CODE		RJMG	SCALE	NA	SHEET
ANGULAR	±1°	UNLESS OTHERWISE SPECIFIED		DWG No. RJMG2310228A0ER		REV.		BX1	

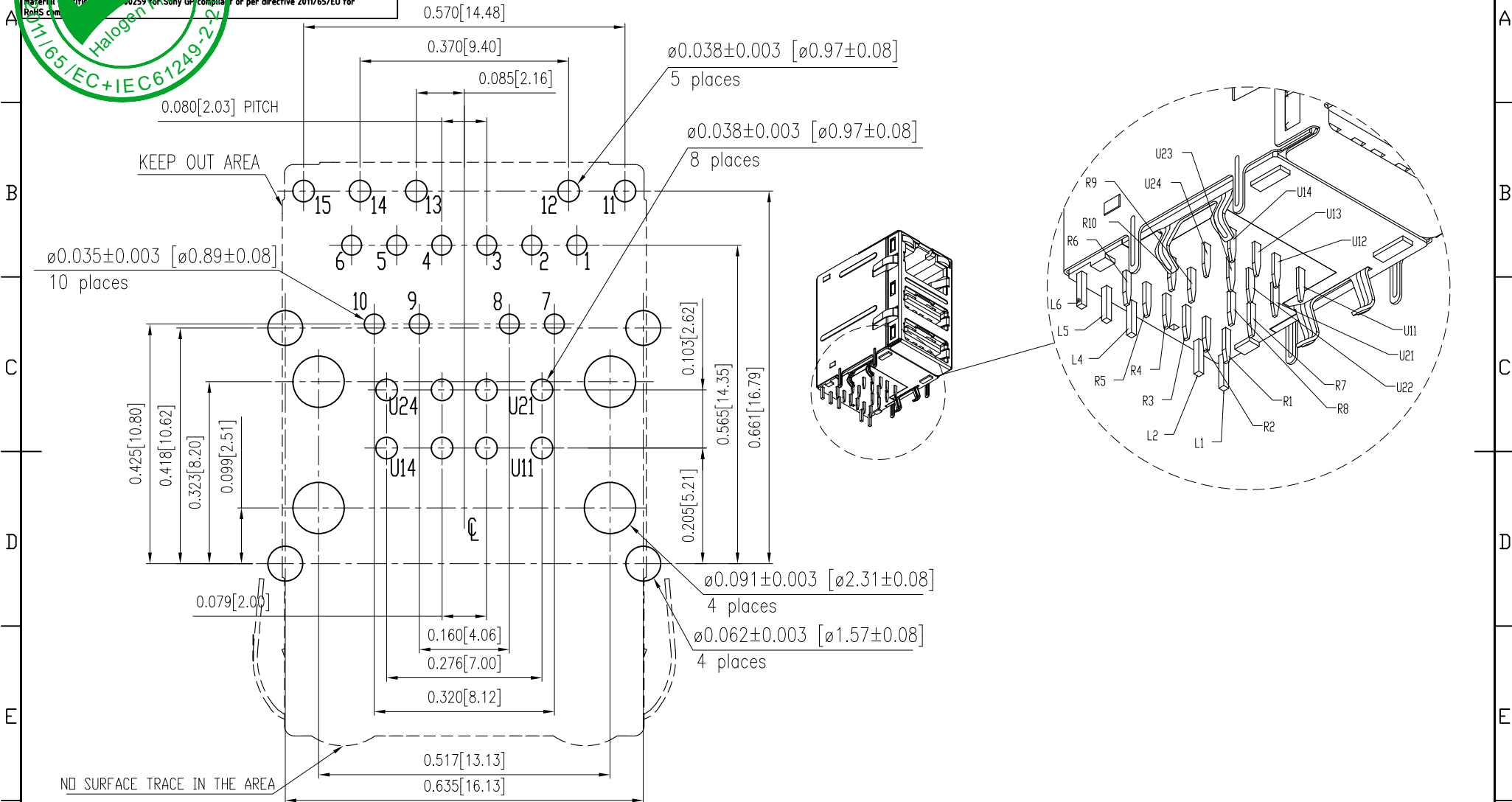
This document is the property of Amphenol Corporation and is delivered under the express condition that it is not to be disclosed, reproduced or used, in whole or in part, for manufacture or sale by anyone other than Amphenol Corporation without its prior consent, and that no right is granted to disclose or to use any information in this document.

The marking on this product does not contain environmental hazardous materials per Material Identification Code 00259 for Sony GP compliance or per directive 2011/65/EU for RoHS compliance.



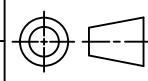
CUSTOMER DRAWING

REVISIONS				
SYM	ECN No.	DESCRIPTION	DATE	APPROVED
A		NEW PROPOSAL DRAWING	04/10/2008	Greg.L
BX1		ADD THE PANEL DIMENSION	06/19/2014	Roger Tsai



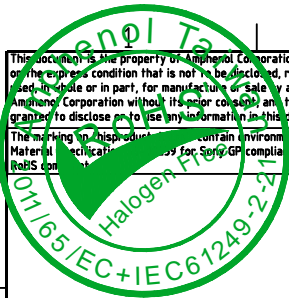
TOLERANCE	APPROVALS	DATE	TITLE			
X. ±0.35	DRAWN Jophy Li	06/19/2014	RJmag 1000 Base-T			
X.X ±0.25	CHECKED Vivian Wen	06/19/2014	RJ Over Dual USB			
X.XXX ±0.15	APPROVED Roger Tsai	06/19/2014	PART No. RJMG2310228A0ER			
ANGULAR ±1'	DWG TYPE CUST DWG	PROJECT CODE RJMG	UNIT mm	SIZE A3	SHEET 2 OF 4	
UNLESS OTHERWISE SPECIFIED			SCALE NA		DWG No. RJMG2310228A0ER	REV. BX1

Amphenol®
Amphenol Corporation
Amphenol Taiwan Corporation



This document is the property of Amphenol Corporation and is delivered on the express condition that it is not to be disclosed, reproduced or used in whole or in part, for manufacture or sale by anyone other than Amphenol Corporation without its prior consent and that no right is granted to disclose or use any information in this document.

The marking on this product may contain environmental hazardous materials per Material Technical Specification for SMD components or per directive 2011/65/EU for RoHS compliance.



CUSTOMER DRAWING

Compliant with IEEE 802.3ab Standard

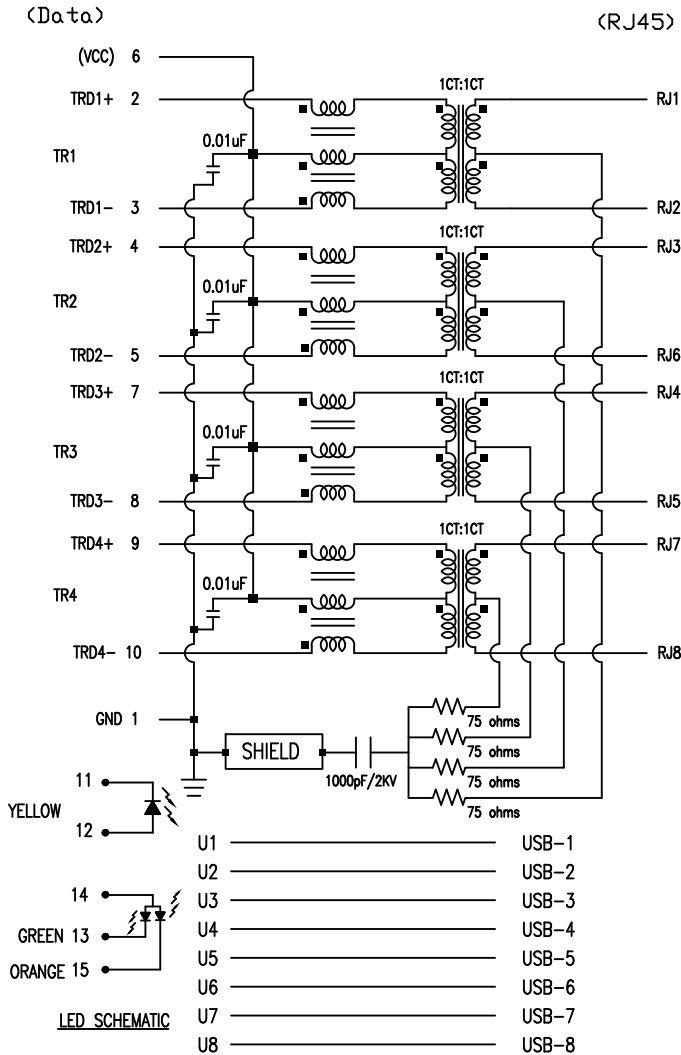
REVISIONS				
SYM	ECN No.	DESCRIPTION	DATE	APPROVED
A		NEW PROPOSAL DRAWING	04/10/2008	Greg.L
BX1		ADD THE PANEL DIMENSION	06/19/2014	Roger Tsai

CONNECTOR PERFORMANCE ELECTRICAL SPECIFICATION(@25° C)

PARAMETER	LIMITS (MAX. OR MIN.)	FREQUENCY RANGE/ TEST CONDITIONS
INSERTION LOSS	-1.2dB MAX.	0.1-125 MHz
RETURN LOSS	-16dB MIN. -10+20 log(f/80MHz)dB MIN.	0.5-40 MHz 40-100 MHz
CM-CM REJECTION	-30dB MIN.	100KHz-100MHz
CM-DM REJECTION	-35dB MIN.	100KHz-100MHz
CROSSTALK	-35dB MIN.	100KHz-100MHz
HIPOT (Withstanding)	1.5kVrms/60Hz or 2.25VDC MIN.	60S
ISOLATION Resistance	1000M ohms MIN.	500VDC 60S
OCL	350uH MIN. From 0~70 degree	100KHz 100mV 8mA
TURN RATIO	1:1±5%	

LED PERFORMANCE:

	Activity	Link	
		Green (10Mbps)	Orange (100Mbps)
Display Color	Yellow	Green	Orange
Wavelength	590nm	565nm	605nm
Forward Current	30mA	30mA	30mA
Reverse Current	10uA	10uA	10uA
Forward Volt.Max	2.6VDC	2.6VDC	2.6VDC



TOLERANCE	APPROVALS	DATE	TITLE		Amphenol® Amphenol Corporation Amphenol Taiwan Corporation			
X. ±0.35 X.X ±0.25 X.XX ±0.15	DRAWN Jophy Li CHECKED Vivian Wen	06/19/2014	RJmag 1000 Base-T RJ Over Dual USB		PART No. RJMG2310228A0ER			
ANGULAR ±1'	APPROVED Roger Tsai	06/19/2014	UNLESS OTHERWISE SPECIFIED					
DWG TYPE CUST DWG		PROJECT CODE RJMG	UNIT mm SCALE NA		SIZE A3	SHEET 3 OF 4	DWG No. RJMG2310228A0ER	REV. BX1

This document is the property of Amphenol Corporation and is delivered on the express condition that it is not to be disclosed, reproduced or used, in whole or in part, for manufacture or sale by anyone other than Amphenol Corporation without its prior consent, and that no right is granted to disclose or to use any information in this document.

The marking on this product doesn't contain environmental hazardous materials per Material Specification SS-00259 for Sony GP compliant or per directive 2011/65/EU for RoHS compliant.

CUSTOMER DRAWING

REVISIONS				
SYM	ECN No.	DESCRIPTION	DATE	APPROVED
A		NEW PROPOSAL DRAWING	04/10/2008	Greg.L
BX1		ADD THE PANEL DIMENSION	06/19/2014	Roger Tsai

MATERIALS:

HOUSING DIELECTRIC MATERIAL:

POLYMER TYPE: HIGH TEMPERATURE GLASS-REINFORCED THERMOPLASTIC,
 COLOR: BLACK
 UL FLAMMABILITY RATING : UL 94V-0

CONTACTS (RJ MAG):

BASE METAL ALLOY: PHOSPHOR BRONZE
 PLATING: 30u 'Au Min OVER 50u 'Ni Min UNDERPLATING
 100u 'Tin Min OVER 50u ' Ni MIN ON TAILS.

SHIELD:

STAINLESS STEEL , SUS304-1/2H. T=0.2MM , NO PLATING

MECHANICAL FEATURES:

SOLDERABILITY: MIL-STD-202,METHOD 208.

MATING/UNMATING FORCE:

USB PORT :

COMPLY WITH USB2.0 FOR ALL ELECTRICAL AND MECHANICAL CHARACTERISTICS
 INSERTION FORCE 3.5Kg MAX, PER USB2.0 SPEC
 WITHDRAWAL FORCE 1.0Kg MIN , PER USB2.0 SPEC
 DURABILITY: 5000 CYCLES MIN

RJ PORT :

MATING: 2.0Kg MAX , PER EIA-364-13B
 UNMATING FORCE: 2.0Kg MAX , PER EIA-364-13B
 PACKAGING: 40PCS/PLASTIC TRAY,4TRAYS/BOX
 COMPLY WITH FCC PART 68 SUBPART F.
 DURABILITY: 5000 CYCLES MIN

Environmental

OPERATING TEMPERATURE:-40°C TO +85°C.
 STORAGE TEMPERATURE:-40°C TO +100°C.
 WAVE SOLDERING TEMPERATURE: 260°C FOR 10 SECONDS MAX
 ALTITUDE OPERATING RANGE: SEA LEVEL TO 3000m
 HUMIDITY: NO DAMAGE OR CHANGE THAT AFFECTS THE FUNCTION OR LOOKS OF MATED CONNECTORS
 THERMAL SHOCK: SUBJECT MATED CONNECTORS TO 10 CYCLES BETWEEN -55°C AND 85°C,EVERY STEP TEMPERATURE 0.5h MIN
 MECHANICAL SHOCK: THREE SHOCKS IN EACH DIRECTION SHALL BE APPLIED ALONG THREE MUTUALLY PERPENDICULAR AXES OF THE TEST SPECIMEN (18 SHOCKS)

REMARKED:

RJMG23102 - 2- 8 A- 0 ER

R: Rohs Compliant;

plating and packaging

E: Gold 30u Inches, Stainless steel shield, Tray

0: Standard;

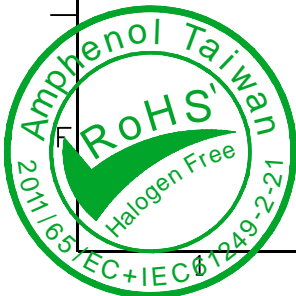
A: 4 X 75R , 1000pF , 8 cores, EMI ESD IEEE Plus

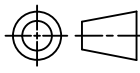
LED1 (RIGHT SIDE)

2- Yellow

LED2 (LEFT SIDE)

8: Bi-color Green/Orange(3 leds)



TOLERANCE	APPROVALS	DATE	TITLE		Amphenol® Amphenol Corporation Amphenol Taiwan Corporation			
X. X.X ±0.35 X.XX ±0.25 X.XXX ±0.15	DRAWN Jophy Li	06/19/2014	RJmag 1000 Base-T		PART No. RJMG2310228A0ER			
	CHECKED Vivian Wen	06/19/2014	RJ Over Dual USB					
ANGULAR ±1'	APPROVED Roger Tsai	06/19/2014			UNIT mm	SIZE A3	REV.	
UNLESS OTHERWISE SPECIFIED	DWG TYPE CUST DWG	PROJECT CODE RJMG	SCALE NA	SHEET 4 OF 4	DWG No. RJMG2310228A0ER	REV. BX1		