

Enclosed Disconnect switches



Enclosed disconnect switches

16A – 3150A Non-fusible

30A – 800A Fusible



SafeLine enclosed disconnect switches are designed to meet customer requirements in terms of safety, ease of installation, space savings and operational convenience. They are available in a wide range of amperage ratings, are UL approved and NEMA rated to satisfy rugged industrial environments.

**Disconnect
switches**
Non-fusible
Enclosed

eOT UL508 Enclosed switches

The eOT series of enclosed manual motor controllers are rotary operated, 3 pole, 600V Hp rated switches, housed in thermoplastic/polycarbonate enclosures suitable for wet and corrosive environments.



EOT16U3P3-S



EOT16U3P4-P

NEMA 3R/12

Handle type	Handle color	Amp rating	Auxiliary contacts	Catalog number	List price
Selector	Black	16	--	EOT16U3P3-S	\$ 250
Selector	Black	40	--	EOT32U3P3-S	300
Selector	Black	60	--	EOT45U3P3-S	325
Pistol	Black	80	--	EOT63U3P3-P	355
Selector	Black	16	1 NO	EOT16U3P3-1S	305
Selector	Black	40	1 NO	EOT32U3P3-1S	370
Selector	Black	60	1 NO	EOT45U3P3-1S	405
Pistol	Black	80	1 NO	EOT63U3P3-1P	435
Selector	Red/Yellow	16	--	EOT16U3P3-S1	250
Selector	Red/Yellow	40	--	EOT32U3P3-S1	300
Selector	Red/Yellow	60	--	EOT45U3P3-S1	325
Pistol	Red/Yellow	80	--	EOT63U3P3-P1	385
Selector	Red/Yellow	16	1 NO	EOT16U3P3-1S1	305
Selector	Red/Yellow	40	1 NO	EOT32U3P3-1S1	370
Selector	Red/Yellow	60	1 NO	EOT45U3P3-1S1	405
Pistol	Red/Yellow	80	1 NO	EOT63U3P3-1P1	435

NEMA 4/4X

Pistol	Black	16	--	EOT16U3P4-P	\$ 270
Pistol	Black	40	--	EOT32U3P4-P	325
Pistol	Black	60	--	EOT45U3P4-P	365
Pistol	Black	80	--	EOT63U3P4-P	385
Pistol	Black	16	1 NO	EOT16U3P4-1P	335
Pistol	Black	40	1 NO	EOT32U3P4-1P	400
Pistol	Black	60	1 NO	EOT45U3P4-1P	445
Pistol	Black	80	1 NO	EOT63U3P4-1P	475
Pistol	Red/Yellow	16	--	EOT16U3P4-P1	270
Pistol	Red/Yellow	40	--	EOT32U3P4-P1	325
Pistol	Red/Yellow	60	--	EOT45U3P4-P1	365
Pistol	Red/Yellow	80	--	EOT63U3P4-P1	385
Pistol	Red/Yellow	16	1 NO	EOT16U3P4-1P1	335
Pistol	Red/Yellow	40	1 NO	EOT32U3P4-1P1	400
Pistol	Red/Yellow	60	1 NO	EOT45U3P4-1P1	445
Pistol	Red/Yellow	80	1 NO	EOT63U3P4-1P1	475

Accessories for eOT16 – eOT63

Description	For use on	AC thermal amp rating	AC rated voltage	Catalog number	List price
Auxiliary contacts ②					
NO, mounts on right side of the switch only	eOT16 - 63	10	600	OA1G10	\$ 20
NC, mounts on left side of the switch only		10	600	OA1G01	20
4th pole ③					
4th pole	eOT16 & eOT32	40	600	OTPS40FPN1	36
4th pole, late-break / early-make function	eOT32	40	600	OTPL40FP	36
4th pole	eOT45 & eOT63	80	600	OTPS80FP	44
4th pole, late-break / early-make function	eOT63	80	600	OTPL80FP	44

① Due to torque requirements, the eOT63 is equipped with a pistol handle for both 3X/12 & 4/4X versions.

② Maximum number of auxiliary contacts: 2NO + 1NC.

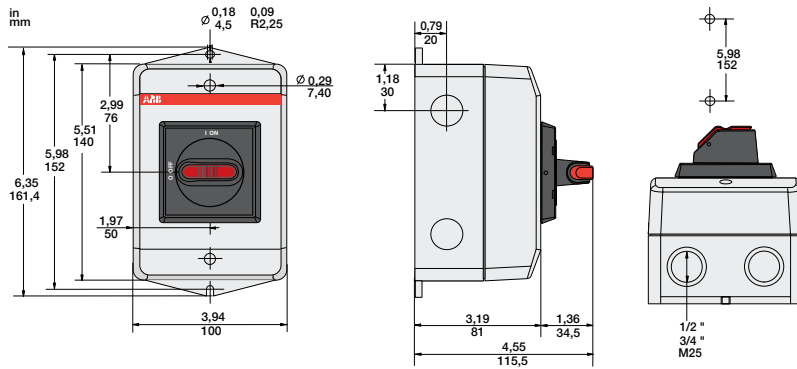
③ Only one additional pole per switch.

eOT Enclosed switches

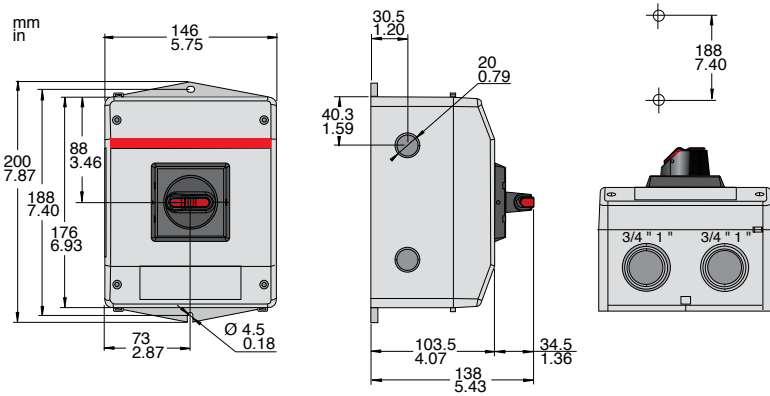
Approximate dimensions
eOT16_ - eOT45U

Disconnect
switches
Non-fusible
Enclosed

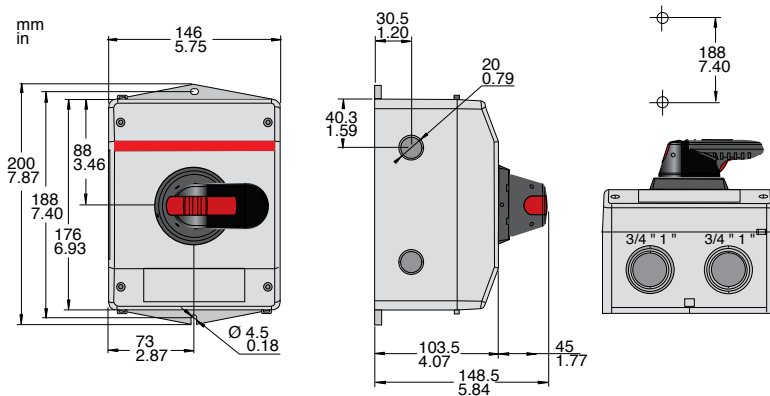
eOT16_, eOT32_ (enclosure size 1)



eOT45U_ (enclosure size 2 with selector handle)



eOT45U_ (enclosure size 2 with pistol grip handle)



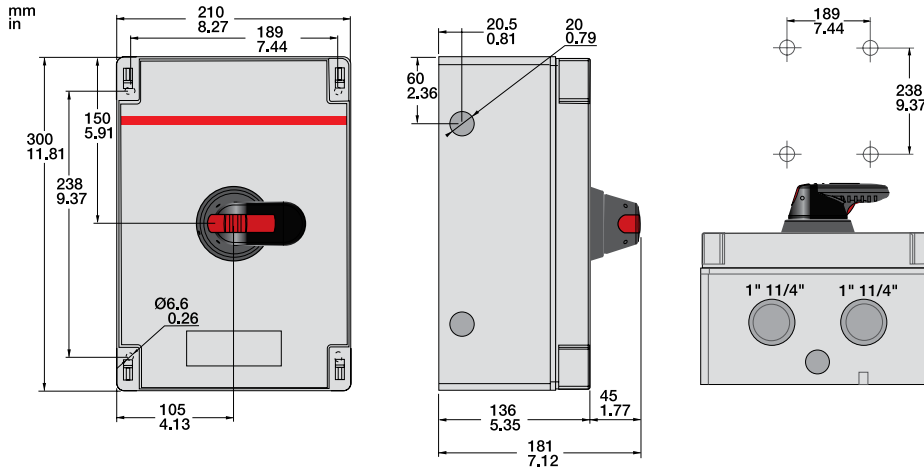
Disconnect
switches
Non-fusible
Enclosed

eOT Enclosed manual motor controllers

Approximate dimensions

eOT63_

eOT63_ (enclosure size 3 with pistol grip handle)



General information

Non-fusible, fusible & lockable

Disconnect
switches
Non-fusible
Enclosed

Non-Fusible

UL Listed to UL 508 and UL 98.
CSA approved
IEC rated
CE marked

Snap on accessories include additional poles, auxiliary contacts, etc.

Enclosures available in plastic, metal, or stainless steel in NEMA 1, 3R, 12, 4X, 7 & 9 environmental categories



Modern appearance

Quick make, quick brake mechanism

Heavy duty disconnect, 600VAC

Extremely compact size

Finger-proof construction. No hazardous exposed parts

3/4/6/8 pole constructions; transfer switches and by-pass switches available

Fusible

UL Listed to UL 98 standards.
CSA approved
IEC rated
CE marked

Snap on accessories include fuse monitors, auxiliary contacts, etc.

Enclosures available in plastic, metal, or stainless steel in NEMA 1, 3R, 12, 4X, 7 & 9 environmental categories

Fuse carriers available for US standards, BS, DIN, NFC standard and for various high speed fuse patterns



Modern appearance

Quick make, quick brake mechanism

Heavy duty disconnect, 600VAC, 200kA, I_{SC}

Extreme compact size as fuse carriers are decked above contacts

Double contacts enabling feed from any direction and preventing back feed

Finger-proof construction. No hazardous exposed parts

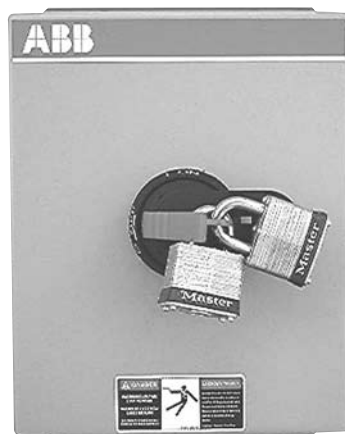
3/4/6/8 pole constructions; transfer switches and by-pass switches available

Lockable

Clear position indications:
I-ON
O-OFF

Door interlocked when handle padlocked to OFF position

Handle padlockable with up to three padlocks



Door interlocked when handle is in ON position. Door interlock can be defeated by authorized personnel.

Pilot devices can be added

**Disconnect
switches**
Non-fusible
Enclosed

General information

Non-fusible, 16A - 3150A

Switch ratings, 16 – 3150 Amps, 600V

UL General purpose amp rating	Maximum horsepower rating							Wire size for terminal lugs	For wire type	Approval
	Single phase			Three phase						
	120V	200V	240V	200V – 208V	240V	480V	600V			
UL 508 ↑ 16 25 40	1	2	2	3	5	10	10	#18 – 8	Cu	CSA, UL
	1.5	3	3	7.5	7.5	15	20	#18 – 8	Cu	CSA, UL
	2	5	5	10	10	20	25	#18 – 8	Cu	CSA, UL
UL 98 ↑ 60 80 30 60 100 125 200 400 600 800 1200 1600 2000 3150 ① ↓	2	5	5	15	15	30	30	#14 – 1	Cu	CSA, UL
	2	5	5	20	20	40	40	#14 – 1	Cu	CSA, UL
	2	5	5	10	10	20	30	#14 – 4	Cu	CSA, UL
	3	7.5	7.5	20	20	40	40	#14 – 4	Cu	CSA, UL
	5	15	15	25	30	50	50	#8 – 1/0	Cu	CSA, UL
	7.5	20	20	30	30	75	100	#8 – 1/0	Cu	CSA, UL
	—	—	—	60	75	150	200	#6 – 300 kcmil	Cu	CSA, UL
	—	—	—	100	125	250	350	#2 – 600 kcmil	Cu	CSA, UL
	—	—	—	150	200	400	500	(2) #2 – 600 kcmil	Cu	CSA, UL
	—	—	—	200	250	500	600	(2) #2 – 600 kcmil	Cu/Al	CSA, UL
	—	—	—	—	—	—	—	(4) #2 – 600 kcmil	Cu/Al	CSA, UL
	—	—	—	—	—	—	—	(4) #2 – 600 kcmil	Cu/Al	CSA, UL
—	—	—	—	—	—	—	(8) #2 – 600 kcmil	Cu/Al	CSA, UL	
—	—	—	—	—	—	—	(8) #2 – 600 kcmil	Cu/Al	IEC	

Handle ratings, 16 – 3150 Amps, 600V

Amperage range	Style type	NEMA	Color	Marking	Defeatable	Padlockable	Catalog number suffix	Catalog number
16 – 100	Selector	1,3R,12	Black	O/I & OFF/ON	Yes	Yes	BJ	OHBS2AJ
	Selector	1,3R,12	Red/Yel				YJ	OHYS2AJ
	Pistol	1,3R,12	Black				B6	OHBS65J6
	Pistol	1,3R,12	Red/Yel				Y6	OHYS65J6
	Pistol	1,3R,4,4X,12	Black				B6	OHBS65L6
	Pistol	1,3R,4,4X,12	Red/Yel				Y6	OHYS65L6
125 - 200	Pistol	1,3R,12	Black	O/I & OFF/ON	Yes	Yes	B6	OHB65J6
		1,3R,12	Red/Yel				Y6	OHY65J6
		1,3R,4,4X,12	Black				B8	OHB80L6
		1,3R,4,4X,12	Red/Yel				Y8	OHY80L6
400 – 3150	Pistol	1,3R,12	Black	O/I & OFF/ON	Yes	Yes	B4	OHB145J12
		1,3R,12	Red/Yel		Yes		Y4	OHY145J12
		1,3R,12	Black		Yes		B7	OHB175J12
		1,3R,12	Red/Yel		Yes		Y7	OHY175J12
		1,3R,4,4X,12	Black		Yes		B4	OHB145L12
		1,3R,4,4X,12	Red/Yel		Yes		Y4	OHY145L12
		1,3R,4,4X,12	Black		Yes		B7	OHB175L12
		1,3R,4,4X,12	Red/Yel		Yes		Y7	OHY175L12
		1,3R,4,4X,12	Metal		No		8	YASDA-8
16 – 200	Pistol	1,3R,12	Black	I/O/II	Yes	Yes	B8	OHB80J6E011
		1,3R,4,4X,12	Black				Y8	OHB80L6E011
400	Pistol	1,3R,12	Black	I/O/II	Yes	Yes	B4	OHB145J12E011
400 – 3150	Pistol	1,3R,12	Black	I/O/II	Yes	Yes	B7	OHB175J12E011
					Yes		B7	OHB175L12E011
					No		21	YASDA-21
					No		6	YASDA-6
					No		6	YASDA-6

① IEC rated only.

General information

Fusible, 30A – 800A

Disconnect
switches
Fusible
Enclosed

Switch ratings

UL general purpose amp rating	Maximum horsepower rating								Wire size for terminal lugs	For wire type	Approval ①
	Single phase				Three phase						
	120V	200V	240V	200V	208V	240V	480V	600V			
30	2	3	5	5	7.5	7.5	15	20	#18 – 8	Cu	CSA, UL
60	3	7.5	10	15	15	15	30	50	#14 – 4	Cu	CSA, UL
100	5	10	15	25	25	30	60	75	#14 – 2/0	Cu/Al	CSA, UL
200	—	—	—	50	50	60	125	150	#6 – 300 kcmil	Cu/Al	CSA, UL
400	—	—	—	100	125	125	250	350	#2 – 600 kcmil	Cu/Al	CSA, UL
600	—	—	—	150	150	200	400	500	(2) #2 – 600 kcmil	Cu/Al	CSA, UL
800	—	—	—	200	200	250	500	600	(2) #2 – 600 kcmil	Cu/Al	CSA, UL

Handle ratings

Amperage range	Style type	NEMA	Color	Marking	Defeatable	Padlockable	Catalog number suffix	Catalog number	
30	Selector	1,3R,12	Black	O/I & OFF/ON	Yes	Yes	BJ	OHBS2AJ	
	Selector	1,3R,12	Red/Yel				YJ	OHYS2AJ	
	Pistol	1,3R,12	Black				B6	OHBS65J6	
	Pistol	1,3R,12	Red/Yel				Y6	OHYS65J6	
	Pistol	1,3R,4,4X,12	Black				B6	OHBS65L6	
	Pistol	1,3R,4,4X,12	Red/Yel				Y6	OHYS65L6	
60 – 200	Pistol	1,3R,12	Black	O/I & OFF/ON	Yes	Yes	B6	OHBS65J6	
		1,3R,12	Red/Yel				Y6	OHYS65J6	
		1,3R,12	Black				B8	OHBS80J6	
		1,3R,12	Red/Yel				Y8	OHYS80J6	
		1,3R,4,4X,12	Black				B8	OHBS80L6	
		1,3R,4,4X,12	Red/Yel				Y8	OHYS80L6	
400 – 800	Pistol	1,3R,12	Black	O/I & OFF/ON	Yes	Yes	B4	OHBS145J12	
		1,3R,12	Red/Yel		Yes		Y4	OHYS145J12	
		1,3R,12	Black		Yes		B7	OHBS175J12	
		1,3R,12	Red/Yel		Yes		Y7	OHYS175J12	
		1,3R 4,4X,12	Black		Yes		B4	OHBS145L12	
		1,3R,4,4X,12	Red/Yel		Yes		Y4	OHYS145L12	
		1,3R 4,4X,12	Black		Yes		B7	OHBS175L12	
		1,3R,4,4X,12	Red/Yel		Yes		Y7	OHYS175L12	
		1,3R,4,4X,12	Metal		No		8	YASDA-8	
30	Pistol	1,3R,12	Black	I/O/II	Yes	Yes	B6	OHBS65J6E011	
		1,3R,4,4X,12						OHBS65L6E011	
60 – 200	Pistol	1,3R,12	Black	I/O/II	Yes	Yes	B8	OHBS80J6E011	
		1,3R,4,4X,12						OHBS80L6E011	
400 – 800	Pistol	1,3R,12	Black	I/O/II	Yes	Yes	B4	OHBS145J12E011	
	Pistol	1,3R,4,4X,12	Black		Yes			B4	OHBS145L12E011
	Pistol	1,3R,12	Black		Yes			B7	OHBS175J12E011
	Pistol	1,3R,4,4X,12	Black		Yes			B7	OHBS175L12E011
	Metallic	1,3R,4,4X,12	Metal		No			21	YASDA-21
	Metallic	1,3R,4,4X,12	Metal		No			6	YASDA-6

① Fusible switches are UL listed to the UL98 standard.

**Disconnect
switches**
Non-fusible
Enclosed

**3 pole
16A – 3150A**



NF32X-3PB6C



NF63X-3PB6A

**3 Pole, 600V, 16A – 80A
Selector handle**

UL general purpose amp rating		NEMA Enclosure type							
		1		3R		4		4X Stainless	
		Catalog number	List price	Catalog number	List price	Catalog number	List price	Catalog number	List price
UL 508		16	NF161-3PBJC	\$ 185	NF163-3PBJC	\$ 259	Not available with selector handle	Not available with selector handle	
		25	NF251-3PBJC	190	NF253-3PBJC	264			
		40	NF321-3PBJC	205	NF323-3PBJC	279			
		60	NF451-3PBJB	245	NF453-3PBJB	320			
		80	NF631-3PBJA	280	NF633-3PBJA	354			

**3 Pole, 600V, 16A – 3150A
Pistol handle**

UL general purpose amp rating		NEMA Enclosure type								
		1		3R		4		4X Stainless		
		Catalog number	List price	Catalog number	List price	Catalog number	List price	Catalog number	List price	
UL 508		16	NF161-3PB6C	\$ 235	NF163-3PB6C	\$ 309	NF164-3PB6A	\$ 475	NF16X-3PB6C ②	\$ 585
		25	NF251-3PB6C	240	NF253-3PB6C	314	NF254-3PB6A	480	NF25X-3PB6C ②	590
		40	NF321-3PB6C	255	NF323-3PB6C	329	NF324-3PB6A	495	NF32X-3PB6C ②	605
		60	NF451-3PB6B	295	NF453-3PB6B	370	NF454-3PB6B	525	NF45X-3PB6B	635
		80	NF631-3PB6A	330	NF633-3PB6A	404	NF634-3PB6A	550	NF63X-3PB6A	660
18		30	NF301-3PB6C	510	NF303-3PB6C	780	NF304-3PB6C	1,090	NF30X-3PB6C	1,200
		60	NF601-3PB6C	560	NF603-3PB6C	830	NF604-3PB6C	1,140	NF60X-3PB6C	1,250
		100	NF1001-3PB6B	610	NF1003-3PB6B	880	NF1004-3PB6B	1,190	NF100X-3PB6B	1,300
		125	NF1251-3PB6A	1,100	NF1253-3PB6A	1,400	NF1254-3PB8A	2,800	NF125X-3PB8A	3,500
		200	NF2001-3PB8B	1,300	NF2003-3PB8B	1,650	NF2004-3PB8B	3,520	NF200X-3PB8B	4,400
		400	NF4001-3PB4B	2,600	NF4003-3PB4B	2,800	NF4004-3PB4B	6,400	NF400X-3PB4B	8,000
		600	NF6001-3PB7B	4,800	NF6003-3PB7B	5,000	NF6004-3PB7B	9,600	NF600X-3PB7B	12,000
		800	NF8001-3PB4A	8,000	NF8003-3PB4A	9,400	NF8004-3PB4A	15,200	NF800X-3PB4A	19,000
		1200	NF12001-3PB4A	10,000	NF12003-3PB4A	11,800	NF12004-3PB4A	18,000	NF1200X-3PB4A	22,500
		1600	NF16001-3P8A	19,000	NF16003-3P8A	20,800	NF16004-3P8A	30,400	NF1600X-3P8A	38,000
2000	NF20001-3P8A	23,000	NF20003-3P8A	25,000	NF20004-3P8A	35,200	NF2000X-3P8A	44,000		
3150 ①	NF31501-3P8A	28,000	NF31503-3P8A	30,000	NF31504-3P8A	39,200	NF3150X-3P8A	49,000		

NOTE: All enclosed switches are provided with a black handle; however, most handles can be substituted with a red and yellow handle if desired. Please substitute the handle suffix code (2nd and 3rd from last characters) with the red/yellow handle catalog number suffix from page 18.130. There is no additional price adder for changing to a red/yellow handle of equal ratings and style.

EXAMPLE: A red/yellow selector handle for an NF161-3PBJA can be substituted for the black selector handle by using the "YJ" suffix instead of the "BJ" suffix, new catalog #NF161-3PYJA.

① IEC rated only.
② New Washdown.

3 pole 16A – 3150A

Disconnect
switches
Non-fusible
Enclosed



NF25P-3PY6A

3 Pole, 600V, 16A – 80A Selector handle

UL general purpose amp rating		NEMA Enclosure type					
		12 Plastic		12		7 & 9	
		Catalog number	List price	Catalog number	List price	Catalog number	List price
UL 508	16	NF16P-3PBJA	\$ 295	NF162-3PBJC	\$ 259	—	—
	16, oversized	—	—	—	—	—	—
	25	NF25P-3PBJA	300	NF252-3PBJC	264	—	—
	25, oversized	—	—	—	—	—	—
	40	NF32P-3PBJA	315	NF322-3PBJC	279	—	—
	40, oversized	—	—	—	—	—	—
	60	NF45P-3PBJB	350	NF452-3PBJB	320	—	—
	80	NF63P-3PBJA	380	NF632-3PBJA	354	—	—

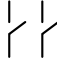
3 Pole, 600V, 16A – 3150A Pistol handle

UL general purpose amp rating		NEMA Enclosure type					
		4X Plastic		12		7 & 9	
		Catalog number	List price	Catalog number	List price	Catalog number	List price
UL 508	16	NF16P-3PB6A	\$ 345	NF162-3PB6C	\$ 309	NF167-3P	\$ 1,900
	25	NF25P-3PB6A	350	NF252-3PB6C	314	NF257-3P	1,925
	40	NF32P-3PB6A	365	NF322-3PB6C	329	NF327-3P	1,950
	60	NF45P-3PB6B	400	NF452-3PB6B	370	NF457-3P	3,600
	80	NF63P-3PB6A	430	NF632-3PB6A	400	NF637-3P	3,630
UL 98	30	NF30P-3PB6B	875	NF302-3PB6B	780	NF307-3P	4,150
	60	NF60P-3PB6B	925	NF602-3PB6C	560	NF607-3P	4,200
	100	NF100P-3PB6B	975	NF1002-3PB6B	880	NF1007-3P	4,250
	125	NF125P-3PB8A	3,000	NF1252-3PB6A	1,400	—	—
	200	NF200P-3PB8B	4,000	NF2002-3PB8B	1,600	—	—
	400	NF400P-3PB4B	6,000	NF4002-3PB4B	2,900	—	—
	600	NF600P-3PB7B	10,000	NF6002-3PB7B	5,100	—	—
	800	NF800P-3PB4A	16,000	NF8002-3PB4A	8,400	—	—
	1200	NF1200P-3PB4A	19,000	NF12002-3PB4A	10,400	—	—
	1600	—	—	NF16002-3P8A	19,400	—	—
	2000	—	—	NF20002-3P8A	23,400	—	—
	3150	—	—	NF31502-3P8A	28,400	—	—

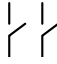
**Disconnect
switches**
Non-fusible
Enclosed

2 pole ① 125A – 3150A

2 Pole, 600V, 125A – 3150A

		NEMA Enclosure type								
		1		3R		4		4X Stainless		
UL general purpose amp rating		Catalog number	List price	Catalog number	List price	Catalog number	List price	Catalog number	List price	
UL 98		125	NF1251-2PB6A	\$ 825	NF1253-2PB6A	\$ 1,050	NF1254-2PB8A	\$ 2,100	NF125X-2PB8A	\$ 2,625
		200	NF2001-2PB8C	1,170	NF2003-2PB8C	1,485	NF2004-2PB8C	3,170	NF200X-2PB8C	3,960
		400	NF4001-2PB4C	2,340	NF4003-2PB4C	2,520	NF4004-2PB4C	5,750	NF400X-2PB4C	7,200
		600	NF6001-2PB7B	4,320	NF6003-2PB7B	4,500	NF6004-2PB7B	8,640	NF600X-2PB7B	10,800
		800	NF8001-2PB4A	7,200	NF8003-2PB4A	8,460	NF8004-2PB4A	13,680	NF800X-2PB4A	17,100
		1200	NF12001-2PB4A	9,000	NF12003-2PB4A	10,620	NF12004-2PB4A	16,200	NF1200X-2PB4A	20,250
		1600	NF16001-2P8A	17,100	NF16003-2P8A	18,720	NF16004-2P8A	27,360	NF1600X-2P8A	34,200
		2000	NF20001-2P8A	20,700	NF20003-2P8A	22,500	NF20004-2P8A	31,680	NF2000X-2P8A	39,600
		3150	NF31501-2P8A	25,200	NF31503-2P8A	27,000	NF31504-2P8A	35,280	NF3150X-2P8A	44,100

2 Pole, 600V, 125A – 3150A

		NEMA Enclosure type				
		4X Plastic		12		
UL general purpose amp rating		Catalog number	List price	Catalog number	List price	
UL 98		125	NF125P-2PB8A	\$ 2,250	NF1252-2PB6A	\$ 1,050
		200	NF200P-2PB8C	3,600	NF2002-2PB8C	1,440
		400	NF400P-2PB4C	5,400	NF4002-2PB4C	2,610
		600	NF600P-2PB7B	9,000	NF6002-2PB7B	4,590
		800	NF800P-2PB4A	14,400	NF8002-2PB4A	7,560
		1200	NF1200P-2PB4A	17,100	NF12002-2PB4A	9,360
		1600	—	—	NF16002-2P8A	17,460
		2000	—	—	NF20002-2P8A	21,060
		3150 ①	—	—	NF31502-2P8A	25,560

① 16A – 100A switches are not available in 2 pole versions; use 3 pole.

4 pole 16A – 3150A

Disconnect
switches
Non-fusible
Enclosed

4 Pole, 600V, 16A – 3150A

UL general purpose amp rating		NEMA Enclosure type								
		1		3R		4		4X Stainless		
		Catalog number	List price	Catalog number	List price	Catalog number	List price	Catalog number	List price	
UL508		16	NF161-4PB6C	\$ 295	NF163-4PB6C	\$ 369	NF164-4PB6A	\$ 530	NF16X-4PB6C	\$ 665
		25	NF251-4PB6C	300	NF253-4PB6C	374	NF254-4PB6A	NF	NF25X-4PB6C	670
		40	NF321-4PB6C	321	NF323-4PB6C	384	NF324-4PB6A	NF 545	NF32X-4PB6C	680
UL98		60	NF451-4PB6B	360	NF453-4PB6B	434	NF454-4PB6B	570	NF45X-4PB6B	700
		80	NF631-4PB6A	410	NF633-4PB6A	484	NF634-4PB6A	595	NF63X-4PB6A	740
		30	NF301-4PB6B	650	NF303-4PB6B	988	NF304-4PB6B	1,200	NF30X-4PB6B	1,525
		60	NF601-4PB6B	700	NF603-4PB6B	1,038	NF604-4PB6B	1,250	NF60X-4PB6B	1,575
		100	NF1001-4PB6B	750	NF1003-4PB6B	1,088	NF1004-4PB6B	1,300	NF100X-4PB6B	1,625
		125	NF1251-4PB6A	1,375	NF1253-4PB6A	1,675	NF1254-4PB6A	3,500	NF125X-4PB8A	4,375
		200	NF2001-4PB8B	1,625	NF2003-4PB8B	2,063	NF2004-4PB8B	4,400	NF200X-4PB8B	5,500
		400	NF4001-4PB4B	3,250	NF4003-4PB4B	3,500	NF4004-4PB4B	8,000	NF400X-4PB4B	10,000
		600	NF6001-4PB7B	6,000	NF6003-4PB7B	6,250	NF6004-4PB7B	12,000	NF600X-4PB7B	15,000
		800	NF8001-4PB4A	10,000	NF8003-4PB4A	11,750	NF8004-4PB4A	19,000	NF800X-4PB4A	23,750
		1200	NF12001-4PB4A	12,500	NF12003-4PB4A	14,750	NF12004-4PB4A	22,500	NF1200X-4PB4A	28,125
		1600	NF16001-4P8A	23,750	NF16003-4P8A	26,000	NF16004-4P8A	38,800	NF1600X-4P8A	47,500
		2000	NF20001-4P8A	28,750	NF20003-4P8A	31,250	NF20004-4P8A	44,000	NF2000X-4P8A	55,000
		3150 ①	NF31501-4P8A	35,000	NF31503-4P8A	37,500	NF31504-4P8A	49,000	NF3150X-4P8A	61,250

4 Pole, 600V, 16A – 3150A

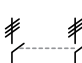

UL general purpose amp rating		NEMA Enclosure type						
		4X Plastic		12		7 & 9		
		Catalog number	List price	Catalog number	List price	Catalog number	List price	
UL508		16	NF16P-4PB6A	\$ 405	NF162-4PB6C	\$ 369	NF167-4P	\$ 2,025
		25	NF25P-4PB6A	410	NF252-4PB6C	374	NF257-4P	2,050
		40	NF32P-4PB6A	420	NF322-4PB6C	384	NF327-4P	2,075
UL98		60	NF45P-4PB6B	465	NF452-4PB6B	434	NF457-4P	3,700
		80	NF63P-4PB6A	510	NF632-4PB6A	484	NF637-4P	3,730
		30	NF30P-4PB6B	1,100	NF302-4PB6B	925	NF307-4P	4,300
		60	NF60P-4PB6B	1,150	NF602-4PB6B	975	NF607-4P	4,350
		100	NF100P-4PB6B	1,200	NF1002-4PB6B	1,025	NF1007-4P	4,400
		125	NF125P-4PB8A	3,750	NF1252-4PB6A	1,750	—	—
		200	NF200P-4PB8B	5,000	NF2002-4PB8B	2,000	—	—
		400	NF400P-4PB4B	7,500	NF4002-4PB4B	3,625	—	—
		600	NF600P-4PB7B	12,500	NF6002-4PB7B	6,375	—	—
		800	NF800P-4PB4A	20,000	NF8002-4PB4A	10,500	—	—
		1200	NF1200P-4PB4A	23,750	NF12002-4PB4A	13,000	—	—
		1600	—	—	NF16002-4P8A	24,250	—	—
		2000	—	—	NF20002-4P8A	29,240	—	—
		3150	—	—	NF31502-4P8A	35,500	—	—

① IEC rated only.

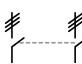
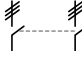
**Disconnect
switches
Non-fusible
Enclosed**

6 pole 16A – 1200A

6 Pole, 600V, 16A – 1200A

UL general purpose amp rating ①		NEMA Enclosure type							
		1		3R		4		4X Stainless	
		Catalog number	List price	Catalog number	List price	Catalog number	List price	Catalog number	List price
UL508 	16	NF161-6PB6C	\$ 580	NF163-6PB6C	\$ 728	NF164-6PB6A	\$ 1,080	NF16X-6PB6C	\$ 1,350
	25	NF251-6PB6C	590	NF253-6PB6C	738	NF254-6PB6A	1,090	NF25X-6PB6C	1,360
	40	NF321-6PB6C	610	NF323-6PB6C	758	NF324-6PB6A	1,110	NF32X-6PB6C	1,380
UL98 	60	NF451-6PB6B	690	NF453-6PB6B	838	NF454-6PB6B	1,140	NF45X-6PB6B	1,430
	80	NF631-6PB6A	770	NF633-6PB6A	918	NF634-6PB6A	1,185	NF63X-6PB6A	1,480
	30	NF301-6PB6B	1,230	NF303-6PB6B	1,770	NF304-6PB6B	2,110	NF30X-6PB6B	2,660
	60	NF601-6PB6C	850	NF603-6PB6B	1,820	NF604-6PB6B	2,160	NF60X-6PB6B	2,710
	100	NF1001-6PB6B	1,330	NF1003-6PB6B	1,870	NF1004-6PB6B	2,210	NF100X-6PB6B	2,760
	125	NF1251-6PB2A	2,200	NF1253-6PB2A	3,280	NF1254-6PB4A	5,600	NF125X-6PB4A	7,000
	200	NF2001-6PB4B	2,950	NF2003-6PB4B	3,650	NF2004-6PB4B	7,320	NF200X-6PB4B	9,150
	400	NF4001-6PB8B	5,860	NF4003-6PB8B	5,960	NF4004-6PB8B	13,090	NF400X-6P8B	16,360
	600	NF6001-6PB8B	9,960	NF6003-6PB8B	10,360	NF6004-6PB8B	19,490	NF600X-6P8B	16,360
	800	NF8001-6PB8A	16,360	NF8003-6PB4A	19,800	NF8004-6PB4A	30,690	NF800X-6P8A	38,360
1200	NF12001-6P8A	20,360	NF12003-6PB4A	23,960	NF12004-6P8A	36,290	NF1200X-6P8A	45,360	

6 Pole, 600V, 16A – 1200A

UL general purpose amp rating		NEMA Enclosure type							
		4X Plastic		12		7 & 9		IP65 Plastic	
		Catalog number	List price	Catalog number	List price	Catalog number	List price	Catalog number	List price
UL508 	16	NF16P-6PB6A	\$ 800	NF162-6PB6C	\$ 728	NF167-6P	\$ 3,750	NF16E-6PB6B	\$ 410
	25	NF25P-6PB6A	810	NF252-6PB6C	738	NF257-6P	3,775	NF25E-6PB6B	420
	40	NF32P-6PB6A	830	NF322-6PB6C	758	NF327-6P	3,800	NF32E-6PB6B	450
UL98 	60	NF45P-6PB6B	930	NF452-6PB6B	838	NF457-6P	4,275	NF45E-6PB6B	520
	80	NF63P-6PB6A	1,030	NF632-6PB6A	918	NF637-6P	4,325	NF63E-6PB6B	770
	30	NF30P-6PB6B	1,900	NF302-6PB6B	1,670	—	—	NF30E-6PB6B	1,230
	60	NF60P-6PB6B	1,950	NF602-6PB6B	1,720	—	—	NF60E-6PB6B	1,280
	100	NF100P-6PB6B	2,000	NF1002-6PB6B	1,770	—	—	NF100E-6PB6B	1,330
	125	NF125P-6PB4A	6,000	NF1252-6PB4A	2,800	—	—	—	—
	200	NF200P-6PB4B	8,350	NF2002-6PB4B	3,550	—	—	—	—
	400	NF400P-6P8B	12,360	NF4002-6P8B	6,160	—	—	—	—
	600	NF600P-6P8B	20,360	NF6002-6P8B	10,560	—	—	—	—
	800	NF800P-6P8A	32,360	NF8002-6P8A	17,800	—	—	—	—
1200	NF1200P-6P8A	38,360	NF12002-6P8A	21,800	—	—	—	—	

①  = Three poles

3 pole double throw 16A – 1200A

Disconnect
switches
Non-fusible
Enclosed

3 Pole, 600V, 16A – 1200A

		NEMA Enclosure type								
		1		3R		4		4X Stainless		
UL general purpose amp rating		Catalog number	List price	Catalog number	List price	Catalog number	List price	Catalog number	List price	
UL508		16	NF161-3TB8C	\$ 760	NF163-3TB8C	\$ 908	NF164-3TB8C	\$ 1,200	NF16X-3TB8C	\$ 1,850
		25	NF251-3TB8C	770	NF253-3TB8C	918	NF254-3TB8C	1,230	NF25X-3TB8C	1,880
		40	NF321-3TB8C	790	NF323-3TB8C	954	NF324-3TB8C	1,260	NF32X-3TB8C	1,950
UL98		60	NF451-3TB8B	870	NF453-3TB8B	1,018	NF454-3TB8B	1,340	NF45X-3TB8B	3,500
		80	NF631-3TB8A	950	NF633-3TB8A	1,098	NF634-3TB8A	1,420	NF63X-3TB8A	3,600
		30	NF301-3TB8B	1,410	NF303-3TB8B	1,830	NF304-3TB8B	2,400	NF30X-3TB8B	3,900
		60	NF601-3TB8B	1,460	NF603-3TB8B	1,880	NF604-3TB8B	2,450	NF60X-3TB8B	3,950
		100	NF1001-3TB8B	1,510	NF1003-3TB8B	1,930	NF1004-3TB8B	2,500	NF100X-3TB8B	4,000
		125	NF1251-3TB8A	2,380	NF1253-3TB8A	2,980	NF1254-3TB8A	3,500	NF125X-3TB8A	5,000
		200	NF2001-3TB4B	3,150	NF2003-3TB4B	3,850	NF2004-3TB4B	7,480	NF200X-3TB4B	9,350
		400	NF4001-3TB4B	5,960	NF4003-3TB4B	6,160	NF4004-3TB4B	13,250	NF400X-3TB4B	16,560
		600	NF6001-3TB4A	10,260	NF6003-3TB4A	10,660	NF6004-3TB4A	19,730	NF600X-3TB4A	24,660
		800	NF8001-3TB4A	16,660	NF8003-3TB4A	19,460	NF8004-3TB4A	30,920	NF800X-3TB4A	38,660
1200	NF12001-3TB4A	20,660	NF12003-3TB4A	24,260	NF12004-3TB4A	36,530	NF1200X-3TB4A	45,660		

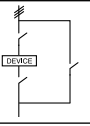
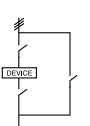
3 Pole, 600V, 16A – 1200A

		NEMA Enclosure type				
		4X Plastic		12		
UL general purpose amp rating		Catalog number	List price	Catalog number	List price	
UL508		16	NF16P-3TB8A	\$ 1,000	NF162-3TB8C	\$ 908
		25	NF25P-3TB8A	1,040	NF252-3TB8C	918
		40	NF32P-3TB8A	1,100	NF322-3TB8C	938
UL98		60	NF45P-3TB8B	1,180	NF452-3TB8B	1,018
		80	NF63P-3TB8A	1,260	NF632-3TB8A	1,098
		30	NF30P-3TB8B	2,000	NF302-3TB8B	1,730
		60	NF60P-3TB8B	2,050	NF602-3TB8B	1,830
		100	NF100P-3TB8B	2,100	NF1002-3TB8B	1,930
		125	NF125P-3TB8A	3,200	NF1252-3TB8A	2,980
		200	NF200P-3TB4B	8,550	NF2002-3TB4B	3,750
		400	NF400P-3TB4B	12,560	NF4002-3TB4B	6,460
		600	NF600P-3TB4A	20,660	NF6002-3TB4A	10,760
		800	NF800P-3TB4A	32,660	NF8002-3TB4A	17,460
1200	NF1200P-3TB4A	38,660	NF12002-3TB4A	21,460		

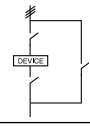
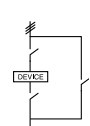
**Disconnect
switches**
Non-fusible
Enclosed

3 pole bypass 16A – 1200A

3 Pole, 600V, 16A – 1200A

		NEMA Enclosure type								
		1		3R		4		4X Stainless		
UL general purpose amp rating		Catalog number	List price	Catalog number	List price	Catalog number	List price	Catalog number	List price	
UL508		16	NF161-3BB8A	\$ 1,045	NF163-3BB8A	\$ 1,267	NF164-3BB8A	\$ 1,480	NF16X-3BB8A	\$ 3,740
		25	NF251-3BB8A	1,060	NF253-3BB8A	1,282	NF254-3BB8A	1,540	NF25X-3BB8A	3,820
		40	NF321-3BB8A	1,090	NF323-3BB8A	1,297	NF324-3BB8A	1,600	NF32X-3BB8A	3,900
		60	NF451-3BB8B	1,215	NF453-3BB8B	1,312	NF454-3BB8B	1,750	NF45X-3BB8B	4,050
		80	NF631-3BB8A	1,340	NF633-3BB8A	1,432	NF634-3BB8A	1,850	NF63X-3BB8A	4,150
UL98		30	NF301-3BB8B	1,970	NF303-3BB8B	2,300	NF304-3BB8B	2,800	NF30X-3BB8B	4,800
		60	NF601-3BB8B	2,070	NF603-3BB8B	2,400	NF604-3BB8B	2,900	NF60X-3BB8B	4,900
		100	NF1001-3BB8B	2,170	NF1003-3BB8B	2,500	NF1004-3BB8B	3,000	NF100X-3BB8B	5,000
		125	—	—	—	—	—	—	—	—
		200	—	—	—	—	—	—	—	—
		400	NF4001-3B6B	8,460	NF4003-3B6B	9,060	NF4004-3B6B	19,750	NF400X-3B6B	24,660
		600	NF6001-3B6B	15,060	NF6003-3B6B	15,660	NF6004-3B6B	29,330	NF600X-3B6B	36,660
		800	NF8001-3B6A	24,660	NF8003-3B6A	28,860	NF8004-3B6A	46,130	NF800X-3B6A	57,660
		1200	NF12001-3B6A	30,660	NF12003-3B6A	30,060	NF12004-3B6A	55,040	NF1200X-3B6A	68,800

3 Pole, 600V, 16A – 1200A

		NEMA Enclosure type				
		4X Plastic		12		
UL general purpose amp rating		Catalog number	List price	Catalog number	List price	
UL508		16	NF16P-3BB8A	\$ 1,300	NF162-3BB8A	\$ 1,267
		25	NF25P-3BB8A	1,325	NF252-3BB8A	1,282
		40	NF32P-3BB8A	1,350	NF322-3BB8A	1,297
		60	NF45P-3BB8B	1,420	NF452-3BB8B	1,312
		80	NF63P-3BB8A	1,550	NF632-3BB8A	1,432
UL98		30	NF30P-3BB8B	2,400	NF302-3BB8B	2,300
		60	NF60P-3BB8B	2,500	NF602-3BB8B	2,400
		100	NF100P-3BB8B	2,600	NF1002-3BB8B	2,500
		125	—	—	—	—
		200	—	—	—	—
		400	NF400P-3B6B	18,660	NF4002-3B6B	9,360
		600	NF600P-3B6B	30,660	NF6002-3B6B	15,960
		800	NF800P-3B6A	48,660	NF8002-3B6A	25,860
		1200	NF1200P-3B6A	57,660	NF12002-3B6A	31,860

3 pole mechanically interlocked 16A – 1200A

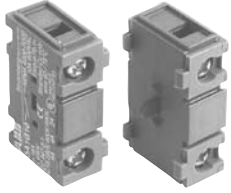
Disconnect
switches
Non-fusible
Enclosed

3 Pole, 600V, 16A – 1200A

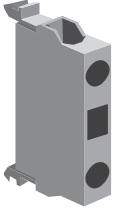
UL general purpose amp rating		NEMA Enclosure type								
		1		3R		4		4X Stainless		
		Catalog number	List price	Catalog number	List price	Catalog number	List price	Catalog number	List price	
UL508		16	NF161-3MB6A	\$ 640	NF163-3MB6A	\$ 788	NF164-3MB6A	\$ 1,120	NF16X-3MB6A	\$ 1,410
		25	NF251-3MB6A	650	NF253-3MB6A	798	NF254-3MB6A	1,160	NF25X-3MB6A	1,420
		40	NF321-3MB6A	670	NF323-3MB6A	818	NF324-3MB6A	1,170	NF32X-3MB6A	1,440
UL98		60	NF451-3MB6B	750	NF453-3MB6B	908	NF454-3MB6B	1,200	NF45X-3MB6B	1,490
		80	NF631-3MB6A	830	NF633-3MB6A	978	NF634-3MB6A	1,245	NF63X-3MB6A	1,540
		30	NF301-3MB6B	1,290	NF303-3MB6B	1,830	NF304-3MB6B	2,170	NF30X-3MB6B	2,700
		60	NF601-3MB6B	1,340	NF603-3MB6B	1,880	NF604-3MB6B	2,210	NF60X-3MB6B	2,770
		100	NF1001-3MB6B	1,390	NF1003-3MB6B	1,930	NF1004-3MB6B	2,270	NF100X-3MB6B	2,800
		125	NF1251-3MB6A	2,260	NF1253-3MB6A	2,860	NF1254-3MB8A	5,660	NF125X-3MB8A	7,060
		200	NF2001-3MB8B	3,010	NF2003-3MB8B	3,710	NF2004-3MB8B	7,380	NF200X-3MB8B	9,210
		400	NF4001-3MB4B	5,920	NF4003-3MB4B	6,030	NF4004-3MB4B	13,150	NF400X-3MB4B	16,420
		600	NF6001-3MB4B	10,020	NF6003-3MB4B	10,420	NF6004-3MB4B	19,550	NF600X-3MB4B	24,420
		800	NF8001-3MB4A	16,420	NF8003-3MB4A	19,860	NF8004-3MB4A	30,750	NF800X-3MB4A	38,420
1200	NF12001-3MB4A	20,420	NF12003-3MB4A	24,020	NF12004-3MB4A	36,350	NF1200X-3MB4A	45,420		

3 Pole, 600V, 16A – 1200A

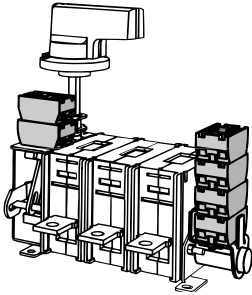
UL general purpose amp rating		NEMA Enclosure type				
		4X Plastic		12		
		Catalog number	List price	Catalog number	List price	
UL508		16	NF16P-3MB6A	\$ 860	NF162-3MB6A	\$ 788
		25	NF25P-3MB6A	870	NF252-3MB6A	798
		40	NF32P-3MB6A	890	NF322-3MB6A	818
UL98		60	NF45P-3MB6B	990	NF452-3MB6B	908
		80	NF63P-3MB6A	1,090	NF632-3MB6A	978
		30	NF30P-3MB6B	1,900	NF302-3MB6B	1,830
		60	NF60P-3MB6B	1,950	NF602-3MB6B	1,880
		100	NF100P-3MB6B	2,000	NF1002-3MB6B	1,930
		125	NF125P-3MB8A	6,000	NF1252-6PB6A	2,860
		200	NF200P-3MB8B	8,350	NF2002-3MB8B	3,710
		400	NF400P-3MB4B	12,360	NF4002-3MB4B	6,030
		600	NF600P-3MB4B	20,360	NF6002-3MB4B	10,420
		800	NF800P-3MB4A	32,360	NF8002-3MB4A	19,860
1200	NF1200P-3MB4A	38,360	NF12002-3MB4A	24,020		



OA1G_



OBEA_



OZ XK_



3 Position selector switch



Pilot light

Auxiliary contacts

For use on:	Contact configuration	Catalog number	Installation suffix	Installed list price adder
16A – 100A	1 N.O.	OA1G10	add "10" suffix	\$ 30
	1 N.C.	OA1G01	add "01" suffix	30
	1 N.O. & 1 N.C.	OA1G11	add "11" suffix	60
125A	1 N.O.	OBEA-10	add "10" suffix	50
	1 N.C.	OBEA-01	add "01" suffix	50
200A – 600A	1 N.O.	OA1G10	add "10" suffix	30
	1 N.C.	OA3G01	add "01" suffix	30
800A – 3150A	1 N.O. & 1 N.C.	OZ XK-1	add "11" suffix	130
	2 N.O. & 2 N.C.	OZ XK-2	add "22" suffix	200

Accessories ①

For use on:	Description	Installation suffix	Installed list price adder
OT16, 25,32 OT45, 63 OT30, 60, 100 OT160	Neutral or isolated ground block	N or G	\$ 30
	Neutral or isolated ground block	N or G	54
	Neutral or isolated ground block	N or G	75
	Neutral or isolated ground block	N or G	150
	Neutral block	N	210
200A – 1200A 1600A – 3150A	Neutral block	N	350
	Neutral block	N	350
30A – 1200A 30A – 1200A	Service entrance, 3 wire	U	100
	Service entrance, 4 wire	V	200
16A – 3150A	Start/stop pushbuttons	A	68
	2 position selector switch	C	68
	3 position selector switch	D	78
	Pilot light "red/run"	E	110
	Ammeter 1 phase ②	AM	940
	Voltmeter ②	VM	2300

① Please consult factory for special customer requirements.

② Current transformers included.

3 Pole 30A – 800A

Disconnect
switches
Fusible
Enclosed



FJ30X-3PB6B

3 Pole, 600V, 30A – 800A ①

NEMA Enclosure type

UL general purpose amp rating	Fuse type	1		3R		4		4X Stainless		
		Catalog number	List price	Catalog number	List price	Catalog number	List price	Catalog number	List price	
	30	J	FJ301-3PB6B		FJ303-3PB6B	\$ 600	FJ304-3PB6B	\$ 1,100	FJ30X-3PB6B	\$ 1,400
	30	CC	FC301-3PB6B	\$ 560	FC303-3PB6B	\$ 600	FC304-3PB6B	\$ 1,100	FC30X-3PB6B	\$ 1,400
	60	J [®]	FJ601-3PB6B	660	FJ603-3PB6B	860	FJ604-3PB8B	1,300	FJ60X-3PB8B	1,800
	100	J [®]	FJ1001-3PB8B	960	FJ1003-3PB8B	1,140	FJ1004-3PB8B	2,800	FJ100X-3PB8B	3,800
	200	J [®]	FJ2001-3PB8C	2,200	FJ2003-3PB8C	2,400	FJ2004-3PB8C	3,900	FJ200X-3PB8C	5,000
	400	J [®]	FJ4001-3PB4C	3,800	FJ4003-3PB4C	4,200	FJ4004-3PB4C	7,700	FJ400X-3PB4B	10,800
	600	J [®]	FJ6001-3PB7C	5,300	FJ6003-3PB7C	6,800	FJ6004-3PB7C	11,000	FJ600X-3PB7C	16,000
	800	L	FL8001-3PB4B	9,500	FL8003-3PB4B	11,200	FL8004-3PB4B	16,000	FL800X-3PB4B	21,000

3 Pole, 600V, 30A – 800A ①

NEMA Enclosure type

UL general purpose amp rating	Fuse type	4X Plastic		12		
		Catalog number	List price	Catalog number	List price	
	30	J	FJ30P-3PB6B		FJ302-3PB6B	\$ 600
	30	CC	FC30P-3PB6B	\$ 1,040	FC302-3PB6B	\$ 600
	60	J [®]	FJ60P-3PB8B	1,300	FJ602-3PB6B	860
	100	J [®]	FJ100P-3PB8B	2,800	FJ1002-3PB8B	1,140
	200	J [®]	FJ200P-3PB8C	4,400	FJ2002-3PB8C	2,400
	400	J [®]	FJ400P-3PB4C	8,400	FJ4002-3PB4C	4,200
	600	J [®]	FJ600P-3PB7C	13,600	FJ6002-3PB7C	6,200
	800	L	FL800P-3PB4B	17,400	FL8002-3PB4B	9,800

NOTE: All enclosed switches are provided with a black handle; however, most handles can be substituted with a red / yellow handle if desired. Please substitute the handle suffix code (2nd and 3rd from last characters) with the red/yellow handle catalog number suffix from page 18.130. There is no additional price adder for changing to a red/yellow handle of equal ratings and style.


EXAMPLE: A red/yellow pistol handle for an FJ301-3PB6B can be substituted for the black pistol handle by using the "Y6" suffix instead of the "B6" suffix, new catalog number: FJ301-3PY6B.


① Fusible switches are UL listed to the UL98 standard.

**Disconnect
switches**
Fusible
Enclosed

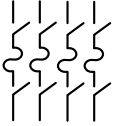
2 & 4 Pole 30A – 800A

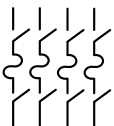
2 Pole, 600V, 30A – 800A

UL general purpose amp rating		Fuse type	NEMA Enclosure type							
			1		3R		4		4X Stainless	
			Catalog number	List price	Catalog number	List price	Catalog number	List price	Catalog number	List price
	30	J	—	—	—	—	—	—	—	—
	30	CC	—	—	—	—	—	—	—	—
	60	J	—	—	—	—	—	—	—	—
	100	J	FJ1001-2PB8B	\$ 864	FJ1003-2PB8B	\$ 1,026	FJ1004-2PB8B	\$ 2,735	FJ100X-2PB8B	\$ 3,420
	200	J	FJ2001-2PB8C	1,980	FJ2003-2PB8C	2,160	FJ2004-2PB8C	3,600	FJ200X-2PB8C	4,500
	400	J	FJ4001-2PB4C	3,420	FJ4003-2PB4C	3,780	FJ4004-2PB4C	7,775	FJ400X-2PB4C	9,720
	600	J	FJ6001-2PB7C	4,770	FJ6003-2PB7C	6,120	FJ6004-2PB7C	11,520	FJ600X-2PB7C	14,400
	800	L	FL8001-2PB4B	8,550	FL8003-2PB4B	10,080	FL8004-2PB4B	15,120	FL800X-2PB4B	18,900

UL general purpose amp rating		Fuse type	NEMA Enclosure type			
			4X Plastic		12	
			Catalog number	List price	Catalog number	List price
	30	J	—	—	—	—
	30	CC	—	—	—	—
	60	J	—	—	—	—
	100	J	FJ100P-2PB8B	\$ 2,520	FJ1002-2PB8B	\$ 1,026
	200	J	FJ200P-2PB8C	3,960	FJ2002-2PB8C	2,160
	400	J	FJ400P-2PB4C	7,560	FJ4002-2PB4C	3,780
	600	J	FJ600P-2PB7C	12,240	FJ6002-2PB7C	5,580
	800	L	FL800P-2PB4B	15,660	FL8002-2PB4B	8,820

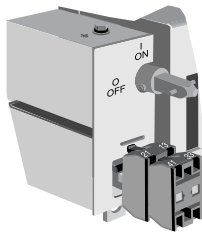
4 Pole, 600V, 30A – 800A

UL general purpose amp rating		Fuse type	NEMA Enclosure type							
			1		3R		4		4X Stainless	
			Catalog number	List price	Catalog number	List price	Catalog number	List price	Catalog number	List price
	30	J	FJ301-4PB6B	\$ 700	FJ303-4PB6B	\$ 750	FJ304-4PB6B	\$ 1,375	FJ30X-4PB6B	\$ 1,750
	30	CC	FC301-4PB6B	—	FC303-4PB6B	—	FC304-4PB6B	—	FC30X-4PB6B	—
	60	J	FJ601-4PB6B	825	FJ603-4PB6B	1,075	FJ604-4PB8B	1,800	FJ60X-4PB8B	2,250
	100	J	FJ1001-4PB8B	1,200	FJ1003-4PB8B	1,425	FJ1004-4PB8B	3,800	FJ100X-4PB8B	4,750
	200	J	FJ2001-4PB8C	2,750	FJ2003-4PB8C	3,000	FJ2004-4PB8C	5,000	FJ200X-4PB8C	6,250
	400	J	FJ4001-4PB4C	4,750	FJ4003-4PB4C	5,250	FJ4004-4PB4C	10,800	FJ400X-4PB4C	13,500
	600	J	FJ6001-4PB7C	6,625	FJ6003-4PB7C	8,500	FJ6004-4PB7C	16,000	FJ600X-4PB7C	20,000
	800	L	FL8001-4PB4B	11,875	FL8003-4PB4B	14,000	FL8004-4PB4B	21,000	FL800X-4PB4B	26,250

UL general purpose amp rating		Fuse type	NEMA Enclosure type			
			4X Plastic		12	
			Catalog number	List price	Catalog number	List price
	30	J	FJ30P-4PB6B	\$ 1,300	FJ302-4PB6B	\$ 750
	30	CC	FC30P-4PB6B	—	FC302-4PB6B	—
	60	J	FJ60P-4PB8B	1,625	FJ602-4PB6B	1,075
	100	J	FJ100P-4PB8B	3,500	FJ1002-4PB8B	1,425
	200	J	FJ200P-4PB8C	5,500	FJ2002-4PB8C	3,000
	400	J	FJ400P-4PB4C	10,500	FJ4002-4PB4C	5,250
	600	J	FJ600P-4PB7C	17,000	FJ6002-4PB7C	7,750
	800	L	FL800P-4PB4B	21,750	FL8002-4PB4B	12,250



OESA-ZX157



OZXK-1
OZXK-2



3 Position selection switch



Pilot light

Auxiliary contacts

For use on:	Contact configuration	Catalog number	Installation suffix	Installed list price adder
30A	1 N.O. + 1 N. C. 2 N.O. + 2 N.C.	OA4B1C	add "11" suffix add "22" suffix	\$ 40 40
60A – 600A	1 N.O. 1 N.C.	OA1G10 OA3G01	add "10" suffix add "01" suffix	20
800A	1 N.O. & 1 N.C. 2 N.O. & 2 N.C.	OZXK-1 OZXK-2	add "11" suffix add "22" suffix	100 170

Accessories ①②

For use on:	Description	Installation suffix	Installed list price adder
30A	Neutral block	N	\$ 40
60A – 100A	Neutral block	N	50
200A – 400A	Neutral block	N	150
600A – 800A	Neutral block	N	160
30A – 200A	Service entrance, 3 wire Service entrance, 4 wire	U V	75 125
400A – 800A	Service entrance, 3 wire Service entrance, 4 wire	U V	150 200
30A – 800A	Start/stop pushbuttons 2 position selector switch 3 position selector switch Pilot light "red/run" Ammeter 1 phase ③ Voltmeter ③	A C D E AM VM	68 68 78 110 940 2300

① Additional accessories can be found on pages 18.83 – 18.95.

② Please consult factory for special customer requirements.

③ Current transformers included.