

---

PROTECTION AND CONNECTION

# Switch-disconnectors OTDC and OTDCP

Switches for photovoltaic applications



---

**OTDC switch-disconnectors by ABB offer reliability and efficiency for direct current applications such as solar farms.**

---

# Contents

<b>004</b> –009	<b>DC switch-disconnectors</b>
<b>010</b> –024	<b>Overview of product range</b>
<b>025</b> –062	<b>Ordering information</b>
<b>063</b> –076	<b>Ordering information for accessories</b>
<b>077</b> –081	<b>Technical data</b>
<b>082</b> –092	<b>Circuits</b>
<b>093</b> –111	<b>Dimensional drawings</b>
<b>112</b> –117	<b>Index</b>

---

The compact design and dimensioning of these devices makes them fast and easy to install in all conditions.



---

# DC switch-disconnectors

**006–007**      **Premium performance  
for DC applications**

**008–009**      **Typical photovoltaic  
applications**

## DC switch-disconnectors

### Premium performance for DC applications

The OTDC range of switch-disconnectors is specially designed for DC applications. Thanks to a compact design, efficiency and reliability, OTDC switches bring photovoltaic installations to the next level.

#### RELIABLE IN EXTREME CONDITIONS



##### Designed for harsh environments

Solar farms are typically located in remote and inhospitable environments. The OTDC switch-disconnectors are designed to offer efficient and reliable performance even in high ambient temperatures and harsh environmental conditions. They are virtually maintenance-free. The unique contact design results in a lower temperature rise, making only a minimal contribution to the overall heat-rise within any enclosure. The patented dual magnetic breaking (DMB) solution in our larger OTDC 100...1600 switch-connectors results in market-leading performance and reliable switching in all applications.

#### EASY INSTALLATION



##### Compact and modular design

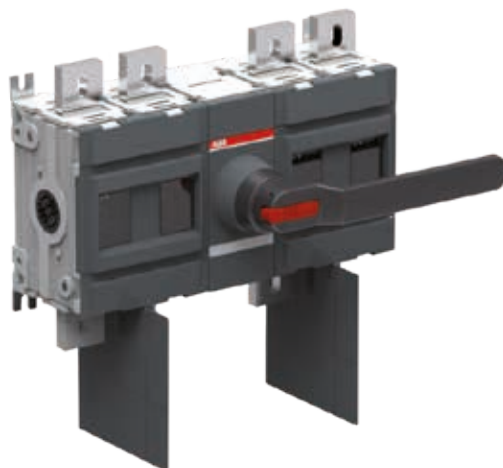
The smart modular design of these devices means that they are fast and easy to install in a wide variety of ways, none of which take up large amounts of space. The switch-disconnectors can be mounted in any direction, and thanks to their polarity independence connections can be made in both ways. Additionally, the unique modular and compact design of our smaller OTDC 16...32 switch-disconnectors means that the same dimensions apply to a 2-pole and 6-pole switch. These switches offer various DC voltage ratings and control of up to three circuits within the same footprint area. Three mounting options are available for easy installation in a variety of enclosure designs: door, base and DIN rail.

#### ENERGY EFFICIENCY



##### Reduced power losses

Energy efficiency and sustainability are important factors in photovoltaic energy production and distribution applications. Switches often generate considerable amounts of heat within the enclosure. The OTDC switch-disconnectors by ABB have a superior thermal structure, which help decrease switch power losses by up to 50%. These devices are extremely well suited for applications in high ambient temperatures. The rated currents need no derating even beyond 60°C (140°F). Overall these devices enable energy savings and reduced active ventilation costs, all within a smaller enclosure.





---

## DC switch-disconnectors

### Typical photovoltaic applications

Direct current switch-disconnectors by ABB offer reliable switching for a wide range of photovoltaic (PV) applications. They are durable and virtually maintenance-free, and offer easy installation for all imaginable situations.

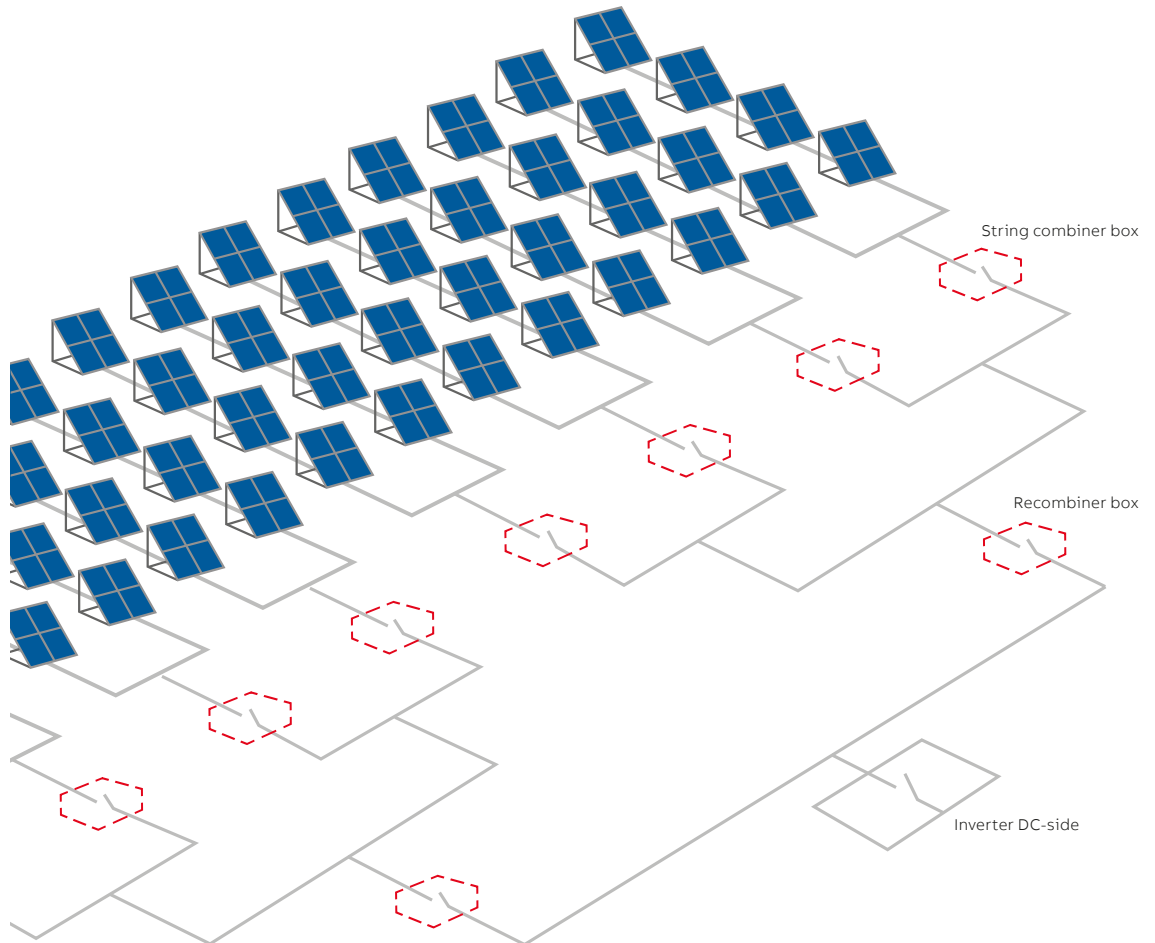
Depending on the solar farm layout and the customer's wishes, the OTDC switch-disconnectors may be used in one or more sections of the overall setup, on the DC side prior to the inverter.

The most typical uses for direct current switch-disconnectors include:

- String combiner boxes
- Recombiner boxes
- Inverter input







### String combiner box

The switch-disconnectors can also be used to disconnect individual arrays. In larger photovoltaic (PV) sources arrays, which consist of parallel-connected strings, are often used, with combiner boxes grouping individual strings together. Combiner boxes are an ideal place for placing PV devices, for example control and over-current protective devices. Switches inside combiner boxes allow possible fuse replacement and safe maintenance to be performed on individual arrays.

### Recombiner box

Additional disconnect switches may also be installed in the proximity of the inverter to provide

a means of isolation, for example for local fuse isolation. Service isolation may be required 'within sight' of the inverter or other locations frequently requiring service. Also these switches may be integrated inside the inverter although more often they are housed in a re-combiner box.

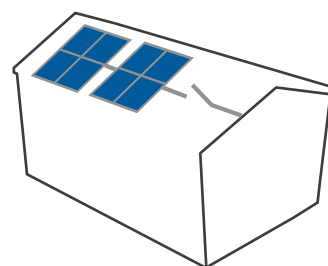
### Inverter DC-side

These same devices may also be used to disconnect the inverter from the DC side entirely. For this use the switch-disconnector is installed either just before the inverter on the DC side or inside the inverter itself. This type of main disconnection means is a good practice and generally required by installation norms.

## String disconnect for residential use

### String disconnects

The switch-disconnectors can be used to break and isolate panels and individual strings on roof-tops to allow for safe repair operations for maintenance workers. The switch-disconnectors can be used to break and isolate panels and individual strings on roof-tops to allow safe repair operations for maintenance workers or fire-brigade.



---

For the best possible global coverage, we offer devices with compliance to both IEC and UL standards.



---

# Overview of product range

<b>012–013</b>	<b>Quick selection for IEC</b>
<b>014–015</b>	<b>Quick selection for UL</b>
<b>016–017</b>	<b>Front operated switch-disconnectors 16...1600 A, IEC</b>
<b>018</b>	<b>Enclosed switch-disconnectors 16...32 A, IEC</b>
<b>019–020</b>	<b>Front operated switch-disconnectors 16...1000, UL</b>
<b>021</b>	<b>Side operated switch-disconnectors 100...400 A, UL</b>
<b>022–024</b>	<b>Type codes and pole configuration table</b>


# Overview of product range

## Quick selection for IEC












### Wide portfolio for global compatibility

Global availability and compatibility of our direct current switch-disconnectors has been ensured with a wide portfolio of devices. Our portfolio includes devices compliant with the UL standard typically required of devices used in the North

American market as well as IEC standard devices used in most other markets across the globe. All devices, regardless of standard, offer the reliability and efficiency expected of a switch device by ABB.

VDC	CIRCUITS	AMPERAGE									
		XS									
		10	16	20	25	32					
660	1 circuit	OTDC16U2		OTDC25U2		OTDC32F2					
	Wire diagram	On page 44		On page 44		On page 27					
	2 circuits	OTDC16U4		OTDC25U4		OTDC32U4					
	Wire diagram	On page 44		On page 44		On page 44					
	3 circuits	OTDC16U6									
	Wire diagram	On page 45									
1000	1 circuit	OTDC16U2		OTDC25U2		OTDC32F2		OTDC25F3		OTDC32F3	
	Wire diagram	On page 44	On page 44		On page 27	On page 27		On page 27			
	2 circuits	OTDC16U4		OTDC25U4		OTDC32U4					
	Wire diagram	On page 44	On page 44		On page 44						
	3 circuits	OTDC16U6									
	Wire diagram	On page 45									







NOTE: The complete list of available switches can be found in the Product range starting on page 16.

VDC	CIRCUITS	AMPERAGE											
		S				M			L		XL		
		100	160	200	250	315	400	500	630	800	1000	1250	1600
660...1000	1 circuit	OTDC100...250E11, OTDC100...250E02				OTDC315...500E11, OTDC315...500E02			OTDC630...800EPP22		OTDC1000...1600E22		
													
	Wire diagram	2a, 2b on page 80 OTDC100...250E22				2a, 2b on page 80 OTDC315...500E22			6c on page 83		6a, 6b on page 83		
	2 circuits												
	Wire diagram	4a, 4c on page 81 OTDC100...200E33				4a, 4c, 6d on pages 81, 84 OTDC315...500E33							
	3 circuits												
Wire diagram	7a, 7i on pages 85, 86 OTDC100...200EV22				7a on page 85 OTDC315...500EV12								
1500	1 circuit												
	Wire diagram	6a, 6b on page 83				5a on page 82 OTDC315...500E33							
	2 circuits												
	Wire diagram					7b on page 86							

NOTE: The complete list of available switches can be found in the Product range starting on page 16.










# Overview of product range

## Quick selection for UL

VDC	CIRCUITS	AMPERAGE		
		XS		
		16	25	32
600	1 circuit	OTDC16U2 	OTDC25U2 	
	Wire diagram	On page 44	On page 44	
	2 circuits	OTDC16U4 	OTDC25U4 	OTDC32U4 
	Wire diagram	On page 44	On page 44	On page 44
	3 circuits	OTDC16U6 		
	Wire diagram	On page 45		

NOTE: Door mounted U\_T and US models for grounded systems can be found on page 52.

Legend:  
 US = grounded system  
 U = ungrounded system

VDC	CIRCUITS	AMPERAGE							
		S		M			L	XL	
		100	200	250	320	400	600	800	1000
Up to 1000	1 circuit	OTDC100...245US11, OTDC100...245US02		OTDC250...400US11, OTDC250...400US02			OTDC600USPP22	OTDC800...1000US22	
									
	Wire diagram	1a, 1b on page 80		1a, 1b on page 80			6e on page 84	6m on page 85	
		OTDC100...200US22		OTDC250...400US22					
	2 circuits								
	Wire diagram	3 on page 81		3 on page 81					
		OTDC100...200US33							
	3 circuits								
	Wire diagram	7a, 7i on pages 85, 86							
1500	1 circuit	OTDC100...200USV22		OTDC250...400USV12					
									
	Wire diagram	6a, 6b on page 83		5a on page 82					

NOTE: The complete list of available switches can be found in the Product range starting on page 16.

## Overview of product range

Front operated switch-disconnectors

16...1600 A, IEC

IEC 60947



OTDC16U2

OTDC16U4

OTDC16U6

OTDC25U2

OTDC25U4

OTDC32U4

$U_n$  [V DC]

660/1000

2x660/1000

3x660/1000

$I_n$ , DC-21B [A]

16/10 - 25/16

16/10 - 25/16 - 32/20

16/10

IEC 60947



Door mounting

OTDC16UT2

OTDC16UT4

OTDC16UT6

OTDC25UT2

OTDC25UT4

OTDC32UT4

$U_n$  [V DC]

660/1000

2x660/1000

3x660/1000

$I_n$ , DC-21B [A]

16/10 - 25/16

16/10 - 25/16 - 32/20

16/10

IEC 60947



OTDC16F2

OTDC16F3

OTDC16F4

OTDC25F3

OTDC25F4

OTDC32F3

OTDC32F4

$U_n$  [V DC]

660

1000

1000 / 2x660

$I_n$ , DC-21B [A]

16 - 25 - 32

16 - 25 - 32

16 - 25 - 32

IEC 60947



OTDC16FT2

OTDC16FT3

OTDC16FT4

OTDC25FT3

OTDC25FT4

OTDC32FT3

OTDC32FT4

$U_n$  [V DC]

660/1000

2x660/1000

3x660/1000

$I_n$ , DC-21B [A]

16/10 25/16

16/10 25/16 32/20

16/10



IEC 60947



	OTDC100E02	OTDC100E11	OTDC100E22	OTDC100EV22	OTDC100E33
	OTDC160E02	OTDC160E11	OTDC160E22	OTDC160EV22	OTDC160E33
	OTDC200E02	OTDC200E11	OTDC200E22	OTDC200EV22	OTDC200E33
	OTDC250E02	OTDC250E11	OTDC250E22		
<b>U<sub>e</sub> [V DC]</b>	1000	1000	1000	1500	1000
<b>I<sub>n</sub>, DC-21B [A]</b>	100 - 160 - 200 - 250	100 - 160 - 200 - 250	100 - 160 - 200 - 250	100 - 160 - 200	100 - 160 - 200

IEC 60947



	OTDC315E02	OTDC315E11	OTDC315EV12
	OTDC400E02	OTDC400E11	OTDC400EV12
	OTDC500E02	OTDC500E11	OTDC500EV12
<b>U<sub>e</sub> [V DC]</b>	1000	1000	1500
<b>I<sub>n</sub>, DC-21B [A]</b>	315 - 400 - 500	315 - 400 - 500	315 - 400 - 500

IEC 60947



	OTDC315E22	OTDC315E33	OTDC630EPP22	OTDC1000E22
	OTDC400E22	OTDC400E33	OTDC800EPP22	OTDC1250E22
	OTDC500E22	OTDC500E33		OTDC1600E22
<b>U<sub>e</sub> [V DC]</b>	1000	1000/1500	1000	1000
<b>I<sub>n</sub>, DC-21B [A]</b>	315 - 400 - 500	315 - 400 - 500	630 - 800	1000 - 1250 - 1600




# Overview of product range

## Front operated switch-disconnectors

### 16...1000, UL \*)


**UL508i**  
File E4466875



**Base or DIN-rail mounting**

	OTDC16U2	OTDC16U4	OTDC16U6	OTDC16US2	OTDC16US4	OTDC16US6
	OTDC25U2	OTDC25U4		OTDC25US2	OTDC25US4	
		OTDC32U4			OTDC32US4	
<b>Rated Voltage [V DC]</b>	600	600	600	600	600	600
<b>Rated current [A]</b>	16 - 25	16 - 25 - 35	16	16 - 25	16 - 25 - 32	16


**UL508i**  
File E4466875



**Door mounting**


	OTDC16UT2	OTDC16UT4	OTDC16UT6	OTDC16UST2	OTDC16UST4	OTDC16UST6
	OTDC25UT2	OTDC25UT4		OTDC25UST2	OTDC25UST4	
		OTDC32UT4			OTDC32UST4	
<b>Rated Voltage [V DC]</b>	600	600	600	600	600	600
<b>Rated current [A]</b>	16 - 25	16 - 25 - 35	16	16 - 25	16 - 25 - 32	16

**UL98B**  
File #E354681



	OTDC100U02	OTDC100U11	OTDC100U22	OTDC100UV22	OTDC100US02	OTDC100US11	OTDC100US22
	OTDC200U02	OTDC200U11	OTDC180U22	OTDC200UV22	OTDC200US02	OTDC200US11	OTDC180US22
	OTDC245U02	OTDC245U11	OTDC200U22		OTDC245US02	OTDC245US11	OTDC200US22
<b>Rated Voltage [V DC]</b>	1000	1000	1000	1500	1000	1000	1000
<b>Rated current [A]</b>	100 - 200 - 250	100 - 200 - 250	100 - 180 - 200	100 - 200	100 - 200 - 250	100 - 200 - 250	100 - 180 - 200

**UL98B**  
File #E354681



	OTDC100USV22	OTDC250U02	OTDC250U11	OTDC250UV12	OTDC250U22	OTDC600UPP22	OTDC800U22
	OTDC200USV22	OTDC320U02	OTDC320U11	OTDC320UV12	OTDC320U22		OTDC1000U22
		OTDC400U02	OTDC400U11	OTDC400UV12	OTDC400U22		
<b>Rated Voltage [V DC]</b>	1500	1000	1000	1500	1000	1000	1000
<b>Rated current [A]</b>	100 - 200	250 - 320 - 400	250 - 320 - 400	250 - 320 - 400	250 - 320 - 400	600	800 - 1000

\*) All UL listed products (except side operated) are also IEC rated up to 800 A.

## Overview of product range

Front operated switch-disconnectors

16...1000, UL \*)

### UL98B

File #E354681



	OTDC250US02	OTDC250US11	OTDC250USV12
	OTDC320US02	OTDC320US11	OTDC320USV12
	OTDC400US02	OTDC400US11	OTDC400USV12
<b>Rated Voltage [V DC]</b>	1000	1000	1500
<b>Rated current [A]</b>	250 - 320 - 400	250 - 320 - 400	250 - 320 - 400

### UL98B

File #E354681



	OTDC250US22	OTDC600USPP22	OTDC8000US22
	OTDC320US22		OTDC1000US22
	OTDC400US22		
<b>Rated Voltage [V DC]</b>	1000	1000	1000
<b>Rated current [A]</b>	250 - 320 - 400	600	800 - 1000

\*) All UL listed products (except side operated) are also IEC rated up to 800 A.

# Overview of product range

Side operated switch-disconnectors  
100...400 A, UL

UL-types  
UL98B  
File #E354681



	OTDC100U20S	OTDC250U20S	OTDC100US20S	OTDC250US20S
	OTDC200U20S	OTDC320U20S	OTDC200US20S	OTDC320US20S
		OTDC400U20S		OTDC400US20S
<b>Rated Voltage [V DC]</b>	1000	1000	1000	1000
<b>Rated current [A]</b>	100 - 200	250 - 320 - 400	100 - 200	250 - 320 - 400

# Overview of product range

## Type codes and pole configuration table

### Type codes

Understanding the type code keys below will help you quickly identify the correct product for your needs. The simple naming sys-

tem allows you to see the products type, Ampere rating, standard classification and number of poles, all in one glance.

### Explanation of the types 16 to 32 Amperes, open version

Option:	OTDC	16	F	3
Position:	1	2	3	4

**1: Brand and Switch size/Ampere rating**

**2: Ampere rating**

**3: Standard**

F: IEC

U: Base mounted, IEC and 508i, non grounded

US: Base mounted, IEC and 508i, non grounded (includes factory mounted jumpers)

FT: Door mounted, IEC

UT: Door mounted, IEC and 508i, non grounded

UST: Door mounted, UL, factory mounted jumpers

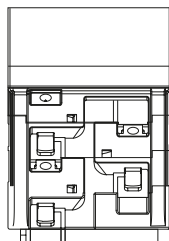
**4: Number of the poles**

2

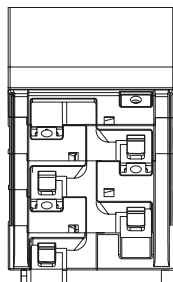
3

4

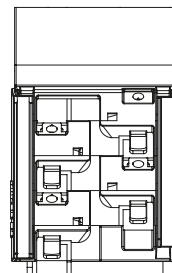
6



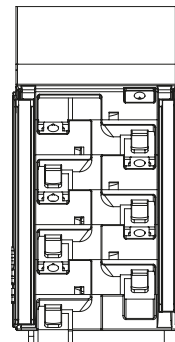
2 pole version



3 pole version



4 pole version



6 pole version

**Explanation of the types 16 to 32 Amperes, enclosed version**

Option:	OTDC	P	16	S	11	M	D
Position:	1	2	3	4	5	6	7

**1: Brand**

OTDC: ABB DC switch-disconnector brand

**2: Enclosure material**

P: Plastic

**3: Switch size**

16...32: 16, 25 and 32 Amperes

**4: Selector handle color**

S: Black

SA: Red-yellow

**5: Contact configuration**

11, 12, 22

**6: Cable entries**

M: Threaded knock-out M20

M16: Threaded knock-out M16

M25: Threaded knockout M25

U: Blank cable entries

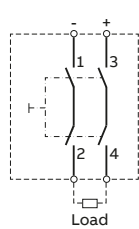
UM: Black top cable entry and threaded knockout M20 bottom cable entry

M20/M16: Threaded knockouts: M16 top cable entry and M20 bottom cable entry

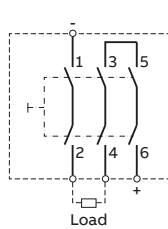
**7: Connection options**

\_: Single circuit use

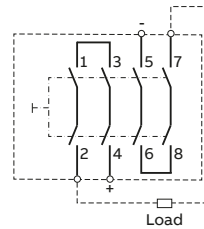
D: Double circuit use



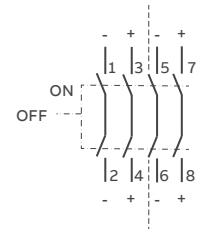
OTDCP\_11\_



OTDCP\_12\_



OTDCP\_22\_



OTDCP\_22MD

# Overview of product range

## Type codes and pole configuration table

### Explanation of the types OTDC100...1600, IEC and UL98B

Option:	OTDC	200	U	S	11	K
Position:	1	2	3	4	5	6

#### 1: Brand

OTDC: ABB DC switch-disconnector brand

#### 2: Switch size

100...1600: 100...1600 Amperes

#### 3: Voltage and standard

E: IEC

U: UL98B

#### 4: Connection bars/jumpers

blank: Connection bars/jumpers not included

V: 1500 VDC (includes factory mounted connection kits)

S: Grounded versions (connection kits are premounted)

PP: Parallel poles (factory mounted connection kit)

#### 5: Number of poles

11: Two poles, mechanism between the poles

02, 20: Two poles, mechanism at the end of the switch

12: Three poles, mechanism between the poles

22: Four poles, mechanism between the poles

33: Six poles, mechanism between the poles

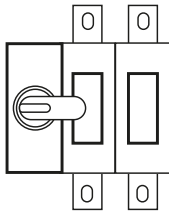
#### 6: Included handle

-: none

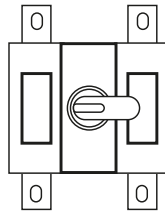
P: external handle

K: direct mount, front operation

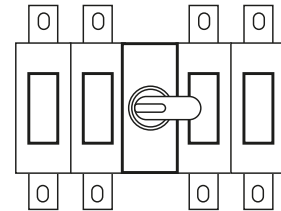
S: none (side operation)



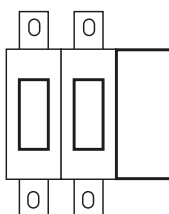
Configuration 02



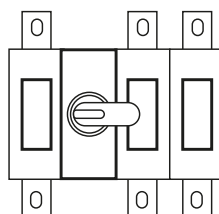
Configuration 11



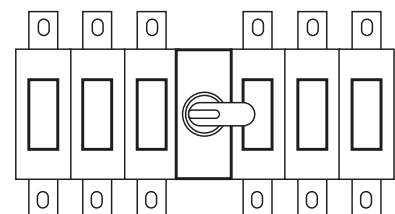
Configuration 22



Configuration 20 (side operated only)



Configuration 12



Configuration 33



---

# Ordering information

IEC

<b>026–034</b>	<b>16...32A</b>
<b>035–038</b>	<b>100...250A</b>
<b>039–043</b>	<b>315...500A</b>
<b>044</b>	<b>630...800A</b>
<b>045</b>	<b>1000...1600A</b>

UL

<b>047–051</b>	<b>16...32A</b>
<b>052–055</b>	<b>100...245A</b>
<b>056–060</b>	<b>250...400A</b>
<b>061</b>	<b>600A</b>
<b>062</b>	<b>800...1000A</b>

# Ordering information, IEC

## OTDC16...32, 1000 VDC

### DC switch-disconnectors accessory guide

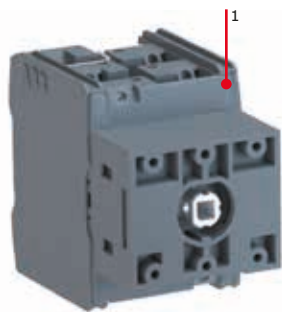
1. Switch-disconnector
2. Shaft
3. Selector handle (options for direct mount or external mount with a shaft available)
4. Legend plate

Please note that not all listed accessories are automatically included in your order.

See next page for recommendations.



— Base mounted



— Door mounted



NOTE: The information in this image applies to both IEC and UL versions of the depicted product.

**Switch-disconnectors OTDC, base or DIN-rail mounting, IEC**

Types OTDC16...32F include IP20 protected terminal clamps and knob handles.



OTDC16...32F2



OTDC16...32F3



OTDC16...32F4

—  
**Single circuit use - up to 660 VDC**

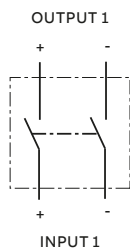
Number of poles	Rated operat. current [A]		Type	Order code	Weight/unit [kg]
	DC 21B / 660 V				
2	16		OTDC16F2	1SCA121454R1001	0.15
2	25		OTDC25F2	1SCA121455R1001	0.15
2	32		OTDC32F2	1SCA121456R1001	0.15

—  
**Up to 1000 VDC**

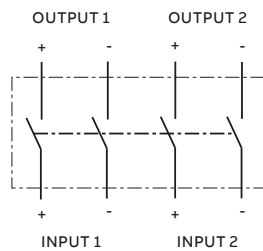
Number of poles	Rated operat. current [A]		Type	Order code	Weight/unit [kg]
	DC 21B / 1000 V				
2	10		OTDC16F2	1SCA121454R1001	0.15
2	16		OTDC25F2	1SCA121455R1001	0.15
2	20		OTDC32F2	1SCA121456R1001	0.15
3	16		OTDC16F3	1SCA121457R1001	0.20
3	25		OTDC25F3	1SCA121458R1001	0.20
3	32		OTDC32F3	1SCA121459R1001	0.20

—  
**Double circuit use - up to 1000 VDC**

Number of poles	Rated operat. current [A]			Type	Order code	Weight/unit [kg]
	DC 21B / 660 V	DC 21B / 1000 V				
2x2	16	10		OTDC16F4	1SCA121461R1001	0.25
2x2	25	16		OTDC25F4	1SCA121462R1001	0.25
2x2	32	20		OTDC32F4	1SCA121463R1001	0.25



—  
Single circuit



—  
Double circuit

# Ordering information, IEC

## OTDC16...32, 1000 VDC

### Switch-disconnectors OTDC\_, door mounting, IEC

Types OTDC16...32 include IP20 protected terminal clamps. Shafts and handles need to be ordered separately. Jumpers included in the package.



OTDC16...32FT2



OTDC16...32FT3



OTDC16...32FT4

#### Single circuit use - up to 660 VDC

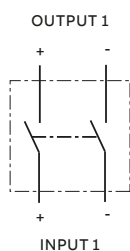
Number of poles	Rated operat. current [A]		Type	Order code	Weight/unit [kg]
	DC 21B / 660 V				
2	16		OTDC16FT2	1SCA123839R1001	0.15
2	25		OTDC25FT2	1SCA123842R1001	0.15
2	32		OTDC32FT2	1SCA123845R1001	0.15

#### Up to 1000 VDC

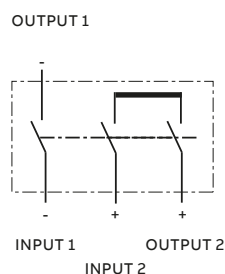
Number of poles	Rated operat. current [A]		Type	Order code	Weight/unit [kg]
	DC 21B / 1000 V				
2	10		OTDC16FT2	1SCA123839R1001	0.20
2	16		OTDC25FT2	1SCA123842R1001	0.20
2	20		OTDC25FT2	1SCA123845R1001	0.20
3	16		OTDC16FT3	1SCA123840R1001	0.20
3	25		OTDC25FT3	1SCA123843R1001	0.20
3	32		OTDC32FT3	1SCA123846R1001	0.20

#### Double circuit use - up to 1000 VDC

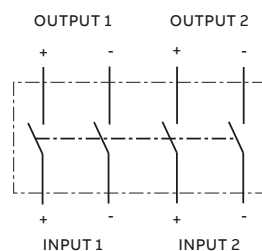
Number of poles	Rated operat. current [A]			Type	Order code	Weight/unit [kg]
	DC 21B / 660 V	DC 21B / 1000 V				
2x2	16	10		OTDC16FT4	1SCA123841R1001	0.25
2x2	25	16		OTDC25FT4	1SCA123844R1001	0.25
2x2	32	20		OTDC32FT4	1SCA123847R1001	0.25



Single circuit



Single circuit for F\_3 models



Double circuit

NOTE: The complete list of available accessories can be found in the Accessories section starting on page 59.

**Switch-disconnectors OTDC\_, base or DIN-rail mounting, IEC**

Touch-safe IP20 protected terminal clamps included. Types OTDC16...32US include pre-mounted jumper. Shafts and handles to be ordered separately.



OTDC16...32U2



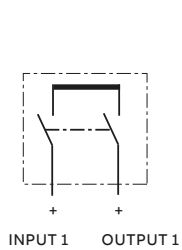
OTDC16...32U4

**Single circuit**

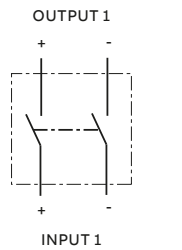
Number of poles	Rated operat. current [A]		Type	Order code	Weight/unit [kg]
	660 VDC	1000 VDC			
2	16	10	OTDC16U2	1SCA134369R1001	0.15
2	25	16	OTDC25U2	1SCA134375R1001	0.15
2	32	-	OTDC32U2	1SCA141976R1001	0.15
2	16	-	OTDC16US2	1SCA134372R1001	0.15
2	25	-	OTDC25US2	1SCA134378R1001	0.15

**Double circuit**

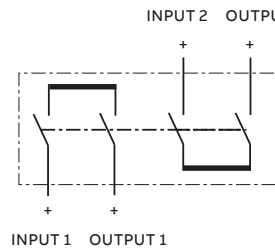
Number of poles	Rated operat. current [A]		Type	Order code	Weight/unit [kg]
	660 VDC	1000 VDC			
4	16	10	OTDC16U4	1SCA134370R1001	0.15
4	25	16	OTDC25U4	1SCA134377R1001	0.15
4	32	20	OTDC32U4	1SCA136703R1001	0.15
4	16	-	OTDC16US4	1SCA134373R1001	0.15
4	25	-	OTDC25US4	1SCA134379R1001	0.15
4	32	-	OTDC32US4	1SCA136704R1001	0.15



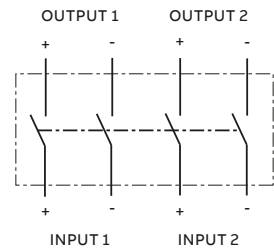
Single circuit, US types



Single circuit, U types



Double circuit, US types



Double circuit, U types

# Ordering information, IEC

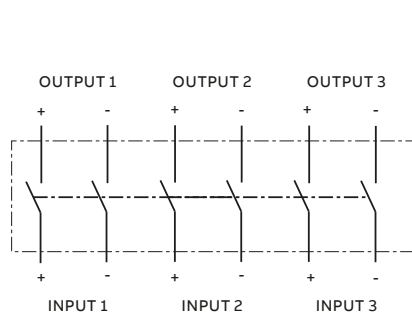
## OTDC16...32, 1000 VDC



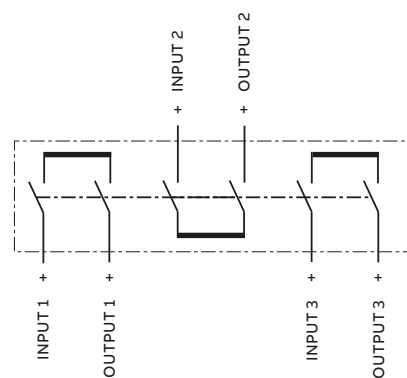
OTDC16...32U6

### Triple circuit

Number of poles	Rated operat. current [A]		Type	Order code	Weight/unit [kg]
	660 VDC	1000 VDC			
6	16	10	OTDC16U6	1SCA134371R1001	0.15
6	16	-	OTDC16US6	1SCA134374R1001	0.15
6	25	-	OTDC25U6	1SCA141960R1001	0.15
6	32	-	OTDC32U6	1SCA141963R1001	0.15



Triple circuit, U types



Triple circuit, US types

**OTDC16...32U\_T**

Touch-safe IP20 protected terminal clamps included. Types OTDC16...32US include pre-mounted jumper OZXY86. Shafts and handles to be ordered separately.



OTDC16...32UT2,  
OTDC16...32UST2



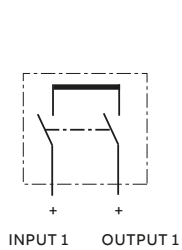
OTDC16...32UT4,  
OTDC16...32UST4

—  
**Single circuit - up to 1000 VDC**

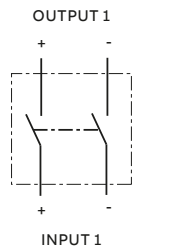
Number of poles	Rated operat. current [A]		Type	Order code	Weight/unit [kg]
	660 VDC	1000 VDC			
2	16	10	OTDC16UT2	1SCA134387R1001	0.15
2	25	16	OTDC25UT2	1SCA134388R1001	0.15
2	16	-	OTDC16UST2	1SCA134581R1001	0.15
2	25	-	OTDC25UST2	1SCA134578R1001	0.15
2	32	-	OTDC32UT2	1SCA141966R1001	0.15

—  
**Double circuit - up to 1000 VDC**

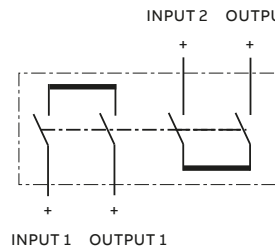
Number of poles	Rated operat. current [A]		Type	Order code	Weight/unit [kg]
	660 VDC	1000 VDC			
4	16	10	OTDC16UT4	1SCA134390R1001	0.15
4	25	16	OTDC25UT4	1SCA134391R1001	0.15
4	32	20	OTDC32UT4	1SCA136705R1001	0.15
4	16	-	OTDC16UST4	1SCA134582R1001	0.15
4	25	-	OTDC25UST4	1SCA134579R1001	0.15
4	32	-	OTDC32UST4	1SCA136706R1001	0.15



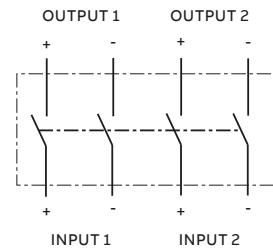
—  
Single circuit, US types



—  
Single circuit, U types



—  
Double circuit, US types



—  
Double circuit, U types

# Ordering information, IEC

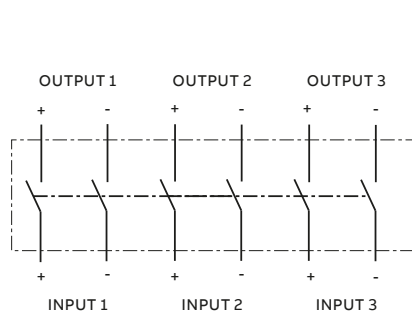
## OTDC16...32, 1000 VDC



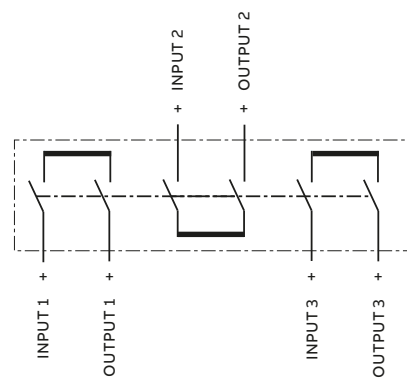
OTDC16...32UT6,  
OTDC16...32UST6

Triple circuit - up to 1000 VDC

Number of poles	Rated operat. current [A]		Type	Order code	Weight/unit [kg]
	660 VDC	1000 VDC			
6	16	10	OTDC16UT6	1SCA134580R1001	0.15
6	16	-	OTDC16UST6	1SCA134583R1001	0.15



Triple circuit, U types



Triple circuit, US types



# Ordering information, IEC

## OTDCP16...32, 1000 VDC

### Plastic enclosed switch-disconnectors OTDCP\_, IEC

M20 threaded knock-outs, compression glands have to be ordered separately.

M16 threaded knock-outs available on request.



OTDCP\_SA\_



OTDCP\_S\_M20

#### Up to 660 VDC

Number of poles	Rated operat. current [A] DC 21B / 660 V	Type	Order code	Weight/unit [kg]
-----------------	---	------	------------	------------------

#### Includes red-yellow selector handle (I-0 and ON-OFF indication)

2	16	OTDCP16SA11M	1SCA125126R1001	0.55
2	25	OTDCP25SA11M	1SCA125127R1001	0.55
2	32	OTDCP32SA11M	1SCA125128R1001	0.55

#### Includes black selector handle (I-0 and ON-OFF indication)

2	16	OTDCP16S11M	1SCA125129R1001	0.55
2	25	OTDCP25S11M	1SCA125130R1001	0.55
2	32	OTDCP32S11M	1SCA125131R1001	0.55

#### Up to 1000 VDC

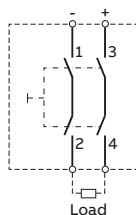
Number of poles	Rated operat. current [A] DC 21B / 1000 V	Type	Order code	Weight/unit [kg]
-----------------	--	------	------------	------------------

#### Includes red-yellow selector handle (I-0 and ON-OFF indication)

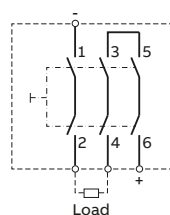
3	16	OTDCP16SA12M	1SCA125150R1001	0.55
3	25	OTDCP25SA12M	1SCA125151R1001	0.55
3	32	OTDCP32SA12M	1SCA125152R1001	0.55

#### Includes black selector handle (I-0 and ON-OFF indication)

3	16	OTDCP16S12M	1SCA125153R1001	0.59
3	25	OTDCP25S12M	1SCA125154R1001	0.59
3	32	OTDCP32S12M	1SCA125155R1001	0.59



OTDCP\_11\_



OTDCP\_12\_

# Ordering information, IEC

## OTDCP16...32, 1000 VDC



OTDCP\_S\_M25

—  
Up to 1000 VDC or 2x660 VDC

Number of poles	Rated operat. current [A]		Type	Order code	Weight/unit [kg]
	DC 21B / 1000 V				

Includes red-yellow selector handle (I-0 and ON-OFF indication). The \_M25 versions have M25 threaded knockouts

4	16		OTDCP16SA22M	1SCA125094R1001	0.63
4	25		OTDCP25SA22M	1SCA125091R1001	0.63
4	32		OTDCP32SA22M	1SCA125090R1001	0.63
4	16		OTDCP16SA22M25	1SCA144900R1001	0.63
4	25		OTDCP25SA22M25	1SCA144902R1001	0.63
4	32		OTDCP32SA22M25	1SCA144904R1001	0.63

Includes black selector handle (I-0 and ON-OFF indication)

4	16		OTDCP16S22M	1SCA125095R1001	0.63
4	25		OTDCP25S22M	1SCA125092R1001	0.63
4	32		OTDCP32S22M	1SCA125093R1001	0.63

—  
Double circuit

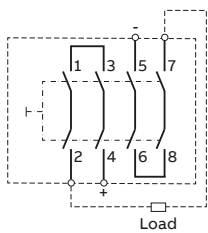
Number of poles	Rated operat. current [A]			Type	Order code	Weight/unit [kg]
	DC 21B / 660 V	DC 21B / 1000 V				

Includes red-yellow selector handle (I-0 and ON-OFF indication)

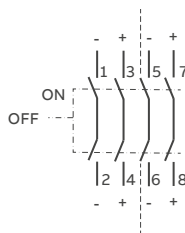
4	16	10	OTDCP16SA22MD	1SCA131850R1001	0.63
4	25	16	OTDCP25SA22MD	1SCA131851R1001	0.63
4	32	20	OTDCP32SA22MD	1SCA131852R1001	0.63

Includes black selector handle (I-0 and ON-OFF indication)

4	16	10	OTDCP16S22MD	1SCA131730R1001	0.63
4	25	16	OTDCP25S22MD	1SCA131731R1001	0.63
4	32	20	OTDCP32S22MD	1SCA131732R1001	0.63



OTDCP\_22\_



OTDCP\_22MD

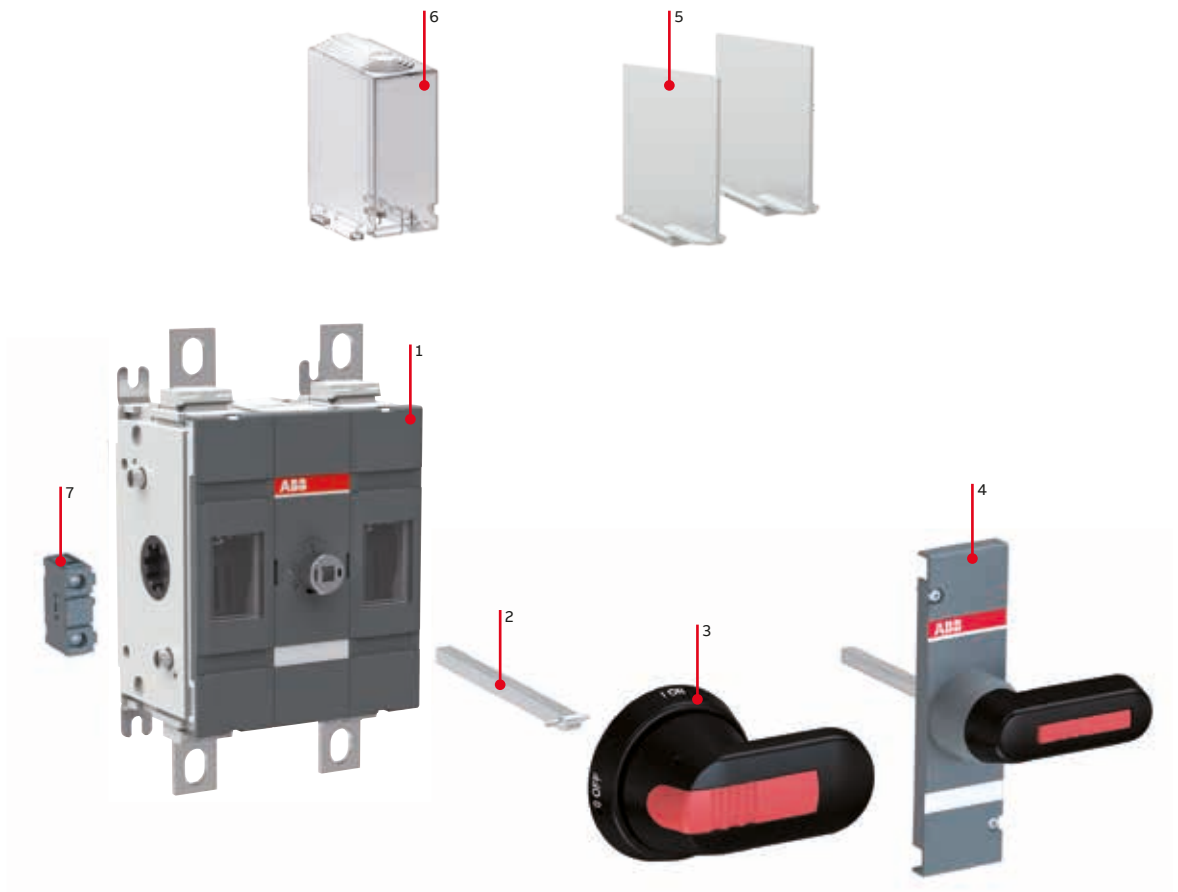
# Ordering information, IEC

## OTDC100...250, 1000 VDC

### DC switch-disconnectors accessory guide

1. Switch-disconnector
2. Shaft
3. Pistol handle
4. Direct mount handle
5. Phase barriers
6. Terminal shroud
7. Auxiliary contact

Please note that not all listed accessories are automatically included in your order.  
See next page for recommendations.



NOTE: The information in this image applies to both IEC and UL versions of the depicted product.

# Ordering information, IEC

## OTDC100...250, 1000 VDC



OTDC100...250E02



OTDC100...250E11



OTDC100...250E11

**Single circuit, 1000 VDC, IEC - 100...250 A**

Shafts and handles are not included. Switches with external handle (OTDC\_P, e.g. OTDC200E02P) or direct mount handle (OTDC\_K, e.g.OTDC200E02K) are available.

Number of poles	Circuit	Rated operat. current [A]		Type	Order code	Weight/unit [kg]
		DC 21 / 1000 V				
<b>Front operated, mechanism at the end of the switch</b>						
2	2a, 2b	100		OTDC100E02	1SCA125822R1001	1.1
2	2a, 2b	160		OTDC160E02	1SCA125840R1001	1.1
2	2a, 2b	200		OTDC200E02	1SCA123687R1001	1.1
2	2a, 2b	250		OTDC250E02	1SCA125866R1001	1.1

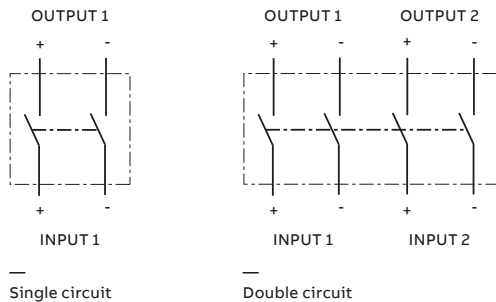
**Front operated, mechanism between the poles. OTDC\_EPP types include pre-mounted connection bars**

2	2a, 2b	100		OTDC100E11	1SCA125821R1001	1.1
2	2a, 2b	160		OTDC160E11	1SCA123745R1001	1.1
2	2a, 2b	200		OTDC200E11	1SCA125626R1001	1.1
2	2a, 2b	250		OTDC250E11	1SCA125865R1001	1.1

**Double circuit, 1000 VDC, IEC - 100...250 A**

The switches OTDC\_E22 can be used for double circuit applications. Shafts and handles are not included. Switches with external handle (OTDC\_P, e.g. OTDC200E22P) or direct mount handle (OTDC\_K, e.g. OTDC200E22K) are available.

Number of poles	Circuit	Rated operat. current [A]		Type	Order code	Weight/unit [kg]
		DC 21 / 1000 V				
<b>Mechanism between the poles</b>						
2x2	4a, 4c	100		OTDC100E22	1SCA125824R1001	1.9
2x2	4a, 4c	160		OTDC160E22	1SCA125844R1001	1.9
2x2	4a, 4c	200		OTDC200E22	1SCA125856R1001	1.9
2x2	4a, 4c	250		OTDC250E22	1SCA125869R1001	1.9





OTDC100...200E33

**Triple circuit, 1000 VDC, IEC - 100...250 A**

The switches OTDC\_E22 can be used for double circuit applications. Shafts and handles are not included. Switches with external handle (OTDC\_P, e.g. OTDC200E22P) or direct mount handle (OTDC\_K, e.g. OTDC200E22K) are available.

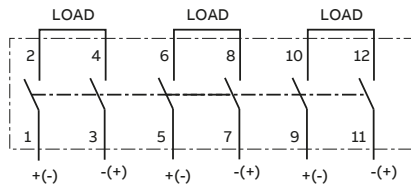
Number of poles	Circuit	Rated operat. current [A]		Type	Order code	Weight/unit [kg]
		DC 21 / 1000 V				

**Mechanism between the poles**

3x2	7a, 7e	100	OTDC100E33	1SCA149066R1001	2.8
3x2	7a, 7e	160	OTDC160E33	1SCA149065R1001	2.8
3x2	7a, 7e	200	OTDC200E33	1SCA149067R1001	2.8

**Recommended shafts, handles and bolt kits**

Suitable for switches	Shaft	Handle	Bolt kit
OTDC100...250	OXp6X210	OHB65J6	M8x25
OTDC100...250	-	OTDV250EK	M8x25



Triple circuit

NOTE: The complete list of available accessories can be found in the Accessories section starting on page 59.

# Ordering information, IEC

## OTDC100...200, 1500 VDC



OTDC100...250E02

**Single circuit, 1500 VDC, IEC - 100...200 A**

The switches OTDC\_EV22 can be used for single circuit 1500VDC applications. Shafts and handles are not included. Phase barriers included.

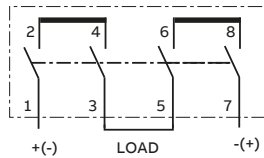
Number of poles	Circuit	Rated operat. current [A]		Type	Order code	Weight/unit [kg]
		DC 21 / 1000 V				

**OTDC100...200EV22 - Mechanism between the poles**

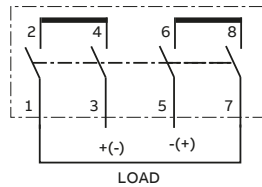
2x2	6a, 6b	100	OTDC100EV22	1SCA149073R1001	2.3
2x2	6a, 6b	160	OTDC160EV22	1SCA149080R1001	2.3
2x2	6a, 6b	200	OTDC200EV22	1SCA149081R1001	2.3

**Recommended shafts, handles and bolt kits**

Suitable for switches	Shaft	Handle	Bolt kit
OTDC100...250	OSP6X210	OHB65J6	M8x25
OTDC100...250	-	OTDV250EK	M8x25



Single circuit  
Connection 6a



Single circuit  
Connection 6b

NOTE: The complete list of available accessories can be found in the Accessories section starting on page 59.

# Ordering information, IEC

## OTDC315...500, 1000 VDC



OTDC315...500E02



OTDC315...500E11

### Single circuit, 1000 VDC, IEC - 315...500 A

Shafts and handles are not included. Switches with external handle (OTDC\_P, e.g. OTDC400E02P) or direct mount handle (OTDC\_K, e.g. OTDC400E02K) are available. Phase barriers are included in types OTDC315...500E02 - installation mandatory.

Number of poles	Circuit	Rated operat. current [A]		Type	Order code	Weight/unit [kg]
		DC 21 / 1000 V				

#### Front operated, mechanism at the end of the switch

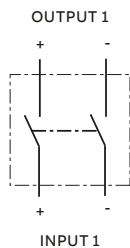
2	2a, 2b	315		OTDC315E02	1SCA132337R1001	4.3
2	2a, 2b	400		OTDC400E02	1SCA132349R1001	4.3
2	2a, 2b	500		OTDC500E02	1SCA132357R1001	4.3

#### Front operated, mechanism between the poles. OTDC\_EPP types include pre-mounted connection bars

2	2a, 2b	315		OTDC315E11	1SCA130982R1001	4.3
2	2a, 2b	400		OTDC400E11	1SCA130983R1001	4.3
2	2a, 2b	500		OTDC500E11	1SCA132135R1001	4.3

#### Recommended shafts, handles and bolt kits

Suitable for switches	Shaft	Handle	Bolt kit
OTDC315...400	OX P12x185	OHB95J12	M10x30
OTDC500	OX P12x185	OHB95J12	M12x40
OTDC315...400	-	OTDV400EK	M10x30
OTDC500	-	OTDV400EK	M12x40



Single circuit

NOTE: The complete list of available accessories can be found in the Accessories section starting on page 59.

# Ordering information, IEC

## OTDC315...500, 1000 VDC



OTDC315...500E22

### Double circuit and load side combining, 1000 VDC, IEC - 315...500 A

The switches OTDC\_U22 can be used for double circuit applications or to create a combined output up to 1000 A. Shafts and handles are not included. Switches with external handle (OTDC\_P, e.g. OTDC400E22P) or direct mount handle (OTDC\_K, e.g. OTDC400E22K). Phase barriers are included. The connection kit for load side combining should be ordered separately.

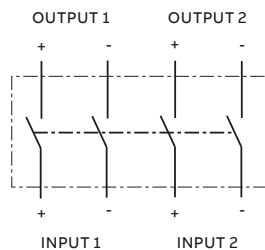
Number of poles	Circuit	Rated operat. current [A]		Type	Order code	Weight/unit [kg]
		DC 21 / 1000 V				

### Mechanism between the poles

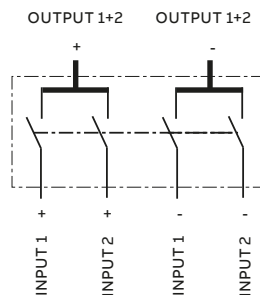
Number of poles	Circuit	Rated operat. current [A]	Type	Order code	Weight/unit [kg]
2x2	4a, 6d	315	OTDC315E22	1SCA131001R1001	6.6
2x2	4a, 6d	400	OTDC400E22	1SCA131036R1001	6.6
2x2	4a, 6d	500	OTDC500E22	1SCA132142R1001	7

### Recommended shafts, handles and bolt kits

Suitable for switches	Shaft	Handle	Bolt kit
OTDC315...400	EXP12x185	OHB95J12	M10x30
OTDC500	EXP12x185	OHB95J12	M12x40
OTDC315...400	-	OTDV400EK	M10x30
OTDC500	-	OTDV400EK	M12x40



Double circuit



Load side combining

NOTE: The complete list of available accessories can be found in the Accessories section starting on page 59.





OTDC315...500E33

**Triple circuit and load side combining, up to 1000 VDC, IEC - 315...500 A**

The switches OTDC\_E33 can be used for triple circuit applications or to create a combined output up to 1500 A. Shafts and handles are not included. Switches with external handle (OTDC\_P, e.g. OTDC400E33P) or direct mount handle (OTDC\_K, e.g. OTDC400E33K) are available. Phase barriers included. Connection kits for load combining should be ordered separately.

Number of poles	Circuit	Rated operat. current [A]		Type	Order code	Weight/unit [kg]
		DC 21 / 1000 V				

**Mechanism between the poles**

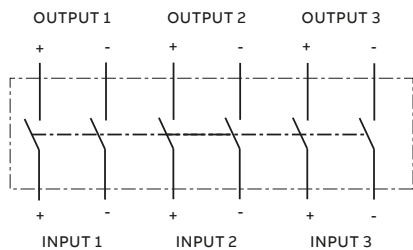
Number of poles	Circuit	Rated operat. current [A]	Type	Order code	Weight/unit [kg]
2x3	7a, 7e, 7d	315	OTDC315E33	1SCA137230R1001	6.6
2x3	7a, 7e, 7d	400	OTDC400E33	1SCA137231R1001	6.6
2x3	7a, 7e, 7d	500	OTDC500E33	1SCA137234R1001	6.6

**Recommended shafts, handles and bolt kits**

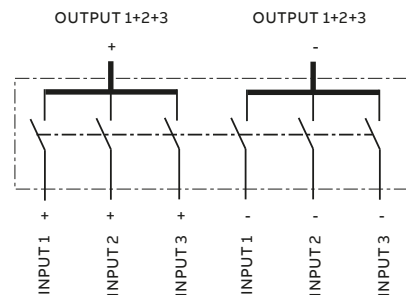
Suitable for switches	Shaft	Handle	Bolt kit
OTDC315...400	OX P12x185	OHB145J12	M10x30
OTDC500	OX P12x185	OHB145J12	M12x40
OTDC315...400	-	OTDV400EK	M10x30
OTDC500	-	OTDV400EK	M12x40

**Required connection kits and shrouds for load side combining**

Suitable for switches	Connection kit	Shroud
OTDC315...500	OTDCKIT400B111	OTDCS400T3L



Triple circuit



Load side combining

NOTE: The complete list of available accessories can be found in the Accessories section starting on page 59.

# Ordering information, IEC

## OTDC315...500, 1500 VDC



OTDC315...500EV12

### Single circuit, 1500 VDC, IEC - 315...500 A

Shafts and handles are not included. Switches with external handle (OTDC\_P, e.g. OTDC400EV12P) or direct mount handle (OTDC\_K, e.g. OTDC400EV12K) are available. Phase barriers included.

Number of poles	Circuit	Rated operat. current [A]		Type	Order code	Weight/unit [kg]
		DC 21 / 1500 V				

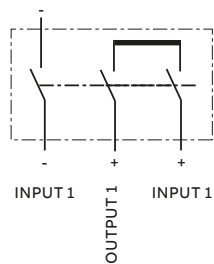
### Mechanism between the poles, single circuit. Pre-mounted connection bar

Number of poles	Circuit	Rated operat. current [A]	Type	Order code	Weight/unit [kg]
3	5a	315	OTDC315EV12	1SCA132258R1001	5.1
3	5a	400	OTDC400EV12	1SCA132256R1001	5.1
3	5a	500	OTDC500EV12	1SCA132257R1001	5.1

### Recommended shafts, handles and bolt kits

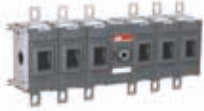
Suitable for switches	Shaft	Handle	Bolt kit
OTDC315...400	OX P12x185	OHB95J12	M10x30
OTDC500	OX P12x185	OHB95J12	M12x40
OTDC315...400	-	OTDV400EK	M10x30
OTDC500	-	OTDV400EK	M12x40

OUTPUT 1



Single PV circuit

NOTE: The complete list of available accessories can be found in the Accessories section starting on page 59.



OTDC315...500E33

**Double circuit, 1500 VDC, IEC - 315...500 A**

Shaft, handles and connection kit are not included. Switches with external handle (OTDC\_P, e.g. OTDC400EV12P) or direct mount handle (OTDC\_K, e.g. OTDC400EV12K) are available. Phase barriers included.

Number of poles	Circuit	Rated operat. current [A]		Type	Order code	Weight/unit [kg]
		DC 21 / 1500 V				

**Mechanism between the poles.**

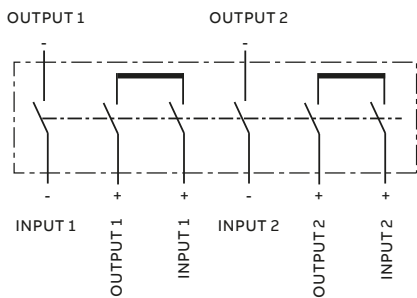
Number of poles	Circuit	Rated operat. current [A]	Type	Order code	Weight/unit [kg]
2x3	7b, 7g	315	OTDC315E33	1SCA137230R1001	10.4
2x3	7b, 7g	400	OTDC400E33	1SCA137231R1001	10.4
2x3	7b, 7g	500	OTDC500E33	1SCA137234R1001	10.4

**Recommended shafts, handles and bolt kits**

Suitable for switches	Shaft	Handle	Bolt kit
OTDC315...400	OX P12x185	OHB145J12	M10x30
OTDC500	OX P12x185	OHB145J12	M12x40
OTDC315...400	-	OTDV400EK	M10x30
OTDC500	-	OTDV400EK	M12x40

**Required connection kits and shrouds**

Suitable for switches	Connection kit	Shroud
OTDC315...500	OTDCKIT400S11	OTDCS400G2B



Double PV circuit

NOTE: The complete list of available accessories can be found in the Accessories section starting on page 59.

# Ordering information, IEC

## OTDC630...800, 1000 VDC



OTDC630...800EPP22

### Single circuit, 1000 VDC, IEC - 630...800 A

Shafts and handles are not included. Switches with external handle (OTDC\_P, e.g. OTDC630EPP22P) or direct mount handle (OTDC\_K, e.g. OTDC630EPP22K) are available. Includes pre-mounted connection bars.

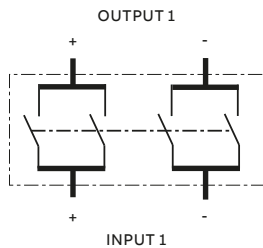
Number of poles	Circuit	Rated operat. current [A]		Type	Order code	Weight/unit [kg]
		DC 21 / 1000 V				

Front operated, mechanism between the poles. OTDC\_EPP types include pre-mounted connection bars.

2x2	6c	630	OTDC630EPP22	1SCA137205R1001	7
2x2	6c	800	OTDC800EPP22	1SCA137210R1001	7

### Recommended shafts, handles and bolt kits

Suitable for switches	Shaft	Handle	Bolt kit
OTDC630...800	OX P12x185	OHB95J12	M12x40
OTDC630...800	-	OTDV400EK	M12x40



Single circuit

NOTE: The complete list of available accessories can be found in the Accessories section starting on page 59.

# Ordering information, IEC

## OTDC1000...1600, 1000 VDC



OTDC1000...1600E22



OTDC1000...1250E22



OTDC1600E22

### Single circuit, 1000 VDC, IEC - 1000 to 1600 A

Front operated, mechanism at the end of the switch. Switches with external handle (OTDC\_P, e.g. OTDC1600E22P) or direct mount handle (OTDC\_K, e.g. OTDC1600E22K) are available. Phase barriers included. Included terminal bolts: M12X60.

Number of poles	Circuit	Rated operat. current [A]		Type	Order code	Weight/unit [kg]
		DC 21 / 1000 V				

#### Handle and shaft not included

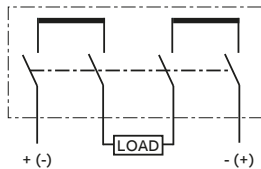
4	6a, 6b	1000		OTDC1000E22	1SCA142337R1001	21
4	6a, 6b	1250		OTDC1250E22	1SCA140871R1001	21
4	6a, 6b	1600		OTDC1600E22	1SCA143718R1001	21

#### External handle OHB274J12 and shaft OXP12X280 included

4	6a, 6b	1000		OTDC1000E22P	1SCA143711R1001	21
4	6a, 6b	1250		OTDC1250E22P	1SCA143717R1001	21
4	6a, 6b	1600		OTDC1600E22P	1SCA143720R1001	21

#### Direct mount handle OTV1000EK included

4	6a, 6b	1000		OTDC1000E22K	1SCA143710R1001	21
4	6a, 6b	1250		OTDC1250E22K	1SCA143716R1001	21
4	6a, 6b	1600		OTDC1600E22K	1SCA143719R1001	21



Single circuit



# Ordering information, UL

## OTDC16...32, 1000 VDC

### DC switch-disconnectors accessory guide

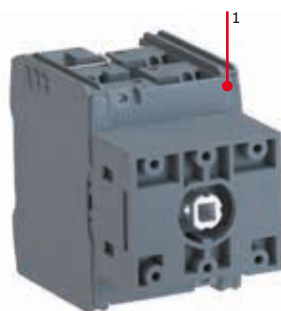
1. Switch-disconnector
2. Shaft
3. Selector handle (options for direct mount or external mount with a shaft available)
4. Legend plate

Please note that not all listed accessories are automatically included in your order.

See next page for recommendations.



— Base mounted



— Door mounted



NOTE: The information in this image applies to both IEC and UL versions of the depicted product.

# Ordering information, UL

## OTDC16...32, 1000 VDC

### Switch-disconnectors OTDC\_, base or DIN-rail mounting, UL

Touch-safe IP20 protected terminal clamps included. Types OTDC16...32US include pre-mounted jumper. Shafts and handles to be ordered separately.



OTDC16...32U2



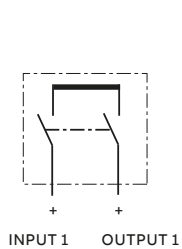
OTDC16...32U4

#### Single circuit

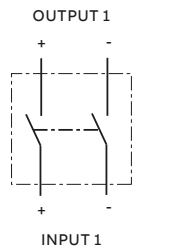
Number of poles	Rated operat. current [A]			Type	Order code	Weight/unit [kg]
	UL	IEC				
	600 VDC	660 VDC	1000 VDC			
2	16	16	10	OTDC16U2	1SCA134369R1001	0.15
2	25	25	16	OTDC25U2	1SCA134375R1001	0.15
2	32	32	-	OTDC32U2	1SCA141976R1001	0.15
2	16	16	-	OTDC16US2	1SCA134372R1001	0.15
2	25	25	-	OTDC25US2	1SCA134378R1001	0.15

#### Double circuit

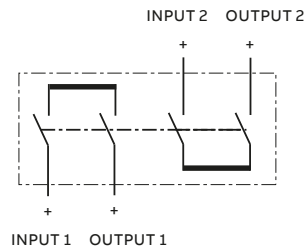
Number of poles	Rated operat. current [A]			Type	Order code	Weight/unit [kg]
	UL	IEC				
	600 VDC	660 VDC	1000 VDC			
4	16	16	10	OTDC16U4	1SCA134370R1001	0.15
4	25	25	16	OTDC25U4	1SCA134377R1001	0.15
4	32	32	20	OTDC32U4	1SCA136703R1001	0.15
4	16	16	-	OTDC16US4	1SCA134373R1001	0.15
4	25	25	-	OTDC25US4	1SCA134379R1001	0.15
4	32	32	-	OTDC32US4	1SCA136704R1001	0.15



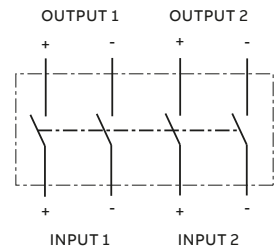
Single circuit, US types



Single circuit, U types



Double circuit, US types



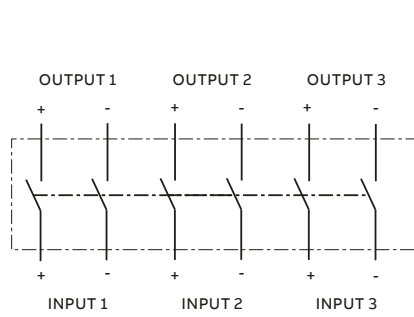
Double circuit, U types



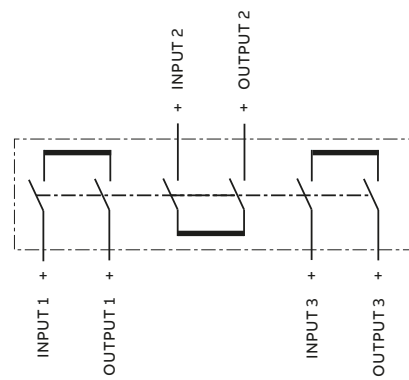


—  
**Triple circuit**

Number of poles	Rated operat. current [A]			Type	Order code	Weight/unit [kg]
	UL	IEC				
	600 VDC	660 VDC	1000 VDC			
6	16	16	10	OTDC16U6	1SCA134371R1001	0.15
6	16	16	-	OTDC16US6	1SCA134374R1001	0.15
6	25	25	-	OTDC25U6	1SCA141960R1001	0.15
6	32	32	-	OTDC32U6	1SCA141963R1001	0.15



—  
Triple circuit, U types



—  
Triple circuit, US types

# Ordering information, UL

## OTDC16...32U\_T, 1000 VDC

### OTDC16...32U\_T

Touch-safe IP20 protected terminal clamps included. Types OTDC16...32US include pre-mounted jumper OEZXY86. Shafts and handles to be ordered separately.



OTDC16...32UT2,  
OTDC16...32UST2



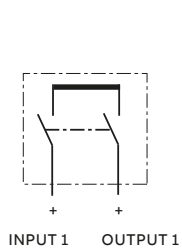
OTDC16...32UT4,  
OTDC16...32UST4

#### Single circuit - up to 1000 VDC

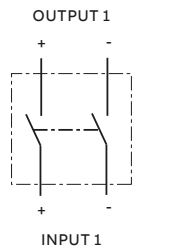
Number of poles	Rated operat. current [A]			Type	Order code	Weight/unit [kg]
	UL	IEC				
	600 VDC	660 VDC	1000 VDC			
2	16	16	10	OTDC16UT2	1SCA134387R1001	0.15
2	25	25	16	OTDC25UT2	1SCA134388R1001	0.15
2	16	16	-	OTDC16UST2	1SCA134581R1001	0.15
2	25	25	-	OTDC25UST2	1SCA134578R1001	0.15
2	32	32	-	OTDC32UT2	1SCA141966R1001	0.15

#### Double circuit - up to 1000 VDC

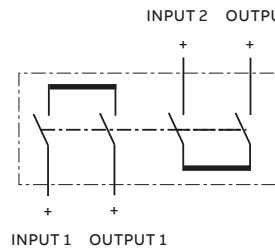
Number of poles	Rated operat. current [A]			Type	Order code	Weight/unit [kg]
	UL	IEC				
	600 VDC	660 VDC	1000 VDC			
4	16	16	10	OTDC16UT4	1SCA134390R1001	0.15
4	25	25	16	OTDC25UT4	1SCA134391R1001	0.15
4	32	32	20	OTDC32UT4	1SCA136705R1001	0.15
4	16	16	-	OTDC16UST4	1SCA134582R1001	0.15
4	25	25	-	OTDC25UST4	1SCA134579R1001	0.15
4	32	32	-	OTDC32UST4	1SCA136706R1001	0.15



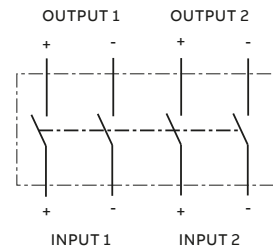
Single circuit, US types



Single circuit, U types



Double circuit, US types



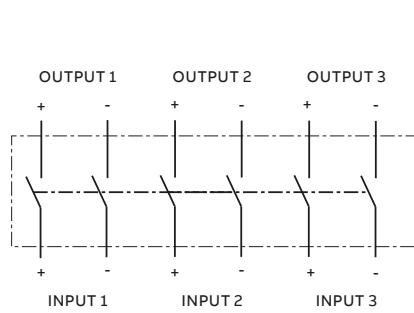
Double circuit, U types



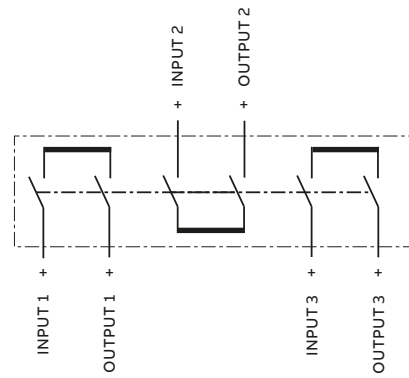
OTDC16...32UT6,  
OTDC16...32UST6

Triple circuit - up to 1000 VDC

Number of poles	Rated operat. current [A]			Type	Order code	Weight/unit [kg]
	UL	IEC				
	600 VDC	660 VDC	1000 VDC			
6	16	16	10	OTDC16UT6	1SCA134580R1001	0.15
6	16	16	-	OTDC16UST6	1SCA134583R1001	0.15



Triple circuit, U types



Triple circuit, US types

# Ordering information, UL

## OTDC100...245, 1000 VDC



**Single circuit, 1000 VDC, UL98B - 100...250 A**

Shafts and handles are not included. Switches with direct mount handle (OTDC\_K, e.g. OTDC100E02K) are available. Phase barriers are included in types OTDC100...200E02 - installation mandatory.

Number of poles	Circuit	Rated operat. current [A]		Type	Order code	Weight/unit [kg]
		DC 21 / 1000 V				

**Front operated, mechanism at the end of the switch. OTDC\_US types include pre-mounted jumpers**

2	1a, 1b	100		OTDC100US02	1SCA126155R1001	1.2
2	1a, 1b	200		OTDC200US02	1SCA126121R1001	1.2
2	1a, 1b	250		OTDC245US02	1SCA149106R1001	1.2
2	2a, 2b	100		OTDC100U02	1SCA126184R1001	1.1
2	2a, 2b	200		OTDC200U02	1SCA126123R1001	1.1
2	2a, 2b	250		OTDC245U02	1SCA149100R1001	1.1

OTDC100...200US02



OTDC100U...200US11

**Front operated, mechanism between the poles. OTDC\_US types include pre-mounted jumpers**

2	1a, 1b	100		OTDC100US11	1SCA125437R1001	1.2
2	1a, 1b	200		OTDC200US11	1SCA125436R1001	1.2
2	1a, 1b	250		OTDC245US11	1SCA149108R1001	1.2
2	2a, 2b	100		OTDC100U11	1SCA123957R1001	1.1
2	2a, 2b	200		OTDC200U11	1SCA123767R1001	1.1
2	2a, 2b	250		OTDC245U11	1SCA149102R1001	1.1

OTDC100...180US22



**Double circuit, 1000 VDC, UL98B - 100...200 A**

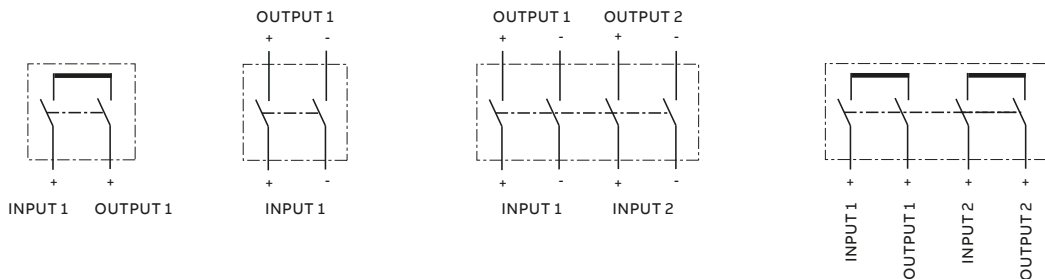
The switches OTDC\_U22 and OTDCUS22 can be used for double circuit applications. Shafts and handles are not included. Switches with direct mount handle (OTDC\_K, e.g. OTDC180U22K) are available. Phase barriers are included.

Number of poles	Circuit	Rated operat. current [A]		Type	Order code	Weight/unit [kg]
		UL98B / 1000 V				

**Mechanism between the poles**

2x2	3, 6f	100		OTDC100US22	1SCA126181R1001	2.5
2x2	3, 6f	180		OTDC180US22	1SCA126942R1001	2.5
2x2	3, 6f	200		OTDC200US22	1SCA126189R1001	2.5
2x2	4a, 6d	100		OTDC100U22	1SCA126180R1001	2.3
2x2	4a, 6d	180		OTDC180U22	1SCA126941R1001	2.3
2x2	4a, 6d	200		OTDC200U22	1SCA126129R1001	2.3

OTDC100...200U22



Single circuit, US types

Single circuit, U types

Double circuit, U types

Double circuit, US types



**Triple circuit, 1000 VDC, UL98B - 100...200 A**

The switches OTDC\_U33 and OTDCUS33 can be used for triple circuit applications. Shafts and handles are not included. Switches with direct mount handle (OTDC\_K, e.g. OTDC180U22K) are available. Phase barriers are included.

Number of poles	Circuit	Rated operat. current [A]		Type	Order code	Weight/unit [kg]
		UL98B / 1000 V				

**Mechanism between the poles**

3x2	7i	100	OTDC100US33	1SCA149086R1001	3.2
3x2	7i	200	OTDC200US33	1SCA149087R1001	3.2
3x2	7a, 7e	100	OTDC100U33	1SCA149069R1001	2.8
3x2	7a, 7e	200	OTDC200U33	1SCA149090R1001	2.8

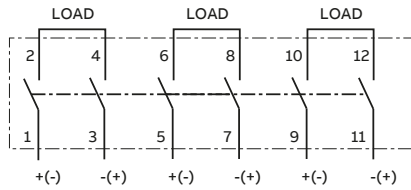
**Recommended shafts, handles and bolt kits**

Suitable for switches	Shaft	Handle	Bolt kit
OTDC100...245	OXp6X210	OHB65J6	M8x25
OTDC100...245	-	OTDV250EK	M8x25

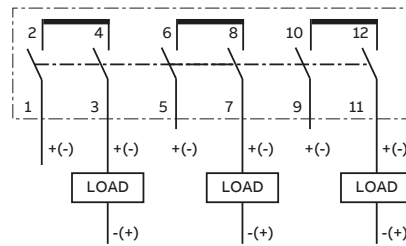
OTDC100...200US33



OTDC100...200U33



Triple circuit, U types



Triple circuit, US types

NOTE: The complete list of available accessories can be found in the Accessories section starting on page 59.

# Ordering information, UL

## OTDC100...245, 1000 VDC, side operated



OTDC100...200U20S



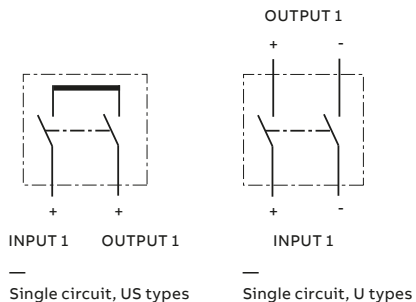
OTDC100...200US20S

—  
**Side operated, single circuit, 1000 VDC, UL98B - 100...250 A**  
 Side operation. Shafts and handles are not included. OTDC\_US types include pre-mounted jumper. The mechanism is located at the end of the switch.

Number of poles	Circuit	Rated operat. current [A]		Order code	Weight/unit [kg]
		UL98B / 1000 V	Type		
2	1a	100	OTDC100US20S	1SCA131541R1001	1.7
2	1a	200	OTDC200US20S	1SCA131549R1001	1.7
2	1a	250	OTDC245US20S	1SCA149115R1001	1.7
2	2a	100	OTDC100U20S	1SCA131540R1001	1.3
2	2a	200	OTDC200U20S	1SCA131548R1001	1.5
2	2a	200	OTDC245U20S	1SCA149113R1001	1.5

—  
**Recommended shafts, handles and bolt kits**

Suitable for switches	Shaft	Handle	Bolt kit
OTDC100...250	EXP6X210	OHB65JE005	M8x25



—  
 NOTE: The complete list of available accessories can be found in the Accessories section starting on page 59.

# Ordering information, UL

## OTDC100...200, 1500 VDC

**Single circuit, 1500 VDC, UL98B -100...200 A**

The switches OTDC\_UV22 and OTDC\_USV22 can be used for 1500VDC single circuit applications. Shafts and handles are not included. Phase barriers are included.



OTDC100...200UV22

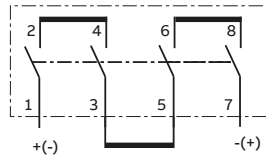


OTDC100...200USV22

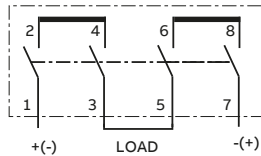
Number of poles	Circuit	Rated operat. current [A]		Type	Order code	Weight/unit [kg]
		UL98B / 1500 V				
<b>Mechanism between the poles</b>						
2x2	6a,6b	100		OTDC100UV22	1SCA149076R1001	2.3
2x2	6a,6b	200		OTDC200UV22	1SCA149077R1001	2.3
2x2	6m	100		OTDC100USV22	1SCA149095R1001	2.4
2x2	6m	200		OTDC200USV22	1SCA149097R1001	2.4

**Recommended shafts, handles and bolt kits**

Suitable for switches	Shaft	Handle	Bolt kit
OTDC100...200	OXp6X210	OHB65J6	M8x25
OTDC100...200	-	OTDV250EK	M8x25



Single circuit, US types



Single circuit, U types

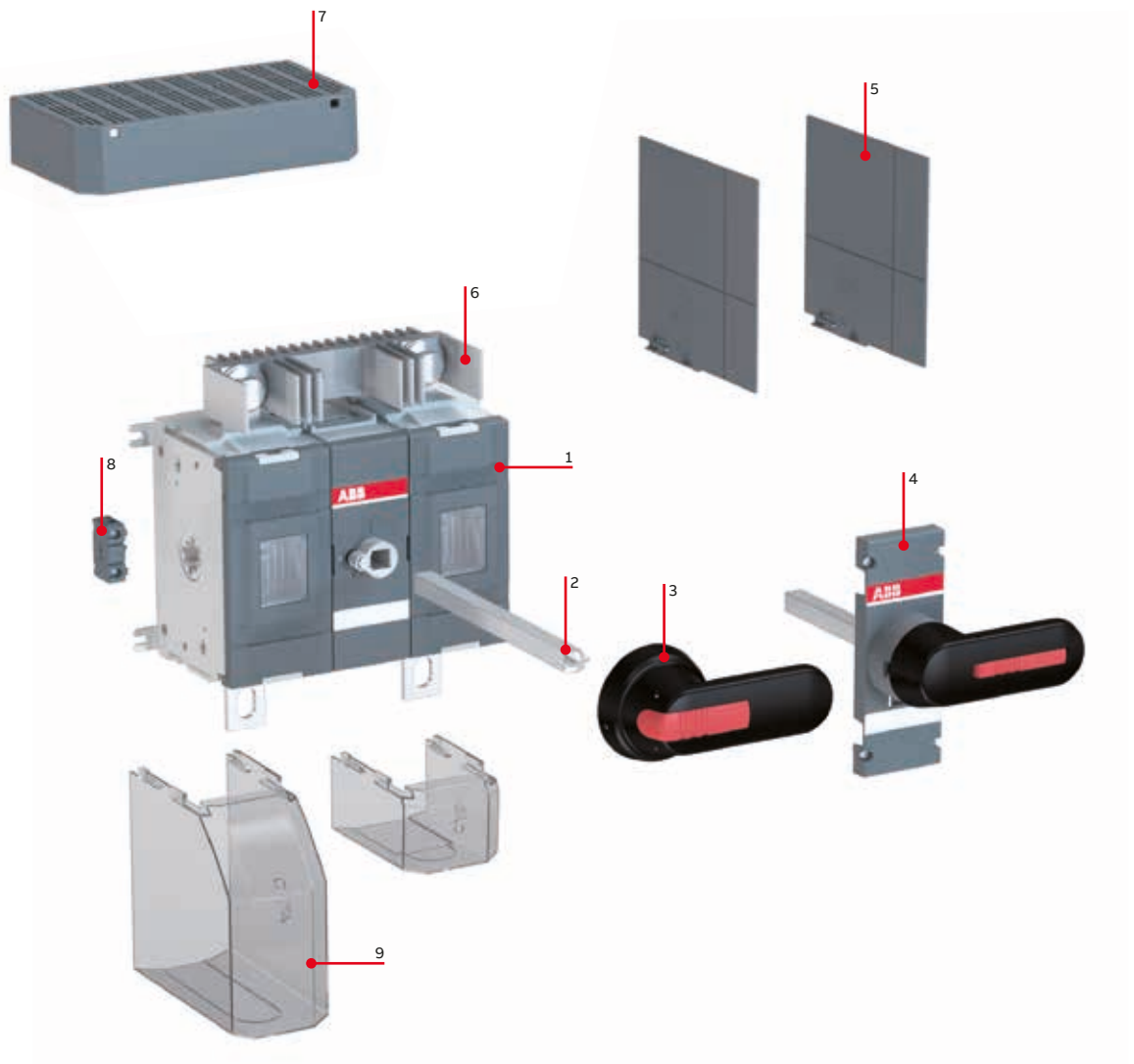
NOTE: The complete list of available accessories can be found in the Accessories section starting on page 59.

## Ordering information, UL OTDC250...400, 1000 VDC

### DC switch-disconnectors accessory guide

1. Switch-disconnector
2. Shaft
3. Pistol handle
4. Direct mount handle
5. Phase barriers
6. Jumper (for grounded systems)
7. Shroud
8. Auxiliary contact
9. Terminal shrouds

Please note that not all listed accessories are automatically included in your order.  
See next page for recommendations.







OTDC250...400US11



OTDC250...400U11

**Single circuit, 1000 VDC, UL98B - 250 to 400 A**

Shafts and handles are not included. Switches with direct mount handle (OTDC\_K, e.g. OTDC400E02K) are available. Phase barriers are included in types OTDC250...400E02 - installation mandatory.

Number of poles	Circuit	Rated operat. current [A]		Type	Order code	Weight/unit [kg]
		DC 21 / 1000 V				

**Front operated, mechanism at the end of the switch. OTDC\_US types include pre-mounted jumpers**

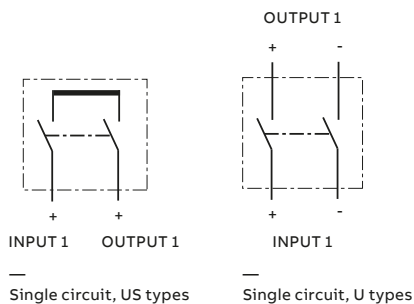
2	1a, 1b	250		OTDC250US02	1SCA132335R1001	4.4
2	1a, 1b	320		OTDC320US02	1SCA132345R1001	4.4
2	1a, 1b	400		OTDC400US02	1SCA132354R1001	4.4
2	2a, 2b	250		OTDC250U02	1SCA132330R1001	3.8
2	2a, 2b	320		OTDC320U02	1SCA132341R1001	3.8
2	2a, 2b	400		OTDC400U02	1SCA132352R1001	3.8

**Front operated, mechanism between the poles. OTDC\_US types include pre-mounted jumpers**

2	1a, 1b	250		OTDC250US11	1SCA131012R1001	4.4
2	1a, 1b	320		OTDC320US11	1SCA131013R1001	4.4
2	1a, 1b	400		OTDC400US11	1SCA131014R1001	4.4
2	2a, 2b	250		OTDC250U11	1SCA130985R1001	3.8
2	2a, 2b	320		OTDC320U11	1SCA130986R1001	3.8
2	2a, 2b	400		OTDC400U11	1SCA130990R1001	3.8

**Recommended shafts, handles and bolt kits**

Suitable for switches	Shaft	Handle	Bolt kit
OTDC250...320	OXPI2x185	OHB95J12	M10x30
OTDC400	OXPI2x185	OHB95J12	M12x40
OTDC250...320	-	OTDV400EK	M10x30
OTDC400	-	OTDV400EK	M12x40



NOTE: The complete list of available accessories can be found in the Accessories section starting on page 59.

# Ordering information, UL

## OTDC250...400, 1000 VDC



OTDC250...400US22



OTDC250...400U22

**Double circuit, 1000 VDC, UL98B -250...400 A**

The switches OTDC\_U22 and OTDCUS22 can be used for double circuit applications or to create a combined output up to 800 A. Shafts and handles are not included. Switches with direct mount handle (OTDC\_K, e.g. OTDC400U22K) are available. Phase barriers are included. The connection kit for load side combining should be ordered separately.

Number of poles	Circuit	Rated operat. current [A]		Type	Order code	Weight/unit [kg]
		UL98B / 1000 V				

**Mechanism between the poles**

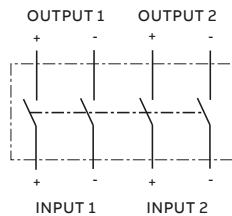
Number of poles	Circuit	Rated operat. current [A]	Type	Order code	Weight/unit [kg]
2X2	3, 6f	250	OTDC250US22	1SCA131030R1001	6.6
2X2	3, 6f	320	OTDC320US22	1SCA131032R1001	6.6
2X2	3, 6f	400	OTDC400US22	1SCA132300R1001	6.6
2X2	4a, 6d	250	OTDC250U22	1SCA131003R1001	6.6
2X2	4a, 6d	320	OTDC320U22	1SCA131006R1001	6.6
2X2	4a, 6d	400	OTDC400U22	1SCA131010R1001	6.6

**Recommended shafts, handles and bolt kits**

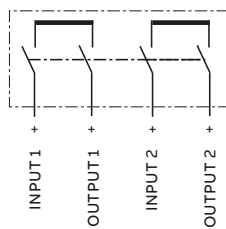
Suitable for switches	Shaft	Handle	Bolt kit
OTDC250...320	OX P12x185	OH B95J12	M10x30
OTDC400	OX P12x185	OH B95J12	M12x40
OTDC250...320	-	OT DV400EK	M10x30
OTDC400	-	OT DV400EK	M12x40

**Required connection kit and shrouds for load side combining**

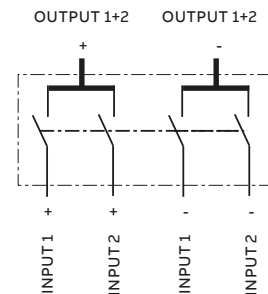
Suitable for switches	Connection kit	Shroud
OTDC250...400	OTDCKIT400B111	OTDCS400T2L



Double circuit, U types



Double circuit, US types



Load side combining

NOTE: The complete list of available accessories can be found in the Accessories section starting on page 59.

# Ordering information, UL

## OTDC250...400, 1000 VDC, side operated



OTDC250...400U20S

### Side operated, single circuit, 1000 VDC, UL98B - 250...400 A

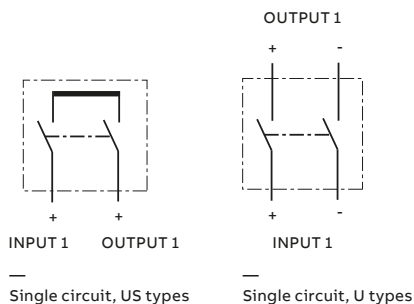
Side operated, mechanism at the end of the switch. OTDC\_US types include pre-mounted jumpers. Included terminal bolts:

- OTDC250...320: M10x30
- OTDC400: M12x40

Number of poles	Circuit	Rated operat. current [A]		Order code	Weight/unit [kg]
		UL98B / 1000 V	Type		
<b>Single circuit</b>					
2	1a	250	OTDC250US20S	1SCA135730R1001	4.4
2	1a	320	OTDC320US20S	1SCA135734R1001	4.4
2	1a	400	OTDC400US20S	1SCA135726R1001	4.4
2	2a	250	OTDC250U20S	1SCA135729R1001	3.8
2	2a	320	OTDC320U20S	1SCA135733R1001	3.8
2	2a	400	OTDC400U20S	1SCA135725R1001	3.8

### Recommended shafts, handles and bolt kits

Suitable for switches	Shaft	Handle	Bolt kit
OTDC250...320	OX P12x185	OHB95J12	M10x30
OTDC400	OX P12x185	OHB95J12	M12x40
OTDC250...320	-	OTDV400EK	M10x30
OTDC400	-	OTDV400EK	M12x40



NOTE: The complete list of available accessories can be found in the Accessories section starting on page 59.

# Ordering information, UL

## OTDC250...400, 1500 VDC



Single circuit, 1500 VDC, UL98B - 250...400 A  
Shaft and handles are not included. Phase barriers included.

Number of poles	Circuit	Rated operat. current [A] UL98B / 1000 V	Type	Order code	Weight/unit [kg]
-----------------	---------	--	------	------------	------------------

OTDC250...400UV12

**Mechanism between the poles**

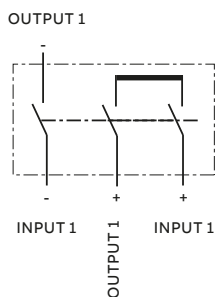
3	5a	250	OTDC250UV12	1SCA142255R1001	4.7
3	5a	320	OTDC320UV12	1SCA142256R1001	4.7
3	5a	400	OTDC400UV12	1SCA142257R1001	4.7
3	5c	250	OTDC250USV12	1SCA140833R1001	5.6
3	5c	320	OTDC320USV12	1SCA140835R1001	5.6
3	5c	400	OTDC400USV12	1SCA140834R1001	5.6



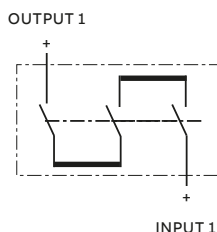
OTDC250USV12

**Recommended shafts, handles and bolt kits**

Suitable for switches	Shaft	Handle	Bolt kit
OTDC250...320	OX12x185	OHB95J12	M10x30
OTDC400	OX12x185	OHB95J12	M12x40
OTDC250...320	-	OTDV400EK	M10x30
OTDC400	-	OTDV400EK	M12x40



Single circuit, U types



Single circuit, US types

NOTE: The complete list of available accessories can be found in the Accessories section starting on page 59.

# Ordering information, UL

## OTDC600, 1000 VDC



OTDC600USPP22

**Single circuit, 1000 VDC, UL98B - 600 A**

Shafts and handles are not included. Switches with external handle (OTDC\_P, e.g. OTDC600UPP22P) or direct mount handle (OTDC\_K, e.g.OTDC600UPP22K) are available. Phase barriers included if mandatory. Includes pre-mounted connection bars.

Number of poles	Circuit	Rated operat. current [A]		Type	Order code	Weight/unit [kg]
		DC 21 / 1000 V				

**Front operated, mechanism between the poles. OTDC\_US and OTDC\_U\_PP types include pre-mounted jumpers**

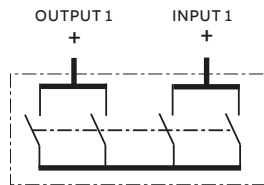
4	6e	600	OTDC600USPP22	1SCA137213R1001	7
4	6c	600	OTDC600UPP22	1SCA137207R1001	7



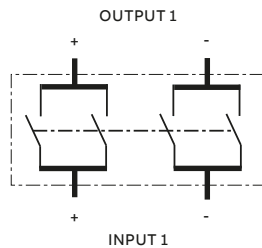
OTDC600UPP22

**Recommended shafts, handles and bolt kits**

Suitable for switches	Shaft	Handle	Bolt kit
OTDC600	OX P12x185	OHB95J12	M12x40
OTDC600	-	OTDV400EK	M12x40



Single circuit, US types



Single circuit, U types

NOTE: The complete list of available accessories can be found in the Accessories section starting on page 59.

# Ordering information, UL

## OTDC800...1000, 1000 VDC



OTDC800...1000U22



OTDC800...1000US22

### Single circuit, 1000 VDC, UL98B - 800 to 1000 A

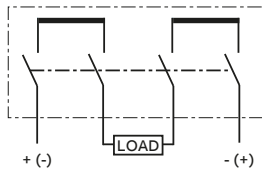
Shafts and handles are not included. Switches with direct handle OTV1000EK (OTDC\_K, e.g. OTDC400E02K) are available. Phase barriers are included if mandatory (phase barriers are included in types OTDC250...400E02 - installation mandatory). Included terminal bolts:

- OTDC800...1000: M12X60

Number of poles	Circuit	Rated operat. current [A]		Type	Order code	Weight/unit [kg]
		DC 21 / 1000 V				

### Front operated, mechanism between the poles. OTDC\_US and OTDC\_U\_PP types include pre-mounted jumpers

4	6a, 6b	800		OTDC800U22	1SCA142338R1001	21
4	6a, 6b	1000		OTDC1000U22	1SCA143712R1001	21
4	6a, 6b	800		OTDC800U22K	1SCA143721R1001	21
4	6a, 6b	1000		OTDC1000U22K	1SCA143713R1001	21
4	6m	800		OTDC800US22	1SCA142339R1001	21
4	6m	930		OTDC1000US22	1SCA143714R1001	21
4	6m	800		OTDC800US22K	1SCA143722R1001	21
4	6m	930		OTDC1000US22K	1SCA143715R1001	21



Single circuit

NOTE: The complete list of available accessories can be found in the Accessories section starting on page 59.

---

## Ordering information for accessories

<b>064</b>	<b>Handle knobs</b>
<b>065–069</b>	<b>Handles</b>
<b>070</b>	<b>Shafts</b>
<b>071</b>	<b>Phase separators and mounting feet</b>
<b>072</b>	<b>Auxiliary contacts</b>
<b>073</b>	<b>Connection bar kits</b>
<b>074–075</b>	<b>Terminal shrouds</b>
<b>076</b>	<b>Interlocks and terminal lugs</b>

# Ordering information for accessories

## Handle knobs

### Handle knobs for base and DIN rail mounted switches

Mounting directly to the switch, no shaft needed, for base and DIN-rail mounted switches Padlockable with one padlock with bail diameter 5 mm, see the table below.



OHBS11



OHRS21



OHRS31

Colour	Handle length [mm]	Type	Order code
<b>Suitable for switches OTDC16...32F, OTDC16...32U_</b>			
Black	31	OHBS1	1SCA109087R1001
Black	31	OHBS1/1	1SCA109088R1001
Red	31	OHR1	1SCA109095R1001
Red	31	OHR1/1	1SCA109096R1001

<b>Suitable for switches OTDC16...32F, OTDC16...32U_</b>			
Black	40	OHBS2	1SCA109089R1001
Black	40	OHBS2/1	1SCA109090R1001
Red	40	OHR2	1SCA108598R1001
Red	40	OHR2/1	1SCA108599R1001
Black	39	OHBS3	1SCA108320R1001
Black	39	OHBS3/1	1SCA108319R1001
Red	39	OHR3	1SCA108667R1001
Red	39	OHR3/1	1SCA108688R1001

### Special information for handle knobs

Handle type	Padlockable	Shaft through the handle	45 mm cut-out enable <sup>1)</sup>
OHBS1_, OHR1_	No	No	Yes
OHBS2_, OHR2_	Yes	No	Yes
OHBS3_, OHR3_	No	No	Yes

<sup>1)</sup> In I-position the handle shall remain within the cut-out height



# Ordering information for accessories

## Handles

### Selector handles, for door mounted switches

Indication I-O and ON-OFF. No separate shaft needed.



OHBS3PH



OHBS2PJ



OHYS3RH



OHYS2RJ

Colour	Type	Order code
<b>Snap-on mounting, door drilling 22,5 mm, for OTDC16...32FT and OTDC16...32U_T</b>		
<b>No padlocking, IP54, NEMA 1</b>		
Black	OHBS1PH	1SCA105211R1001
Red-yellow	OHYS1PH	1SCA105294R1001
<b>Padlockable with one padlock, IP54, NEMA 1</b>		
Black	OHBS3PH	1SCA105236R1001
Red-yellow	OHYS3PH	1SCA105327R1001
<b>Padlockable with max. 3 padlocks, IP65, NEMA 1, 3R, 12</b>		
Black	OHBS2PJ	1SCA105231R1001
Red-yellow	OHYS2PJ	1SCA105322R1001
<b>Screw mounting, hole distance 36 mm, for OTDC16...32FT and OTDC16...32U_T</b>		
<b>No padlocking, IP54, NEMA 1</b>		
Black	OHBS1RH	1SCA105212R1001
Red-yellow	OHYS1RH	1SCA105295R1001
<b>Padlockable with one padlock, IP54, NEMA 1</b>		
Black	OHBS3RH	1SCA105237R1001
Red-yellow	OHYS3RH	1SCA105328R1001
<b>Padlockable with max. 3 padlocks, IP65, hole distance 36/48 mm, NEMA 1, 3R, 12</b>		
Black	OHBS2RJ	1SCA105232R1001
Red-yellow	OHYS2RJ	1SCA105323R1001

# Ordering information for accessories

## Handles

### Selector handles for base and DIN-rail mounted switches

Indication I-O and ON-OFF, for shaft diameter 6 mm, door drilling 22.5 mm.



—  
OHBS3



—  
OHYS3



—  
OHBS2

Colour	Type	Order code
<b>IP 54 handles, NEMA 1, suitable for switches OTDC16...32F and OTDC16...32U_</b>		
Black	OHBS1AH	1SCA102680R1001
Yellow-red	OHYS1AH	1SCA105290R1001
<b>Door interlock in ON-position.</b>		
Black	OHBS1AH1	1SCA105210R1001
Yellow-red	OHYS1AH1	1SCA105291R1001
<b>Padlockable with one padlock with bail diameter 5...6.3 mm.</b>		
Black	OHBS3AH	1SCA105234R1001
Yellow-red	OHYS3AH	1SCA105325R1001
<b>Padlockable with one padlock with bail diameter 5...6.3 mm, door interlock in ON-position.</b>		
Black	OHBS3AH1	1SCA105235R1001
Yellow-red	OHYS3AH1	1SCA105326R1001
<b>IP 65 handles, NEMA 1, 3R, 12, suitable for switches OTDC16...32F and OTDC16...32U_</b>		
<b>Padlockable with max. 3 padlocks with bail diameter 5...8 mm, door interlock in ON-position, defeatable.</b>		
Black	OHBS2AJ	1SCA105213R1001
Yellow-red	OHYS2AJ	1SCA105296R1001
<b>Padlockable with max. 3 padlocks with bail diameter 5...8 mm, door interlock in ON-position.</b>		
Black	OHBS2AJ1	1SCA105215R1001
Yellow-red	OHYS2AJ1	1SCA105297R1001
<b>Selector handle with metal hasp</b>		
<b>IP65 handles, NEMA 1, 3R, 12, suitable for switches OTDC16...32F and OTDC16...32U_</b>		
<b>Padlockable with max. 3 padlocks, door interlock in the ON-position, defeatable.</b>		
Black	OHBS2AJEH	1SCA108230R1001

**Pistol handles OH\_ handles for front operation: IP 65, NEMA 1,3R, 12**

Padlockable with three padlocks in OFF-position, door interlock in ON-position. Screw fixing from the back side of the handle ensures double insulation.



OHY\_



OHB274/312

Colour	Handle length [mm]	Suitable for switches	Type	Order number	Weight/unit [kg]
<b>For shaft diameter 6 mm, indication in types OHB and OHY: I-0, ON-OFF, in types OHG: I-0.</b>					
Black	65	OTDC100...250E_, OTDC100...245U_	OHB65J6	1SCA022380R9660	0.12
Yellow-red	65	OTDC100...250E_, OTDC100...245U_	OHY65J6	1SCA022380R9820	0.12
Grey	65	OTDC100...250E_, OTDC100...245U_	OHG65J6	1SCA022380R9740	0.12
Black	80	OTDC100...250E_, OTDC100...245U_	OHB80J6	1SCA022381R0240	0.14
Yellow-red	80	OTDC100...250E_, OTDC100...245U_	OHY80J6	1SCA022381R0410	0.14
Grey	80	OTDC100...250E_, OTDC100...245U_	OHG80J6	1SCA022381R0320	0.14

**For shaft diameter 6 mm, indication: Test-OFF-ON/Test-0-I**

Black	65	OTDC100...250E_, OTDC100...200U_	OHB65J6T	1SCA022399R8110	0.12
Yellow-red	65	OTDC100...250E_, OTDC100...200U_	OHY65J6T	1SCA022456R9540	0.12

**For shaft diameter 12 mm, indication OHB and OHY: I-0, ON-OFF, in types OHG: I-0**

Black	95	OTDC315...800E, OTDC250...600U_	OHB95J12	1SCA022381R0830	0.16
Yellow-red	95	OTDC315...800E, OTDC250...600U_	OHY95J12	1SCA022381R1050	0.16
Grey	95	OTDC315...800E, OTDC250...600U_	OHG95J12	1SCA022381R0910	0.16
Black	125	OTDC315...800E, OTDC250...600U_	OHB125J12	1SCA022381R1560	0.17
Yellow-red	125	OTDC315...800E, OTDC250...600U_	OHY125J12	1SCA022381R1720	0.17
Grey	125	OTDC315...800E, OTDC250...600U_	OHG125J12	1SCA022381R1640	0.17
Black	145	OTDC315...800E, OTDC250...600U_	OHB145J12	1SCA022381R2110	0.17

**For shaft diameter 12 mm, indication: Test-OFF-ON/Test-0-I**

Black	95	OTDC315...800E, OTDC250...600U_	OHB95J12T	1SCA022736R1750	0.16
Yellow-red	95	OTDC315...800E, OTDC250...600U_	OHY95J12T	1SCA022736R1910	0.16
Black	125	OTDC315...800E, OTDC250...600U_	OHB125J12T	1SCA022652R2220	0.16
Yellow-red	125	OTDC315...800E, OTDC250...600U_	OHY125J12T	1SCA022652R2310	0.16
Black	274	OTDC1000...1600E, OTDC800...1000U_	OHB274J12	1SCA115920R1001	0.54
Yellow-red	274	OTDC1000...1600E, OTDC800...1000U_	OHY274J12	1SCA115919R1001	0.54

Door interlocking in ON-position means that the door cannot be opened when the handle is in ON-position. This can be defeated in IP65 types to allow authorized personnel access for inspection. NEMA 4, 4x pistol handles available on request. Handles padlockable in all positions available on request.

# Ordering information for accessories

## Handles



OT\_V\_

### Direct mount handles

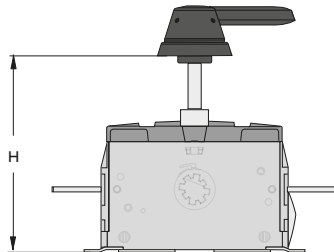
Colour	Handle length [mm]	Suitable for switches	Type	Order code	Weight/unit [kg]
<b>Indication Test-OFF-ON/Test-O-I. Padlockable with three padlocks in OFF-position. Includes shaft and mechanism cover.</b>					
Black	65	OTDC100...250E_, OTDC100...245U_ <sup>2)</sup>	OTDV250EK	1SCA127390R1001	0.10
Red-yellow	65	OTDC100...250E_, OTDC100...245U_ <sup>2)</sup>	OTDVY250EK	1SCA127391R1001	0.10
Black	95	OTDC315...800E, OTDC250...600U_ <sup>2)</sup>	OTDV400EK	1SCA130579R1001	0.3
Black	145	OTDC315...800E, OTDC250...600U_ <sup>2)</sup>	OTDV500EK <sup>4)</sup>	1SCA135915R1001	0.65
Black	145	OTDC315...800E, OTDC250...600U_ <sup>2)</sup>	OTDV400EK2	1SCA137301R1001	0.65
Black	95	OTDC250...400U_ <sup>3)</sup>	OTDV400ESK	1SCA136041R1001	0.1
Black	274	OTDC1000...1600E, OTDC800...1000U_	OTV1000EK	1SCA106608R1001	1.5

<sup>2)</sup> Valid only for front-operated switches

<sup>3)</sup> Valid only for side-operated switches

<sup>4)</sup> Handle lifted up with a higher mechanism cover, recommended for use with long terminal shrouds (OTDC400\_L\_)

### Direct mount handle positioning



**OH\_ handles for side operation: IP 65, NEMA 1,3R, 12**

For mounting on the side of the enclosure. Padlockable with three padlocks in the OFF-position, door interlock in the ON-position, IP 65. The position indications are rotated 90°.



—  
OHB\_

Colour	Handle length [mm]	Suitable for switches	Type	Order code	Weight/unit [kg]
<b>Side operation: for shaft diameter 6 mm, indication in types OHB and OHY: I-O, ON-OFF, in types OHG: I-O.</b>					
<b>Plastic handles</b>					
Black	65	OTDC100...245U_S	OHB65J6E00S	1SCA022382R9850	0.12
Red-yellow	65	OTDC100...245U_S	OHY65J6E00S	1SCA022382R9930	0.12
Grey	65	OTDC100...245U_S	OHG65J6E00S	1SCA022383R4510	0.12
<b>Side operation: for shaft diameter 6 mm, indication: Test/I-O/ON-OFF, grey: Test/I-O</b>					
Black	65	OTDC100...245U_S	OHB65J6TE00S	1SCA109016R1001	0.12
Red-yellow	65	OTDC100...245U_S	OHY65J6TE00S	1SCA022688R0140	0.12
Grey	65	OTDC100...245U_S	OHG65J6TE00S	1SCA109014R1001	0.12
<b>Side operation: for shaft diameter 12 mm, indication I-O/ON-OFF</b>					
<b>Plastic handles</b>					
Black	145	OTDC250...400U_S	OHB145J12E00S	1SCA022679R9700	0.17

# Ordering information for accessories

## Shafts



### Extended shafts for selector handles

Shaft length [mm]	H [mm]	Type	Order number	Weight/unit [kg]
<b>Suitable for switches OTDC16...32F, shaft diameter 6 mm</b>				
85	See dimension drawings	OXS6X85	1SCA101647R1001	0.02
105		OXS6X105	1SCA108043R1001	0.02
120		OXS6X120	1SCA101654R1001	0.03
130		OXS6X130	1SCA101655R1001	0.03
160		OXS6X160	1SCA101656R1001	0.04
180		OXS6X180	1SCA101659R1001	0.04
250		OXS6X250	1SCA101660R1001	0.07

OXS6X\_



### Extended shafts for pistol handles

Shaft length [mm]	H [mm]	Type	Order number	Weight/unit [kg]
<b>For pistol type handles</b>				
<b>Suitable for switches OTDC100...250E_, OTDC100...200U_, shaft diameter 6 mm<sup>1)</sup></b>				
130	109...174	OSP6X130	1SCA022057R0570	0.04
150	129...194	OSP6X150	1SCA022295R5600	0.05
161	140...205	OSP6X161	1SCA022067R1760	0.05
210	189...254	OSP6X210	1SCA022295R6080	0.06
290	269...334	OSP6X290	1SCA022042R6370	0.08

OSP6X



OSP12X185



OSP6X150

### Suitable for switches OTDC315...800E, OTDC250...600U\_, shaft diameter 12 mm

166	146...226	OSP12X166	1SCA022325R7100	0.2
185	165...245	OSP12X185	1SCA022325R6710	0.2
250	230...310	OSP12X250	1SCA022325R6980	0.28
280	260...340	OSP12X280	1SCA022137R5140	0.3
325	305...385	OSP12X325	1SCA022042R5810	0.36
395	445...525	OSP12X395	1SCA022042R5990	0.43
465	439...519	OSP12X465	1SCA022042R6020	0.51
535	515...595	OSP12X535	1SCA022042R6110	0.59

### Suitable for switches OTDC1000...1600E\_, OTDC800...1000U\_, shaft diameter 12 mm

250	221...350	OSP12X250	1SCA022325R6980	0.28
280	251...380	OSP12X280	1SCA022137R5140	0.30
325	296...425	OSP12X325	1SCA022042R5810	0.36
395	366...495	OSP12X395	1SCA022042R5990	0.43
465	436...565	OSP12X465	1SCA022042R6020	0.51
535	506...635	OSP12X535	1SCA022042R6110	0.59

<sup>1)</sup> Longer shafts on request

# Ordering information for accessories

## Phase separators and mounting feet

### Phase separators

Plastic phase separators for maintaining 1" clearance between the phases without terminal shrouds. Snap-on mounting. Included as standard in OTDC100...1600E\_ or OTDC100...1000U\_ if use mandatory.



OTDCB250/2



OTDCB400/2

Suitable for switches	Type	Order number	Units/ type	Weight/ unit [kg]
OTDC100...250E_, OTDC100...245U_	OTDCB250/2	1SCA148901R1001	2	-
OTDC315...800E, OTDC250...600U_	OTDCB400/2	1SCA132183R1001	2	-

### Mounting feet

Higher (10 mm) optional mounting feet to lift the switch up from the mounting base. The delivery includes 4 mounting feet and screws.



OEZKL10/4

Suitable for switches	Type	Order number	Weight/unit [kg]
OTDC315...800E_, OTDC250...400U_	OEZKL10/4	1SCA132180R1001	-

# Ordering information for accessories

## Auxiliary contacts

### Auxiliary contact blocks, IP20

Contact numbering according to EN 50013. The type and the ordering numbers are for one piece.



OA1G10, OA3G01



OEA28

#### Mounting on the left side of the switch or under the mechanism cover

Mounting on the left side of the switch: Max. 8 auxiliary contact blocks with the OEA28 module.

Mounting under the mechanism cover:

OTDC100...250E, OTDC100...200U\_: Max. 4 test contacts or 2 test contacts + 2 test indication contacts.<sup>1)</sup>

OTDC315...800E, OTDC250...600U\_: Max. 4 test contacts + 4 test indication contacts.<sup>1)</sup>

OTDC1000...1600E\_, OTDC800...1000U\_: Max 4 test indication contacts + 6 test contacts + 2 early operation test contacts.

The test contacts can be used as standard auxiliary contacts as well.

Suitable for switches	Function	Type	Order code	Delivery batch [pcs] <sup>2)</sup>	Weight/unit [kg]
OTDC100...1600E_, OTDC100...1000U_	1NO	OA1G10	1SCA022353R4970	10	0.03
OTDC100...1600E_, OTDC100...1000U_	1NC	OA3G01	1SCA022456R7410	10	0.03

#### Module for auxiliary contacts

Screw mounting to the left side of the switch.

Suitable for switches	Type	Order code	Delivery batch [pcs]	Weight/unit [kg]
OOTDC100...1600E_, OTDC100...1000U_	OEA28	1SCA022714R8810	1	0.04

<sup>1)</sup> Contact numbering:

(83) (43) (53) 13      21 (61) (31) (71)

(84) (44) (54) 14      22 (62) (32) (72)

<sup>2)</sup> Auxiliary contacts OA1G\_ are available in larger packing as well.

A bulk package includes 50 auxiliary contacts. Type number: add a suffix: /B, e.g. OA1G01/B.

### Performance data according to IEC 60947-5-1

For OA1G\_, OA2G\_, OA3G\_, OA8G\_

U <sub>e</sub> /[VAC]	AC15		DC12		DC13	
	I <sub>e</sub> /[A]	U <sub>e</sub> /[VDC]	I <sub>e</sub> /[A]	P/[W]	I <sub>e</sub> /[A]	P/[W]
230	6	24	10	240	2	50
400	4	72	4	290	0.8	60
415	4	125	2	250	0.55	70
690	2	250	0.55	140	0.27	70
-	-	440	0.1	44	-	-



# Ordering information for accessories

## Connection bar kits

### Short circuit and connection bar kits

Refer to pages for circuit diagrams showing the possible connections and needed amounts of kits. The kits include the necessary mounting hardware.



OEZXY91



OTDCKIT250S11



OTDCKIT400S101



OTDCKIT400S11



OTDCKIT400B11



OTDCKIT400B101



OTDCKIT400B111



OTDCKIT400B202

Suitable for switches	Type	Order code	Weight/unit [kg]
OTDC100...250E_	OEZXY91	1SCA125290R1001	-
OTDC100...250E_, OTDC100...200U_	OTDCKIT250S11	1SCA148902R1001	-
OTDC315...500E, OTDC250...400U	OTDCKIT400S101	1SCA136280R1001	0.38
OTDC315...500E, OTDC250...400U	OTDCKIT400S11	1SCA136281R1001	0.54
OTDC315...500E, OTDC250...400U	OTDCKIT400B11	1SCA136282R1001	0.29
OTDC315...500E	OTDCKIT400B111	1SCA136284R1001	0.47
OTDC600UPP	OTDCKIT400B202	1SCA136285R1001	0.910
OTDC250...400US	OTDCKIT400B101	1SCA136283R1001	0.375

# Ordering information for accessories

## Terminal shrouds

### Terminal shrouds

The type and ordering numbers are for one piece.



OTS250G1L



OTS250T1L



OTS1600G1L



OTS1600G1S

Suitable for switches	Description	Type	Order number	Weight/ unit [kg]
<b>Grey</b>				
OTDC100...250E, OTDC100...245US	long	OTS250G1L	1SCA022715R5340	0.01
OTDC315...500E, OTDC250...400US	short	OTDCS400G1S	1SCA132361R1001	0.05
OTDC315...500E, OTDC250...400US	long	OTDCS400G1L	1SCA132362R1001	0.1
OTDC1000...1600E_, OTDC800...1000U_	short	OTS1600G1S <sup>1)</sup>	1SCA102667R1001	0.13
OTDC1000...1600E_, OTDC800...1000U_	long	OTS1600G1L <sup>1)</sup>	1SCA106134R1001	0.22
<b>Transparent</b>				
OTDC100...250E, OTDC100...245US	long	OTS250T1L	1SCA022726R0640	0.01
OTDC315...500E, OTDC250...400US	short	OTDCS400T1S	1SCA132363R1001	0.05
OTDC315...500E, OTDC250...400US	long	OTDCS400T1L	1SCA132364R1001	0.1

<sup>1)</sup> The use of shrouds limits the rated current: OTDC1000U22 to 980 A and OTDC1000U522 to 920 A.

**Shrouds for jumpers connection bars**

The type and ordering numbers are for one piece.



OTDCS400G2B



OEZXY97



OTDCS400T2L



OTDCS400T11L

Suitable for switches	Suitable for jumper /connection bar	Type	Order code	Weight/unit [kg]
<b>Grey</b>				
OTDC315...500E, OTDC250...400U	OTDCKIT400S11	OTDCS400G2B	1SCA136273R1001	-
OTDC600USPP	OTDCKIT400B202	OTDCS250G4B	1SCA136274R1001	0.07
OTDC315...500E, OTDC250...400U_	OTDCKIT400S101	OEZXY97	1SCA130816R1001	0.1
OTDC315...800E, OTDC250...600U_	OTDCKIT400B11	OTDCS400T2L	1SCA136275R1001	0.13
OTDC315...500E, OTDC250...400U	OTDCKIT400B101	OTDCS400T11L	1SCA136279R1001	-
OTDC315...500E	OTDCKIT400B111	OTDCS400T3L	1SCA136276R1001	-
OTDC1000...1600E_, OTDC800...1000U_	OTDCKIT1250B11	OTDCS1250T2	1SCA144021R1001	-
OTDC1000...1600E_, OTDC800...1000U_	OTDCKIT1250B101	OTDCS1250T3	1SCA143477R1001	-

# Ordering information for accessories

## Interlocks and terminal lugs

### Mechanism interlock kits and electrical interlocks

OTDC switch-disconnectors can be interlocked in the OFF-position using padlocks or a mechanical interlock kit mounted on the mechanism. The diameter of the lock bail can be max 8 mm.



OTZT4\_

Suitable for switches	Type	Order code	Weight/unit [kg]
<b>Interlocking in OFF position</b>			
OTDC315...800E, OTDC250...600U_	OTZT2A	1SCA106523R1001	0.57
OTDC1000...1600E, OTDC800...1000U_	OTZT4A	1SCA106526R1001	1.0



OZXA1200

### Mechanical interlock kit

#### Interlocking in OFF and ON positions

OTDC315...800E, OTDC250...600U_	OTZT2L	1SCA106529R1001	0.57
OTDC1000...1600E, OTDC800...1000U_	OTZT4L	1SCA106531R1001	1.0

### Terminal lugs for Al and Cu cables for IEC switch-disconnectors



OZXA200

Suitable for switches	Cable cross section [mm <sup>2</sup> ]	Type	Order code	Weight/unit [kg]
OTDC100...250E_	10...70	OZXB1/L	1SCA022169R2030	0.05
OTDC100...250E_	25...120	OZXB2/1	1SCA022119R7610	0.12
OTDC100...250E_	25...120	OZXB2L/1	1SCA022158R7750	0.14
OTDC315...800E_	95...185	OZXB3/1	1SCA022136R8100	0.44
OTDC315...800E_	2x(95...185)	OZXB4/1	1SCA022137R4760	0.60
OTDC315...800E_	120...300	OZXB5/1	1SCA022137R2470	0.80
OTDC315...800E_	120...240	OZXB7L/1	1SCA022185R7130	0.39



OZXA250

### Terminal lugs for Al and Cu cables for UL switch-disconnectors

Suitable for switches	Cable cross section [mm <sup>2</sup> ]	Type	Order code	Weight/unit [kg]
OTDC100...245U_	AWG 4 - 300MCM	OZXA200/1	1SCA022747R8940	0.03
OTDC100...245U_	AWG 2 - 500MCM	OZXA250/1	1SCA148396R1001	0.19
OTDC250U_	AWG 2 - 600MCM	OZXA400/1	1SCA022747R9080	0.07
OTDC250...600U_	2 X AWG 2 - 600MCM	OZXA800/1	1SCA130830R1001	0.22
OTDC1000...1600E_, OTDC800...1000U_	4 X AWG 2 - 600MCM	OZXA1200/1	1SCA130842R1001	0.55

---

## Technical data

**078–080**      **OTDC16...1600 (IEC)**

**081**            **OTDC16...1000 (UL)**

# Technical data

## OTDC16...1600, IEC

Technical data according to IEC 60947 for switch-disconnectors OTDC16...32

Switch size			OTDC16F	OTDC25F	OTDC32F	
Rated insulation voltage $U_i$	Pollution degree 2	V	1250 <sup>1)</sup>	1250 <sup>1)</sup>	1250 <sup>1)</sup>	
	Pollution degree 3	V	1000 <sup>1)</sup>	1000 <sup>1)</sup>	1000 <sup>1)</sup>	
Rated impulse withstand voltage		kV	8	8	8	
Rated thermal current $I_{th}$	In open air, normal conditions <sup>2)</sup>	A	25	32	45	
	In enclosure 40°C	A	25	32	45	
	In enclosure 60°C	A	25	32	32	
...with minimum cable or bar cross section	Cu	mm <sup>2</sup>	4	6	10	
Rated operational current / poles in series DC-21B	500	One circuit	V			
	660	One circuit	V	16/2	25/2	32/2
		Two circuits	V		25/2	32/2
	1000	One circuit	V	10/2	16/2	20/2
			V	16/3	25/3	32/3
		Two circuits	V	10/2	16/2	20/2
	1500	One circuit	V			
Rated short-time withstand current, 1000 V, 1 s	R.M.S. -value $I_{cw}$	kA	0,4	0,6	0,8	
Rated conditional short-circuit current $I_p$ (r.m.s.)	$I_p$ (r.m.s.), 1000 V	kA				
	Max fuse size, gPV	A				
Power loss / pole	At rated current	W	0,15	0,3	0,5	
Terminal cable size	Cu	mm <sup>2</sup>	2.5...16	2.5...16	2.5...16	
Terminal bolt size	Metric thread diameter x length	mm				
Terminal tightening torque	Counter torque required	Nm				

Switch size			OTDC16U	OTDC25U	OTDC32U	
Rated insulation voltage $U_i$	Pollution degree 2	V	1250 <sup>1)</sup>	1250 <sup>1)</sup>	1250 <sup>1)</sup>	
	Pollution degree 3	V	1000 <sup>1)</sup>	1000 <sup>1)</sup>	1000 <sup>1)</sup>	
Rated impulse withstand voltage		kV	8	8	8	
Rated thermal current $I_{th}$	In open air, normal conditions <sup>2)</sup>	A	40	50	63	
	In enclosure 40°C	A	32	40	50	
	In enclosure 60°C	A	25	32	40	
...with minimum cable or bar cross section	Cu	mm <sup>2</sup>	4	6	10	
Rated operational current / poles in series DC-21B	500	One circuit	V			
	660	One circuit	V	16/2	25/2	
		Two circuits	V	16/2	25/2	32/2
	1000	One circuit	V	10/2 <sup>3)</sup>	16/2 <sup>3)</sup>	
			V			
		Two circuits	V	10/2 <sup>3)</sup>	16/2 <sup>3)</sup>	20/2 <sup>3)</sup>
	1500	One circuit	V			
Rated short-time withstand current, 1000 V, 1 s	R.M.S. -value $I_{cw}$	kA	1,0	1,0	1,0	
Rated conditional short-circuit current $I_p$ (r.m.s.)	$I_p$ (r.m.s.), 1000 V	kA	10	10	10	
	Max fuse size, gPV	A	80	80	80	
Power loss / pole	At rated current	W	0,1	0,2	0,35	
Terminal cable size	Cu	mm <sup>2</sup>	2.5...16	2.5...16	2.5...16	
Terminal bolt size	Metric thread diameter x length	mm				
Terminal tightening torque	Counter torque required	Nm				

<sup>1)</sup> When used with external handle. For use with direct mounted handle, see installation instruction.

<sup>2)</sup> Normal conditions defined in IEC 60947-1-6.1

<sup>3)</sup> U and UT types only. (Not applicable for US nor UST.)

Technical data according to IEC 60947 for switch-disconnectors OTDC100...250

Switch size			OTDC100E	OTDC160E	OTDC200E	OTDC250E	
Rated insulation voltage $U_i$	Pollution degree 2	V					
	Pollution degree 3	V	1000	1000	1000	1000	
Rated impulse withstand voltage		kV	12	12	12	12	
Rated thermal current $I_{th}$	In open air, normal conditions <sup>2)</sup>	A	100	160	200	250	
	In enclosure 40°C	A	100	160	200	250	
	In enclosure 60°C	A	100	160	200	200	
...with minimum cable or bar cross section	Cu	mm <sup>2</sup>	35	70	95	120	
Rated operational current / poles in series DC-21B	500	One circuit	V	100 / 1	160 / 1	200 / 1	250 / 1
	660	One circuit	V				
		Two circuits	V				
	1000	One circuit	V	100 / 2	160 / 2	200 / 2	250 / 2
			V				
		Two circuits	V	100 / 2x2	160 / 2x2	200 / 2x2	250 / 2x2
1500	Three circuits	V	100 / 3x2	160 / 3x2	200 / 3x2		
	One circuit	V	100 / 2x2	160 / 2x2	200 / 2x2		
Rated short-time withstand current, 1000 V, 1 s	R.M.S. -value $I_{cw}$	kA	10	10	10	10	
Rated conditional short-circuit current $I_p$ (r.m.s.)	$I_p$ (r.m.s.), 1000 V	kA					
	Max fuse size, gPV	A					
Power loss / pole	At rated current	W	2	4	6	9,5	
Terminal cable size	Cu	mm <sup>2</sup>					
Terminal bolt size	Metric thread diameter x length	mm	M8x25	M8x25	M8x25	M8x25	
Terminal tightening torque	Counter torque required	Nm	15...22	15...22	15...22	15...22	

<sup>1)</sup> When used with external handle. For use with direct mounted handle, see installation instruction.

<sup>2)</sup> Normal conditions defined in IEC 60947-1-6.1

<sup>3)</sup> U and UT types only. (Not applicable for US nor UST.)

Technical data according to IEC 60947 for switch-disconnectors OTDC315...800

Switch size			OTDC315E	OTDC400E	OTDC500E	OTDC630E	OTDC800E	
Rated insulation voltage $U_i$	Pollution degree 3	V	1500	1500	1500	1500	1500	
Rated impulse withstand voltage		kV	12	12	12	12	12	
Rated thermal current $I_{th}$	In open air, normal conditions <sup>4)</sup>	A	315	400	630	630	800	
	In enclosure 40°C	A	315	400	550	630	800	
	In enclosure 60°C	A	315	400	440	630	680	
...with minimum cable or bar cross section	Cu	mm <sup>2</sup>	185	240	240	2x185	2x240	
Rated operational current / poles in series DC-21B	1000	One circuit	V	315/2	400/2	500/2	630/2	800/2
		Two circuits	V	315/2	400/2	500/2		
		Three circuits	V	315/2	400/2	500/2		
	1500	One circuit	V	315/3	400/3	500/3		
			V	315/4	400/4	500/4		
		Two circuits	V	315/3	400/3	500/3		
Rated short-time withstand current, 1000 V, 1 s	R.M.S. -value $I_{cw}$	kA	10	10	10	10	10	
Power loss / pole	At rated current	W	6	9,7	15,1	29,1	40	
Terminal bolt size	Metric thread diameter x length	mm	M 10x30	M 10x30	M 12x40	M 12x40	M 12x40	
Terminal tightening torque	Counter torque required	Nm	30-44	30-44	50-75	50-75	50-75	

<sup>4)</sup> Normal conditions defined in IEC 60947-1-6.1

# Technical data

## OTDC16...1600, IEC

### Technical data according to IEC 60947 for switch-disconnectors OTDC1000...1600

Switch size			OTDC1000E	OTDC1250E	OTDC1600E
Rated insulation voltage $U_i$	Pollution degree 3	V	1500	1500	1500
Rated impulse withstand voltage		kV	12	12	12
Rated thermal current $I_{th}$	In open air, normal conditions <sup>4)</sup>	A	1000	1250	1600
	In enclosure 40°C	A	1000	1250	1250
	In enclosure 60°C	A	800	1000	1000
...with minimum cable or bar cross section	Cu	mm <sup>2</sup>	2x (60x5)	2x (50x8)	2x (50x10)
Rated operational current / poles in series	1000 One circuit	A	1000/4	1250/4	1600/4
Rated short-time withstand current, 1000 V, 1 s	R.M.S. -value $I_{cw}$	kA	10	10	10
Rated short circuit making capacity, 1000 V	Peak value $I_{cm}$	kA	10	10	10
Power loss / pole	At rated current	W	22	35	58

<sup>4)</sup> Normal conditions defined in IEC 60947-1-6.1

### Technical data according to IEC 60947 for enclosed switch-disconnectors OTDCP

Switch size			OTDCP16	OTDCP25	OTDCP32
Rated insulation voltage $U_i$	Pollution degree 2	V	1250	1250	1250
	Pollution degree 3	V	1000	1000	1000
Dielectric strength	50 Hz 1 min	kV	6	6	6
Rated impulse withstand voltage		kV	8	8	8
Rated thermal current $I_{th}$ DC-20	In enclosure 40°C	A	25	32	45
	In enclosure 60°C	A	25	32	32
Rated operational current / poles in series DC-21B	600 V	A	16/2	25/2	32/2
	1000 V	A	16/3	25/3	32/3
		A	10/2	16/2	20/2
	2x660 V <sup>5)</sup>	A	16/4	25/4	32/4
Rated short-time withstand current, 1000 V, 1 s	R.M.S. -value $I_{cw}$	kA	0.4	0.6	0.8
Power loss / pole	At rated current	W	0.15	0.3	0.5

<sup>5)</sup> 1000 V with all the poles connected in series, 600 V with 2 poles in series.



# Technical data

## OTDC16...1000, UL

### Technical data in accordance to UL508I for photovoltaic disconnect switches OTDC16...32U

Suitable For Use in Photovoltaic Systems in Accordance With Article 690 of the NEC.

Switch size		OTDC16U	OTDC25U	OTDC32U
UL Listed	Standard	UL 508I	UL 508I	UL 508I
Rated ambient temperature	°C	-20...+60	-20...+60	-20...+60
Rated current /poles in series	600 V	One circuit	16/2	25/2
		Two circuits	16/2	25/2x2
		Three circuits	16/2	32/2x2
Short circuit rating	kA, 600 V	5	5	5
Protection type		RK5 Fuse	RK5 Fuse	RK5 Fuse
Wire range	MCM	12-6 AWG	12-6 AWG	12-6 AWG
Technical data according to IEC 60947	See IEC table for type	OTDC16U	OTDC25U	OTDC32U

### Technical data in accordance to UL98B for photovoltaic disconnect switches OTDC100...600U

Suitable For Use in Photovoltaic Systems in Accordance With Article 690 of the NEC.

Switch size		OTDC100U	OTDC200U	OTDC245U <sup>1)</sup>	OTDC250U	OTDC320U	OTDC400U	OTDC600U
UL Listed	Standard	UL98B	UL98B	UL98B	UL98B	UL98B	UL98B	UL98B
Rated ambient temperature	°C	-20...+50	-20...+50	-20...+50	-20...+50	-20...+50	-20...+50	-20...+50
Rated current /poles in series	1000 V	One circuit	100/2	200/2	250/2 <sup>1)</sup>	250/2	320/2	400/2
		Two circuits	100/2x2	200/2x2		250/2x2	320/2x2	400/2
		Three circuits	100/3x2	200/3x2				
	1500 V	One circuit	100/4	200/4	250/3	320/3	400/3	
Short circuit rating	kA, 1000 V	10	10	10	10	10	10	10
Protection type		Circuit breaker	Circuit breaker	Circuit breaker	Circuit breaker	Circuit breaker	Circuit breaker	Circuit breaker
Wire range	MCM	#250-500	#250-500	#250-500	#2 – 600	#2 – 600	#2 – 600	#2 – 600
Technical data according to IEC 60947	See IEC table for type	OTDC160E	OTDC250E	OTDC250E	OTDC315E	OTDC400E	OTDC500E	OTDC630E

<sup>1)</sup> For enclosure details, please refer to installation instructions or consult us.

### Technical data in accordance to UL98B for photovoltaic disconnect switches OTDC800...1000U

Suitable For Use in Photovoltaic Systems in Accordance With Article 690 of the NEC.

Switch size		OTDC800US22	OTDC800U22	OTDC1000US22	OTDC1000U22
UL Listed	Standard	UL98B	UL98B	UL98B	UL98B
Rated ambient temperature	°C	-20...+50	-20...+50	-20...+50	-20...+50
Rated current /poles in series	1000 V	One circuit	800 / 4	800 / 4	930 / 4 <sup>2)</sup>
Short circuit rating	kA, 1000 V	10	10	10	10
Protection type		Circuit breaker	Circuit breaker	Circuit breaker	Circuit breaker
Wire range	MCM	4 x #4 - 300	4 x #4 - 300	4 x #4 - 300	4 x #4 - 300
Cable lug		OZXA1200	OZXA1200	OZXA1200	OZXA1200
Technical data according to IEC 60947	See IEC table for type	OTDC1000E	OTDC1250E	OTDC1250E	OTDC1600E

<sup>2)</sup> When shrouds are used rated current I = 920A

<sup>3)</sup> When shrouds are used rated current I = 980A

---

Direct current switch-disconnectors are a perfect solution for any photovoltaic plant, regardless of size or geographical location.



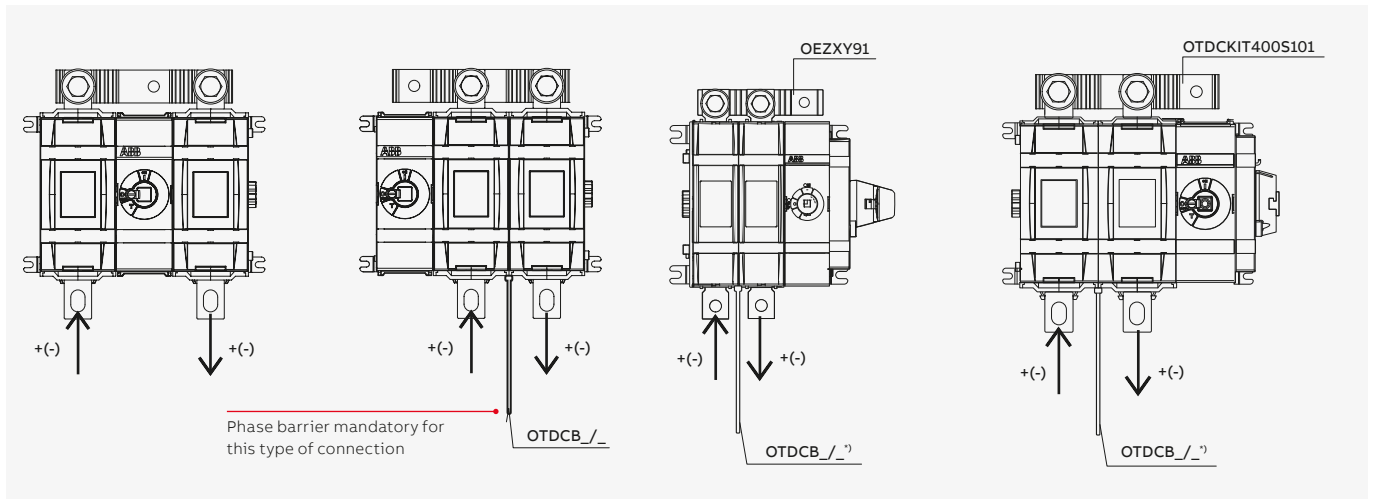
---

# Circuits

<b>084</b>	<b>Circuit 1a, 1b</b>
<b>084</b>	<b>Circuit 2a, 2b</b>
<b>085</b>	<b>Circuit 3</b>
<b>085</b>	<b>Circuit 4a, 4c</b>
<b>086</b>	<b>Circuit 5a, 5c</b>
<b>087</b>	<b>Circuit 6a, 6b, 6c</b>
<b>088</b>	<b>Circuit 6d, 6e</b>
<b>089</b>	<b>Circuit 6m</b>
<b>089</b>	<b>Circuit 7a</b>
<b>090</b>	<b>Circuit 7b, 7i</b>
<b>091–092</b>	<b>Special solutions</b>

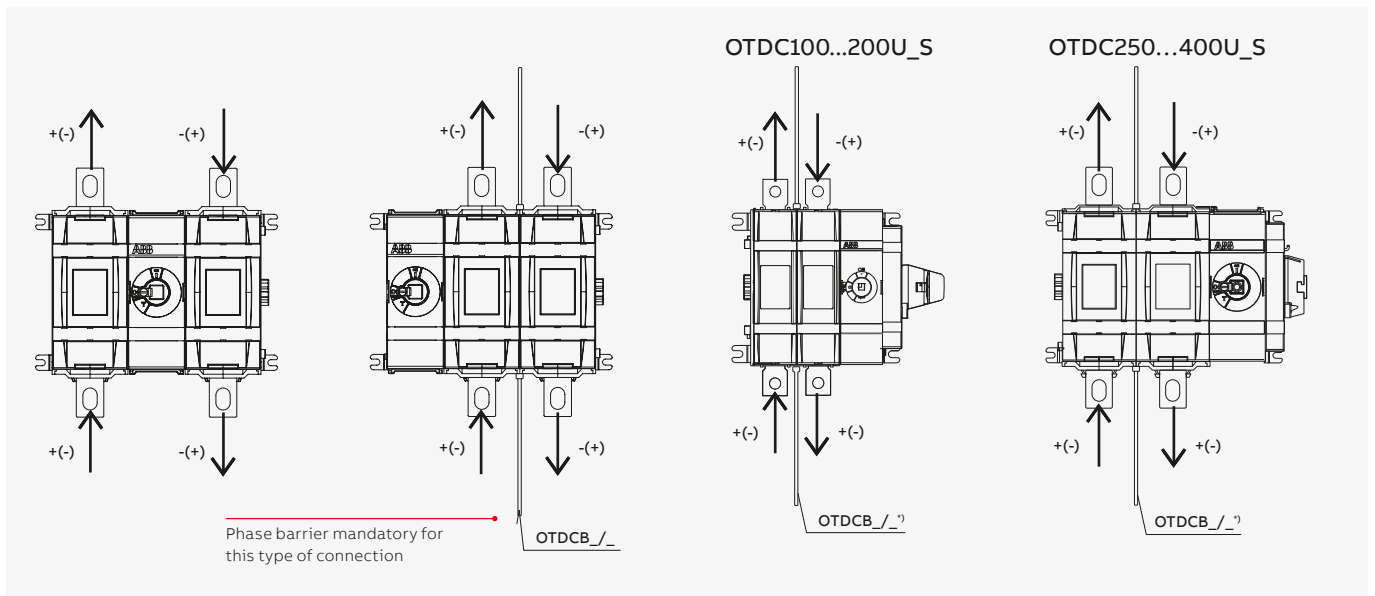
# Circuits

## Circuit 1a, 1b, 1000 VDC

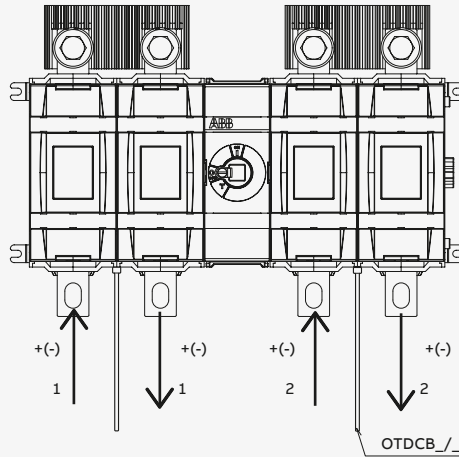


Description	Type	Order code	Needed quantity
<b>Accessories for OTDC100...250E</b>			
Connection bar kit	OEZXY91	1SCA125290R1001	1
<b>Accessories for OTDC315...500E</b>			
Connection bar kit	OTDCKIT400S101	1SCA136280R1001	1
Shroud	OEZXY97	1SCA130816R1001	1

## Circuit 2a, 2b, 1000 VDC



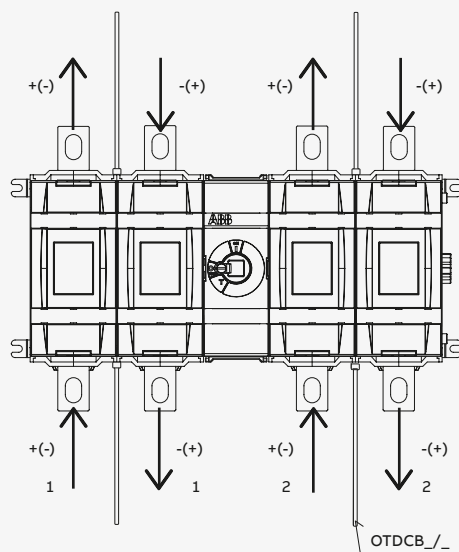
**Circuit 3, 1000 VDC - Double circuit**



Phase barrier mandatory for this type of connection

Description	Type	Order code	Needed quantity
<b>Accessories for OTDC100...250E</b>			
Connection bar kit	OTDCKIT250S11	1SCA148902R1001	2
<b>Accessories for OTDC315...500E</b>			
Connection bar kit	OTDCKIT400S11	1SCA136281R1001	2
Shroud	OTDCS400G2B	1SCA136273R1001	2

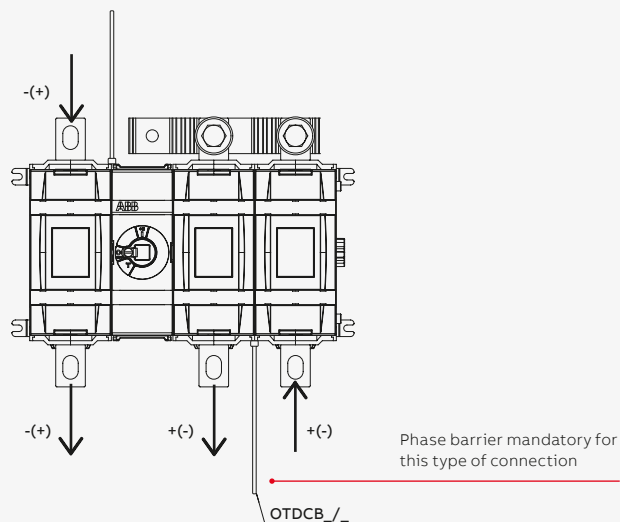
**Circuit 4a, 4c, 1000 VDC - Double circuit**



Phase barrier mandatory for this type of connection

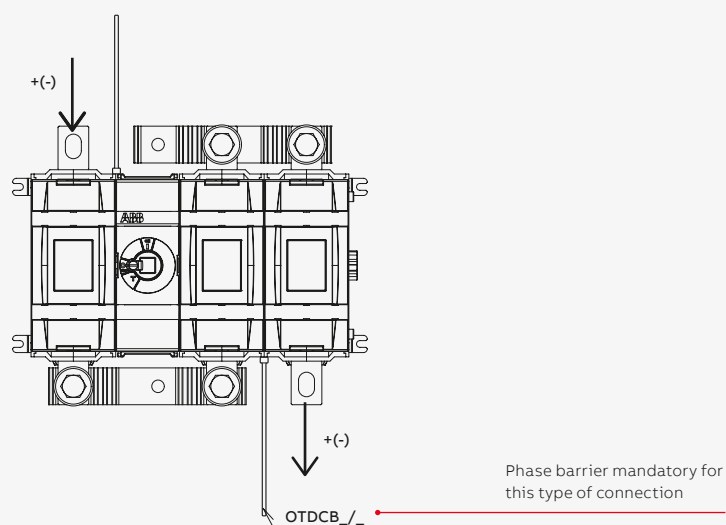
# Circuits

## Circuit 5a, 1500 VDC



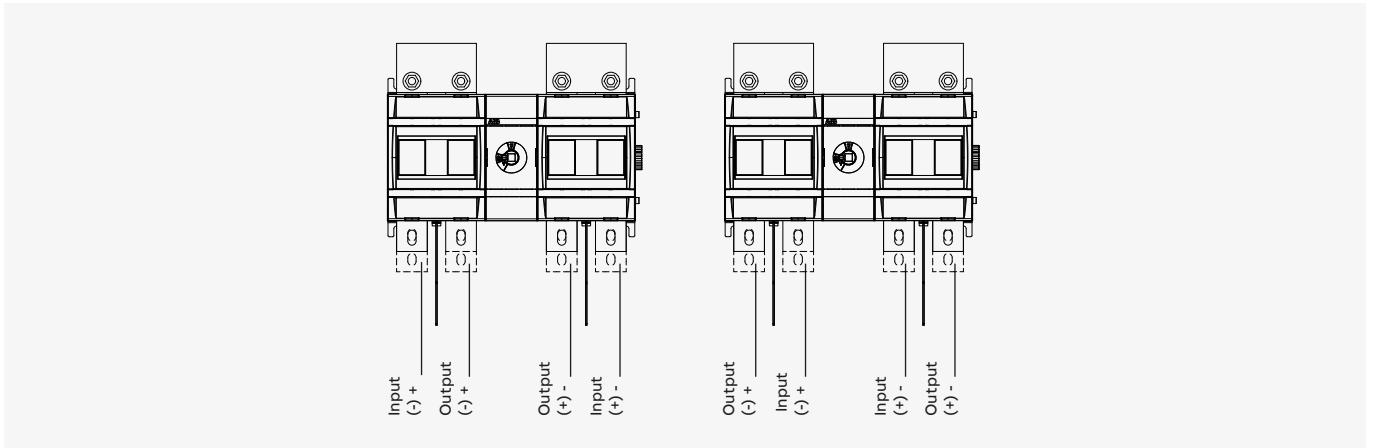
Description	Type	Order code	Needed quantity
<b>Accessories for OTDC315...500E</b>			
Connection bar kit	OTDCKIT400S101	1SCA136280R1001	1
Shroud	OEZXY97	1SCA130816R1001	1

## Circuit 5c, 1500 VDC



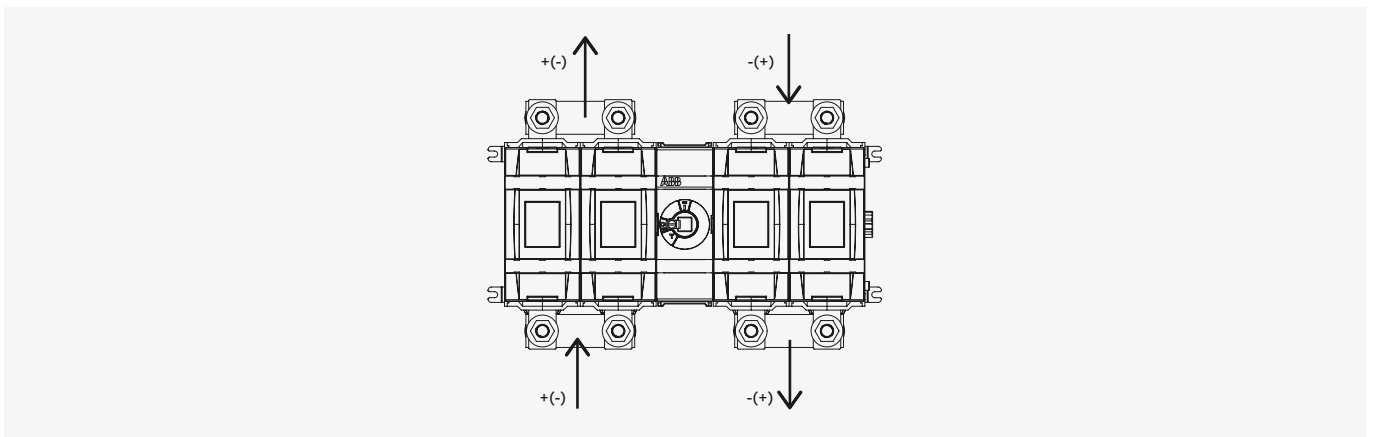
Description	Type	Order code	Needed quantity
<b>Accessories for OTDC315...500E</b>			
Connection bar kit	OTDCKIT400S101	1SCA136280R1001	1
Shroud	OEZXY97	1SCA130816R1001	1

—  
Circuit 6a, 6b



Description	Type	Order code	Needed quantity
<b>Accessories for OTDC1000...1600E22</b>			
Connection bar kit	OTDCKIT1250B11	1SCA143479R1001	2
Shroud	OTDCS1250T2	1SCA144021R1001	2
<b>Accessories for OTDC100...200E</b>			
Connection bar kit	OTDCKIT250S11	1SCA148902R1001	2

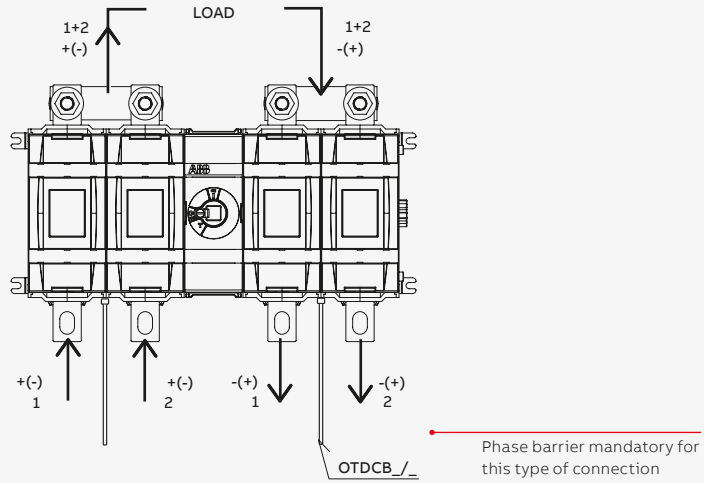
—  
Circuit 6c, 1000 VDC



Description	Type	Order code	Needed quantity
<b>Accessories for OTDC1000...1600E22</b>			
Connection bar kit	-	-	-
Shroud	OTDCS400T2L	1SCA136275R1001	4

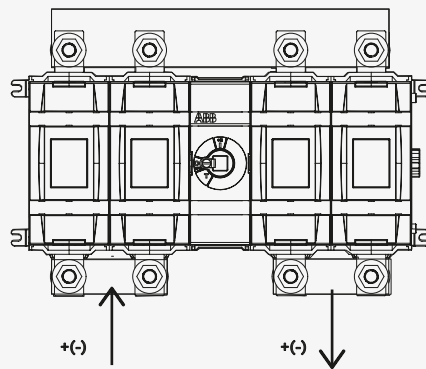
# Circuits

Circuit 6d, 1000 VDC - Load side combining



Description	Type	Order code	Needed quantity
<b>Accessories for OTDC315...500E</b>			
Connection bar kit	OTDCKIT400B11	1SCA136282R1001	2
Shroud	OTDCS400T2L	1SCA136275R1001	2

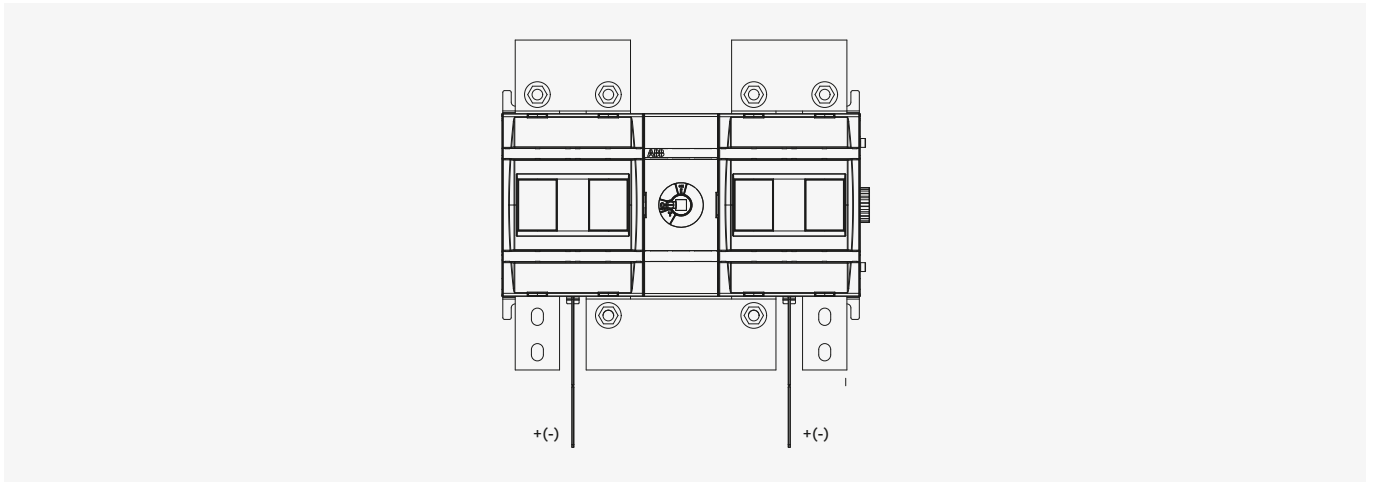
Circuit 6e, 1000 VDC



Description	Type	Order code	Needed quantity
<b>Accessories for OTDC600USPP</b>			
Connection bar kit	-	-	-
Shroud	OTDCS400T2L	1SCA136275R1001	2
	OTDCS400G4B	1SCA136274R1001	1

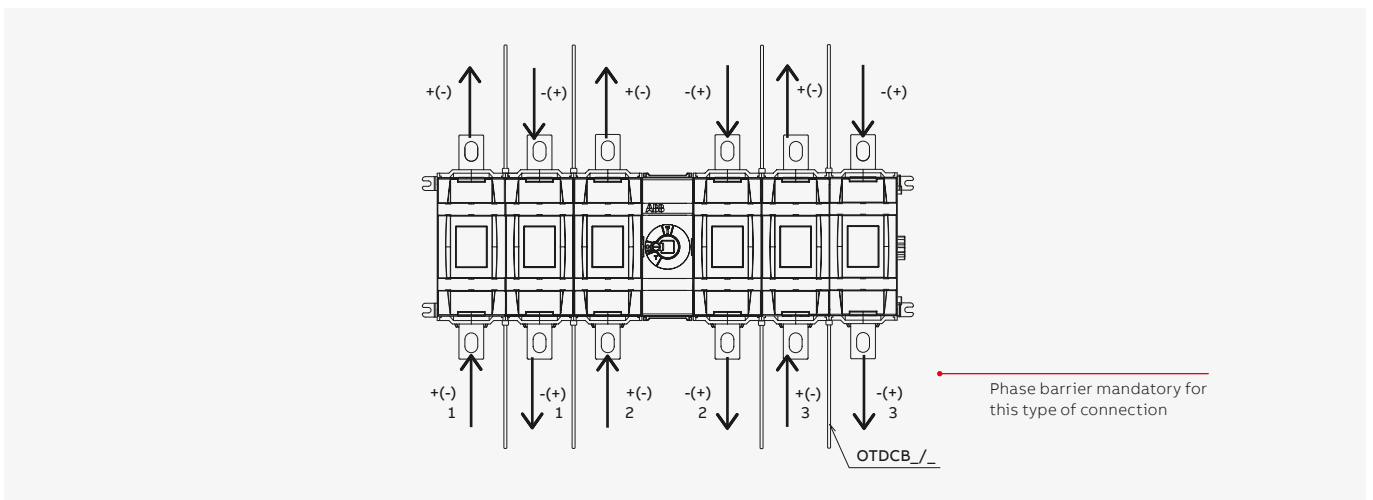


—  
Circuit 6m



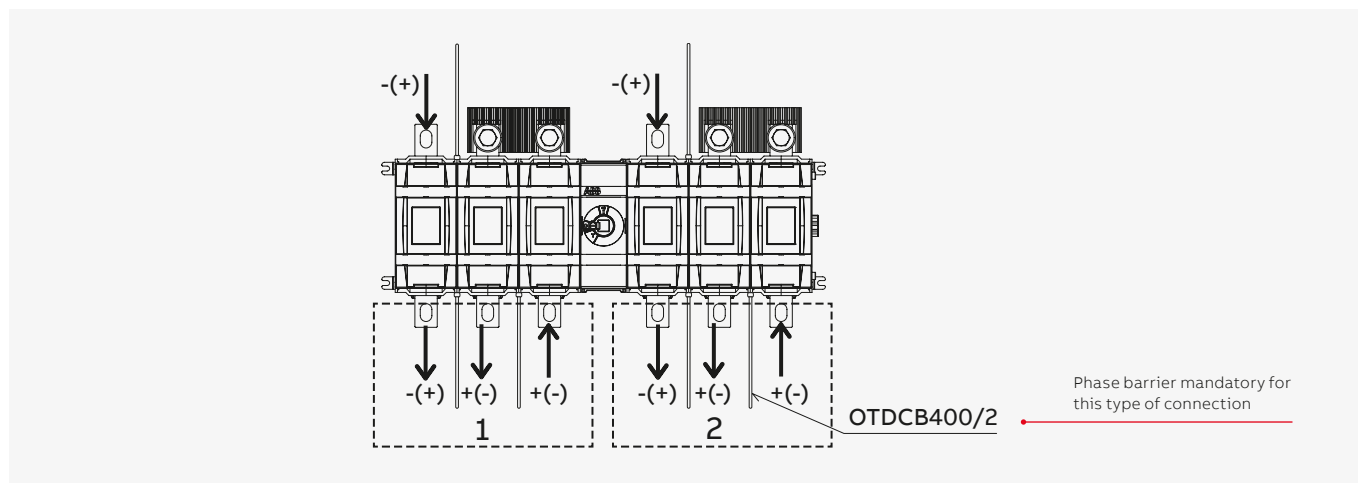
Description	Type	Order code	Needed quantity
<b>Accessories for OTDC1000...1600E22</b>			
Connection bar kit	OTDCKIT1250B11	1SCA143479R1001	2
Shroud	OTDCS1250T2	1SCA144021R1001	2
Connection bar kit	OTDCKIT1250B101	1SCA142335R1001	1
Shroud	OTDCS1250T3	1SCA143477R1001	1
<b>Accessories for OTDC100...200E</b>			
Connection bar kit	OTDCKIT250S11	1SCA148902R1001	2

—  
Circuit 7a, 1000 VDC



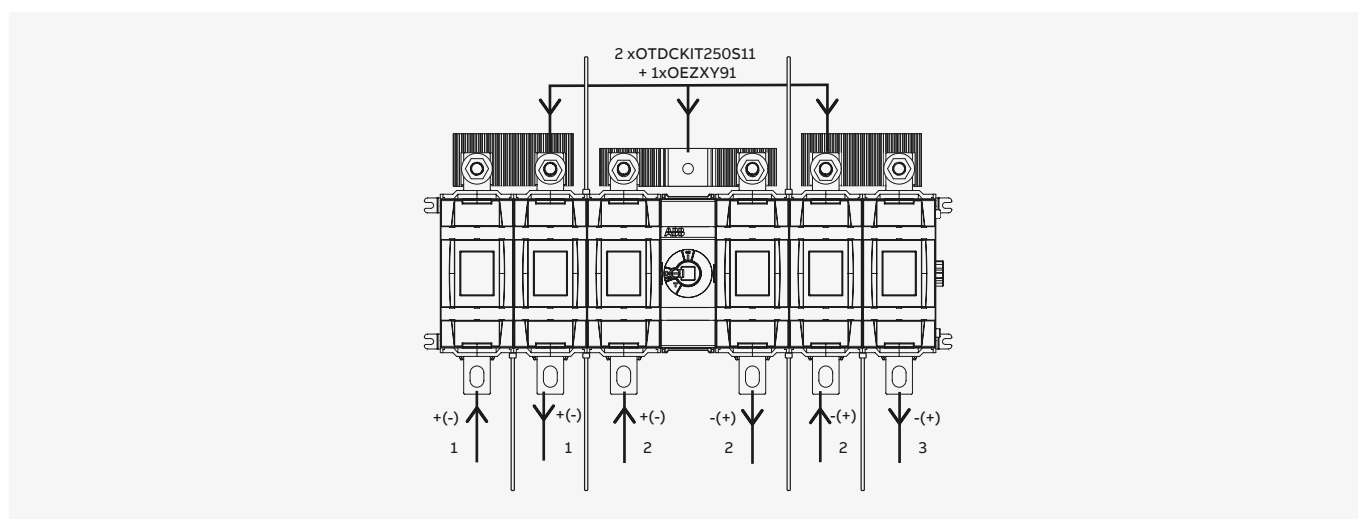
# Circuits

## Circuit 7b, 1500 VDC



Description	Type	Order code	Needed quantity
<b>Accessories for OTDC315...500E</b>			
Connection bar kit	OTDCKIT400B11	1SCA136282R1001	2
Shroud	OTDCS400T2L	1SCA136275R1001	2

## Circuit 7i, 1000 VDC



Description	Type	Order code	Needed quantity
<b>Accessories for OTDC100...200E33</b>			
Connection bar kit	OTDCKIT250S11	1SCA148902R1001	2
Connection bar kit	OEZXY91	1SCA125290R1001	1

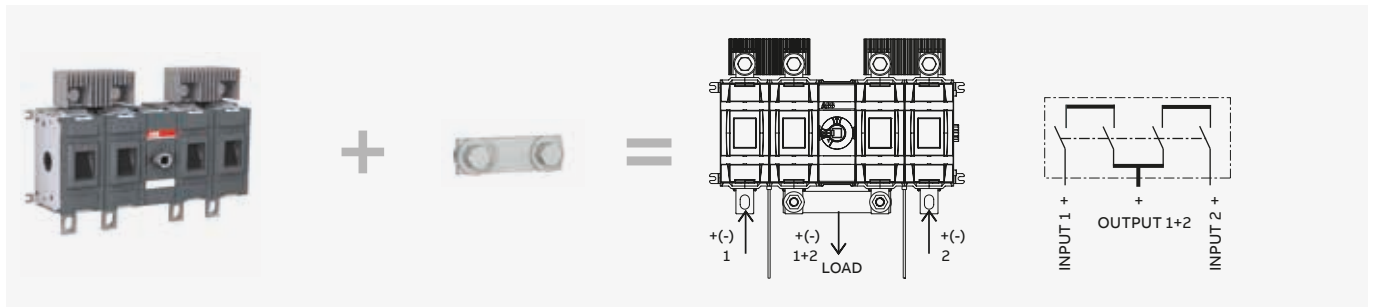
# Circuits

## Special solutions

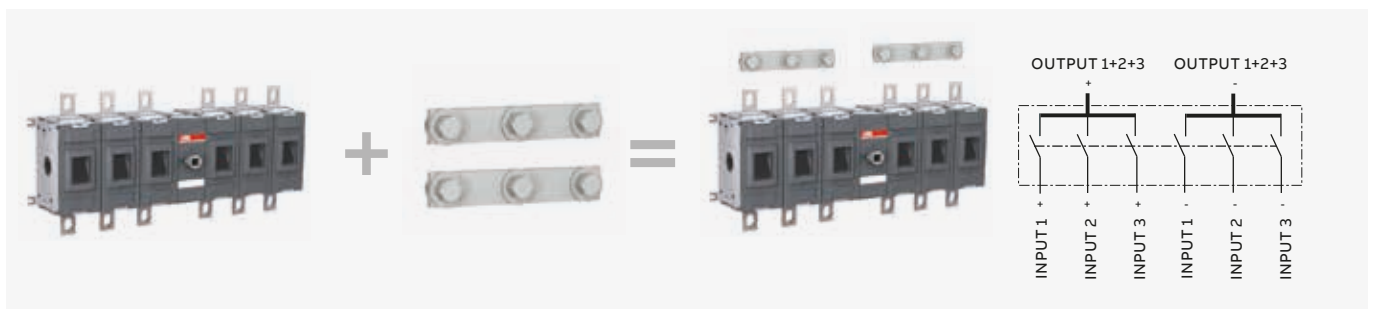
### Combined current outputs



Switch types	Pcs connection bar kits	Combined output
OTDC315...500E22 (IEC) OTDC250...400U22 (UL98B)	2 x OTDCKIT400B11	Current from input 1 + current from input 2: Up to 1000 A (IEC) Up to 800 A (UL)



Switch types	Pcs connection bar kits	Combined output
OTDC250...400US22 (UL98B)	1 x OTDCKIT400B101	Current from input 1 + current from input 2: Up to 800 A (UL)



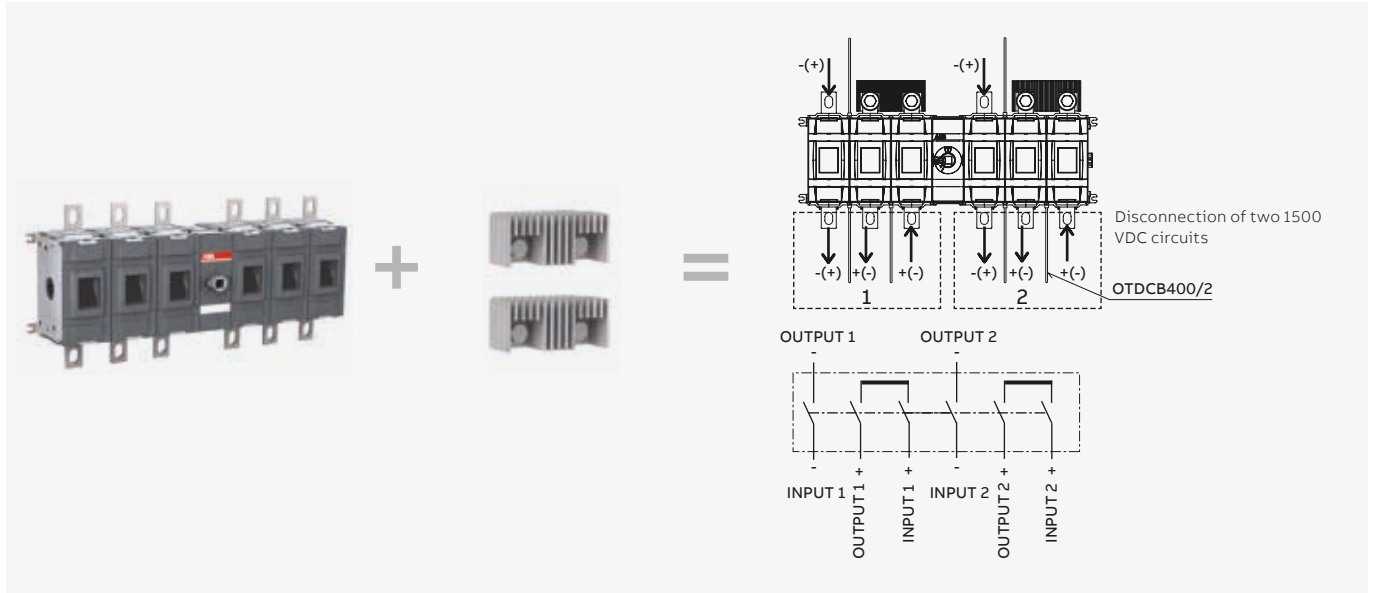
Switch types	Pcs connection bar kits	Combined output
OTDC315...500E33 (IEC)	2 x OTDCKIT400B111	Currents input 1+2+3 = Up to 1000 A (IEC)

**Up to 1000 A output in a 34% more compact solution.**

# Circuits

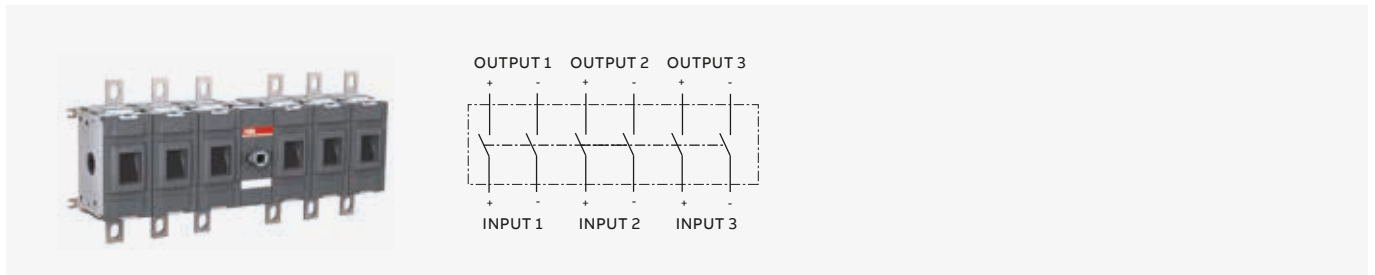
## Special solutions

Disconnecting of two circuits with one switch, 1500 VDC



Switch types	Pcs connection bar kits
OTDC315...500E33 (IEC)	2 x OTDCKIT400S11

Disconnecting of three circuits with one switch, 1000 VDC



Switch types
(no extra kits needed) OTDC315...500E33 (IEC)

---

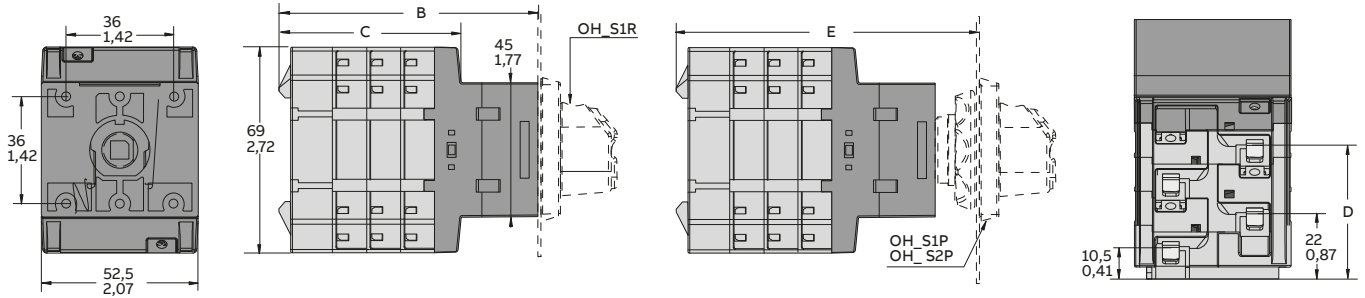
# Dimensional drawings

<b>094</b>	<b>16...32 (IEC and UL), door mounting</b>
<b>095</b>	<b>16...32 (IEC and UL), base mounting</b>
<b>096–098</b>	<b>100...250 (IEC and UL)</b>
<b>099</b>	<b>315...800 (IEC), 250...600 (UL)</b>
<b>100</b>	<b>100...400 (UL), side operated</b>
<b>101</b>	<b>Enclosed switch-disconnectors, jumpers</b>
<b>102</b>	<b>Connection bars</b>
<b>103–104</b>	<b>Plastic handles</b>
<b>105</b>	<b>Terminal shrouds</b>
<b>106–108</b>	<b>Shrouds for jumpers/connection bars</b>
<b>109–111</b>	<b>Terminal lugs</b>

# Dimensional drawings

## 16...32 (IEC and UL), door mounting

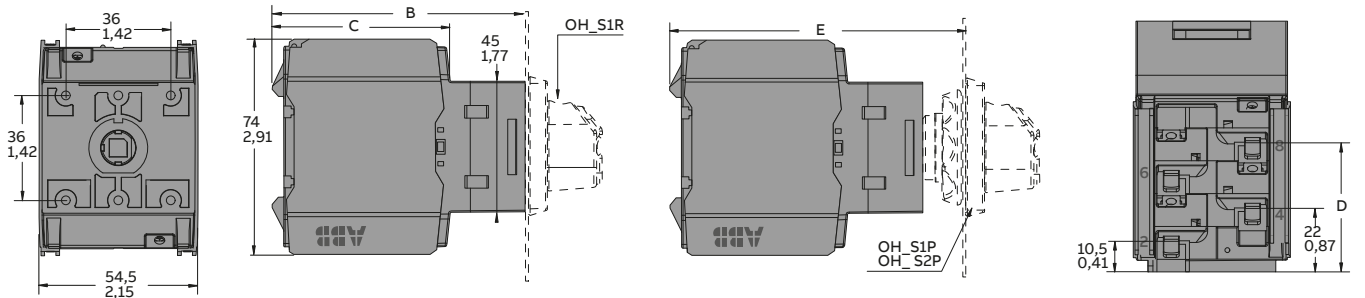
### OTDC16...32FT\_, door mounting (IEC)



[mm/in]	02	04	06
B	64/2,52	87/3,43	110/4,33
C	38/1,50	61/2,40	84/3,31
D	22/0,87	45/1,77	68/2,68
E	79/3,11	102/4,02	124,5/4,9

### OTDC16...OTDC32UT\_, door mounted (UL)

#### OTDC 16-32UT\_

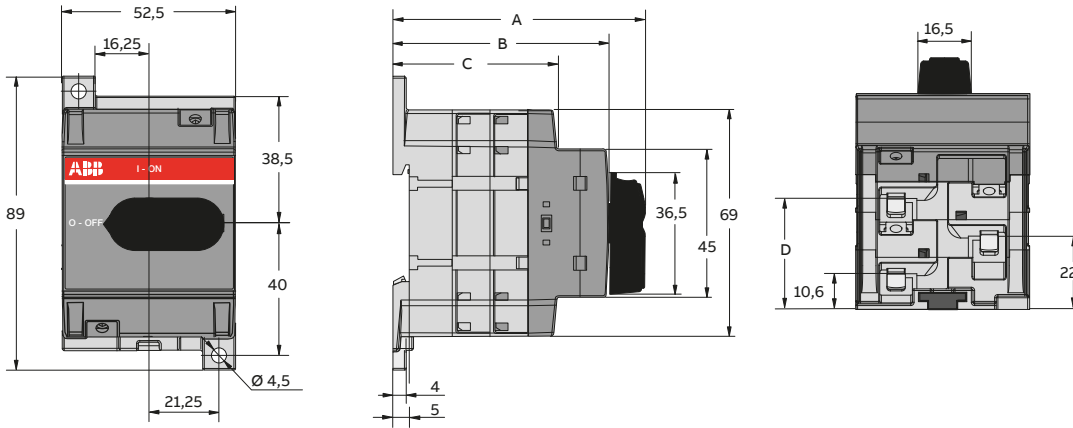


[mm/in]	02	04	06
B	64/2,52	87/3,43	110/4,33
C	38/1,50	61/2,40	84/3,31
D	22/0,87	45/1,77	68/2,68
E	79/3,11	102/4,02	124,5/4,9

# Dimensional drawings

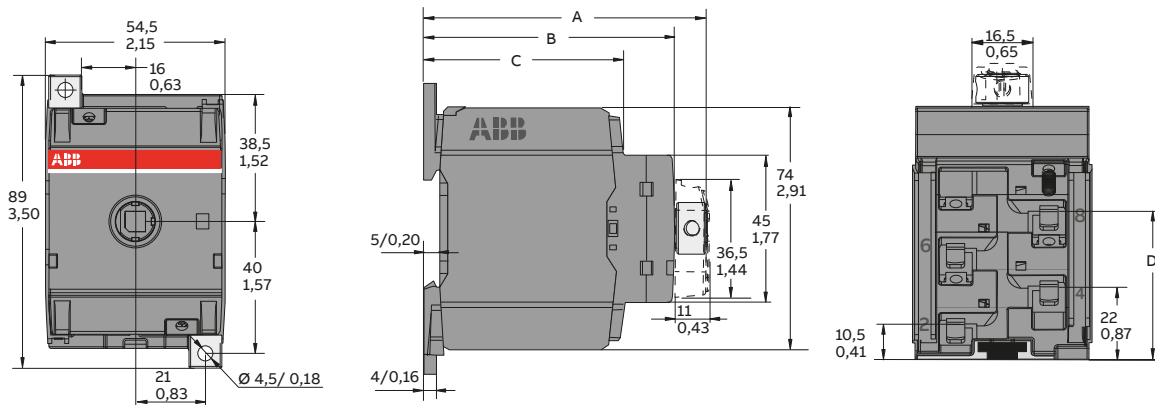
## 16...32 (IEC and UL), base mounting

### OTDC16...32F\_



Number of poles	A	B	C	D
2	66,2	54,1	38,3	22
3	77,6	65,5	49,7	33,4
4	89	76,9	61,1	44,8

### OTDC 16-36U\_



[mm/in]	02	04	06
B	64/2,52	87/3,43	109,5/4,31
C	54/2,13	77/3,03	100/3,94
D	38,5/1,52	61/2,40	84/3,31
E	22/0,87	45/1,77	67,5/2,66

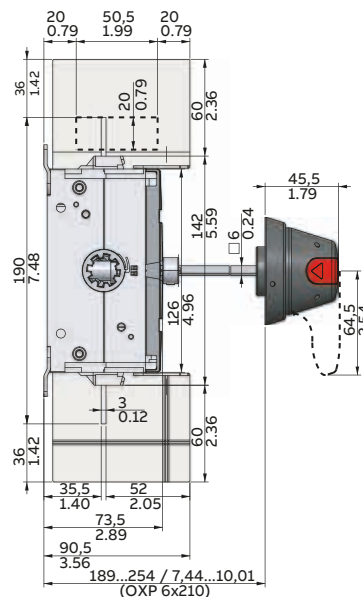
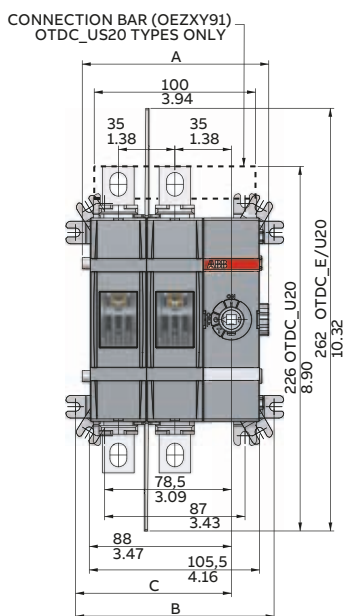
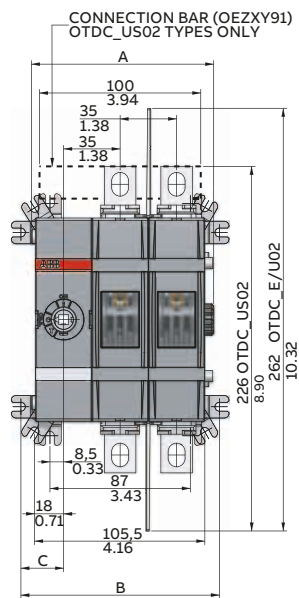
# Dimensional drawings

## 100...250 (IEC and UL)

**OTDC100, 160, 200, 250E02..20**

**OTDC100, 200, 245U02..20**

**OTDC100, 200, 245US02..20**



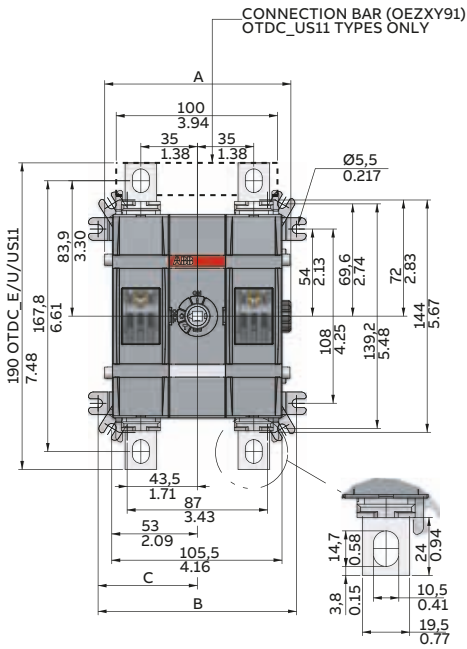
OTDC100..250E02  
OTDC100..245U02  
OTDC100..245US02

OTDC100..250E20  
OTDC100..245U20  
OTDC100..245US20

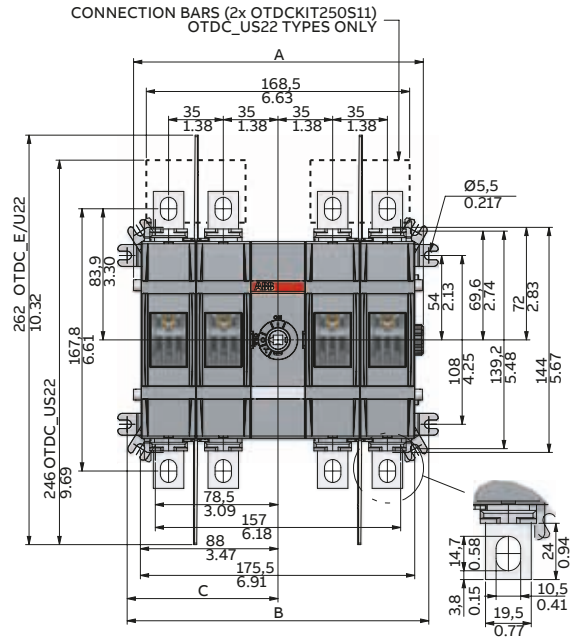
[mm/in]	02	20
A	113/4.45	115,6/4.55
B	123/4.84	123/4.84
C	26,5/1.04	96,5/3.80



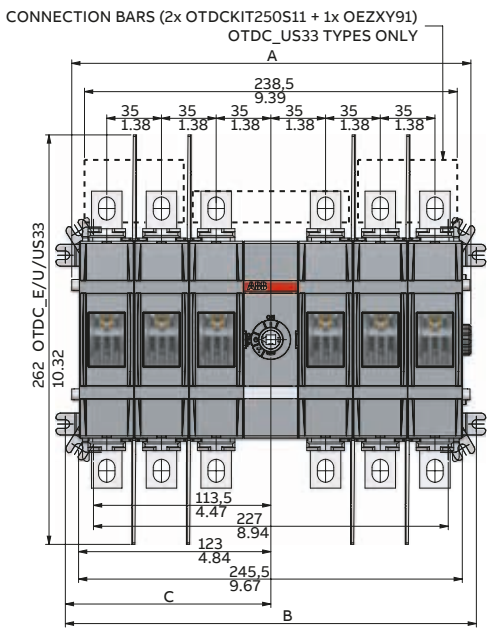
**OTDC100, 160, 200, 250E11..33 / OTDC100, 200U22..33, 245U11 / OTDC100, 200US22..33, 245US11**



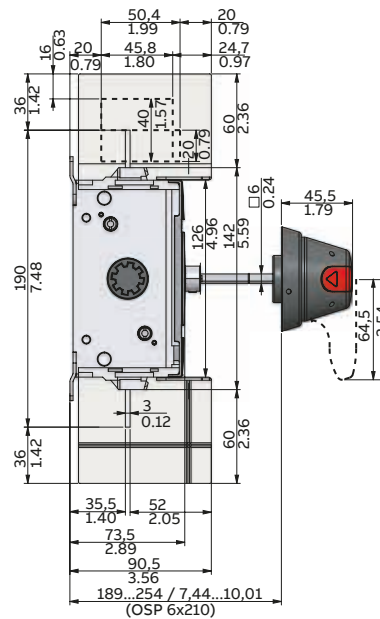
OTDC100..250E11, OTDC100..245U11, OTDC100..245US11



OTDC100..250E22, OTDC100..200U22, OTDC100..200US22



OTDC100..250E22, OTDC100..200U22, OTDC100..200US22



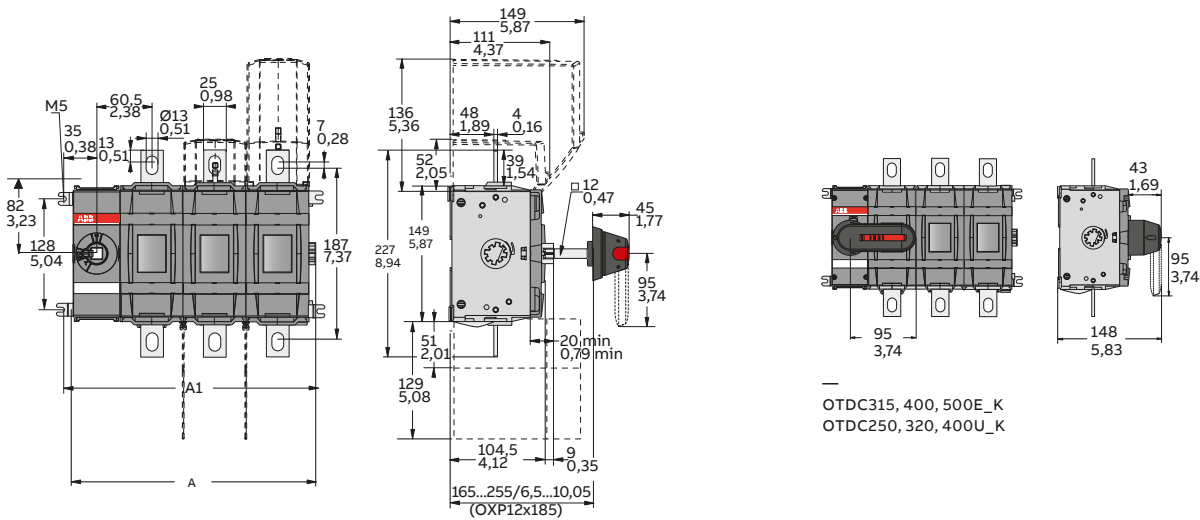
[mm/in]	11	22	33
A	115,4/4.54	185,4/7.30	255,4/10.06
B	123/4.84	193/7.60	263/10.35
C	61,5/2.42	96,5/3.80	131,5/5.18



# Dimensional drawings

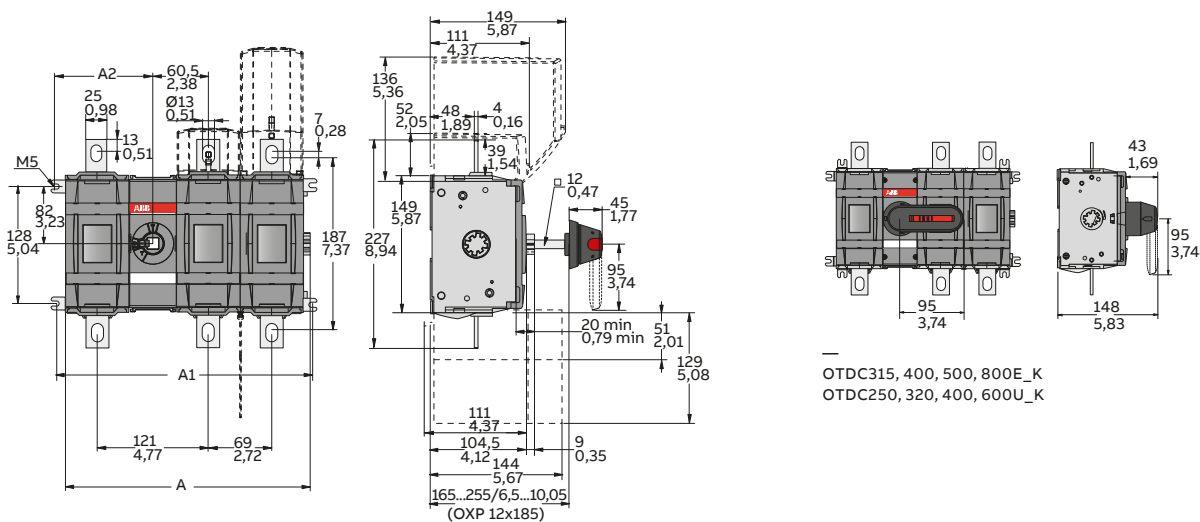
## 315...800 (IEC), 250...600 (UL)

**OTDC315/400/500E01-04, OTDC250/320/400U01-04 (IEC and UL)**  
**OTDC315, 400, 500E\_ / OTDC250, 320, 400U\_**



[mm/in]	01	02	03	D
A	130/5,12	199/7,84	268/10,56	337/13,28
A1	139/5,48	208/8,19	277/10,91	346/13,63

**OTDC315/400/500/800E11-33, OTDC250/320/400/600U11-33 (IEC and UL)**  
**OTDC315, 400, 500, 800E\_ <sup>1)</sup> / OTDC250, 320, 400, 600U\_ <sup>1)</sup>**



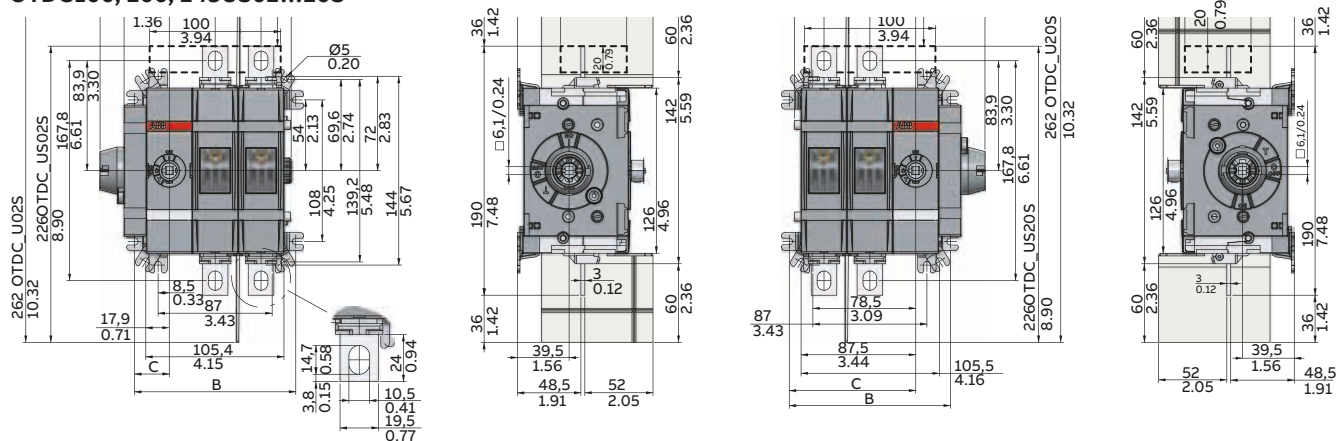
[mm/in]	11	12	13	22	33
A	197/7,76	266/10,48	335/13,2	335/13,2	473/18,62
A1	208/8,19	277/10,91	346/13,63	346/6,3	484/19,06
A2	104/4,1	104/4,1	104/4,1	173/6,81	242/19,53

<sup>1)</sup> 800E & 600U only available as \_22 version

# Dimensional drawings

## 100...400 (UL), side operated

**OTDC100, 200, 245U02...20S**  
**OTDC100, 200, 245U02...20S**

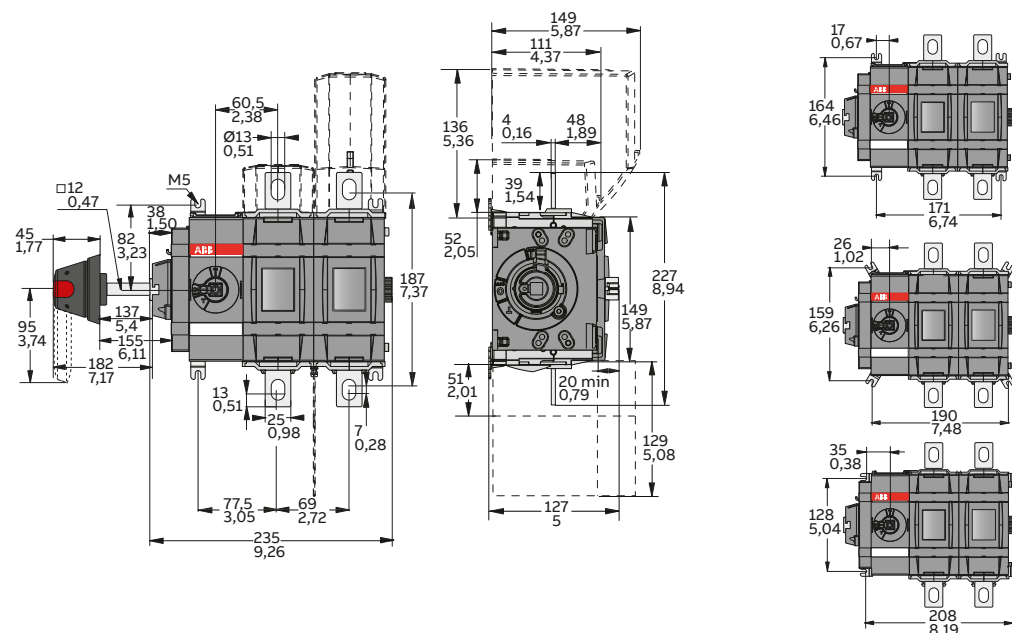


OTDC100..245U02S, OTDC100..245U02S

OTDC100..245U20S, OTDC100..245U20S

[mm/in]	02	20
A	145,8/5.74	145,2/5.72
B	123/4.84	123/4.84
C	26,5/1.04	96,5/3.80

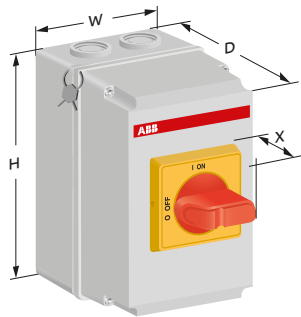
**OTDC250/400U02S (UL)**



# Dimensional drawings

## Enclosed switch-disconnectors, jumpers

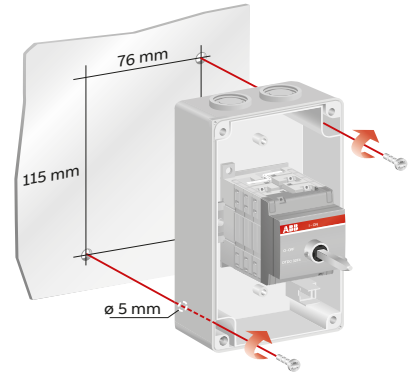
### OTDCP16...32 (IEC)



M16/M20 Cable entry

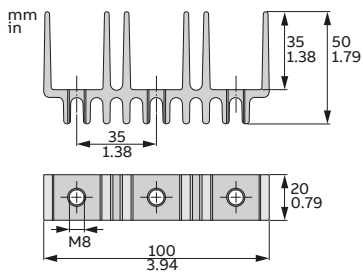


M25 Cable entry

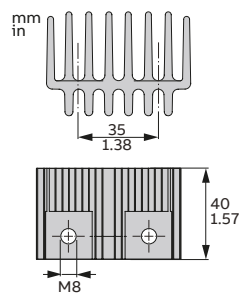


Type	Size [mm]			
Safety switch	H	W	D	E
<b>Enclosure with M25 cable entry</b>				
M25	174	95	95	34.5
<b>Enclosure with M20 and M16 cable entry</b>				
M20/M16	150	95	95	34.5

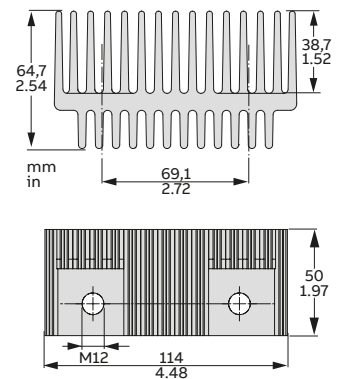
### OEZXY91 (IEC and UL)



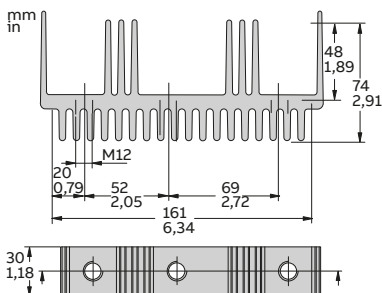
### OTDCKIT250S11 (IEC and UL)



### OTDCKIT400S11 (IEC and UL)



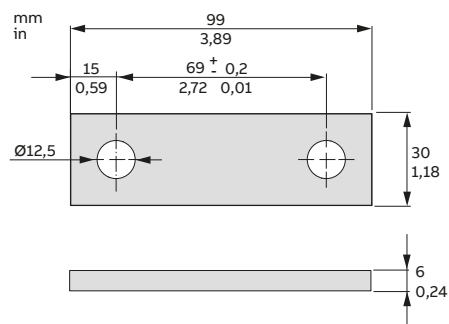
### OTDCKIT400S101 (IEC and UL)



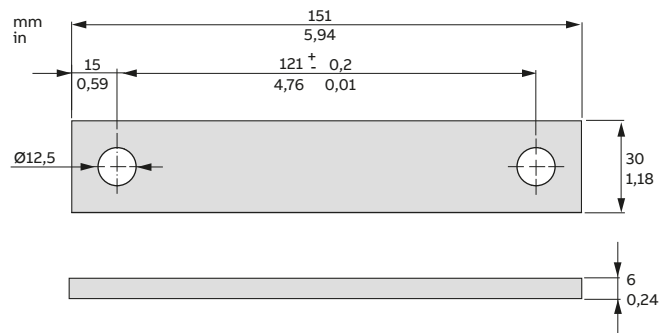
# Dimensional drawings

## Connection bars

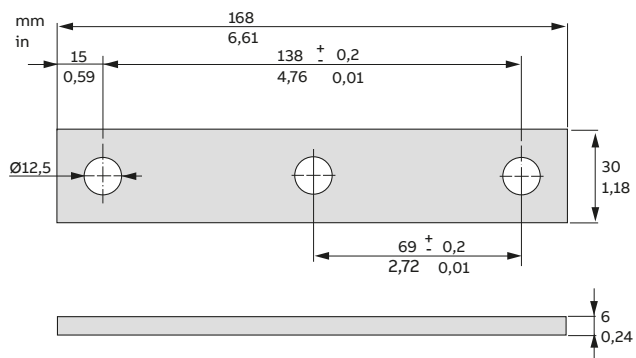
**OTDCKIT400B11 (IEC and UL)**



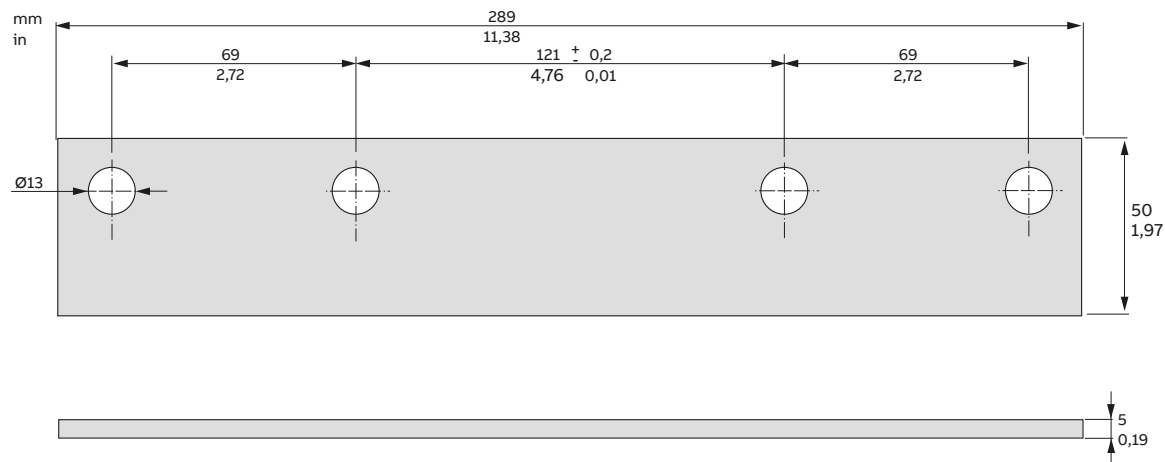
**OTDCKIT400B101 (IEC and UL)**



**OTDCKIT400B111 (IEC and UL)**



**OTDCKIT400B202 (IEC and UL)**



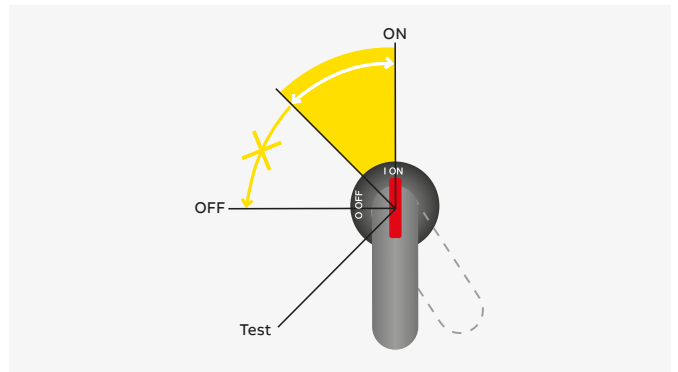
# Dimensional drawings

## Handles

### Handle indications and functions

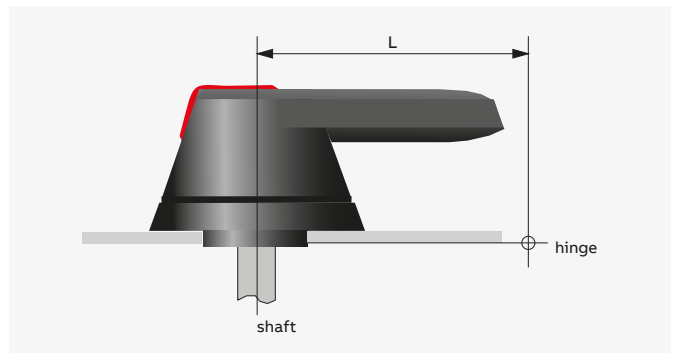
The handle indicates the position of the contacts with complete reliability in all situations. If the contacts are welded together, the handle does not reach the OFF-position but remains between ON and OFF, maintaining the door interlock and preventing padlocking.

When operating the switch fuse to the Test-position with a test handle the test auxiliary contacts change position. The main contacts remain open.

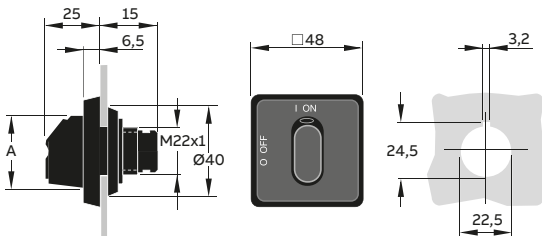


### Minimum distance L between the hinge and the rotating shaft

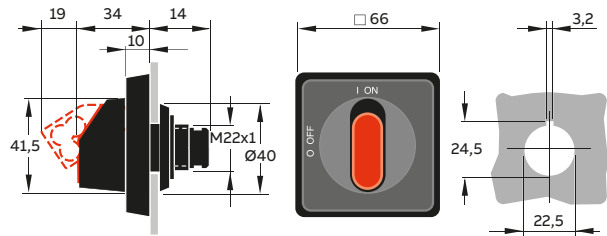
Sizes [A]	Length L	Handle type [mm]
OT160...250_P	60	OH_65J_
OT315...400_P	95	OH_95J_
OT630...800_P	150	OH_125J_
OT1000...2500_P	274	OH_274J_
OT1000...2500_P	330	OH_330J_
OETL3150	220	YASDA7, 8
OETL3150	275	OH_275J12



### Handles for base and DIN-rail mounted switches



OH\_S1A\_ / OH\_S3A\_



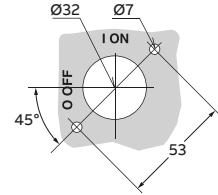
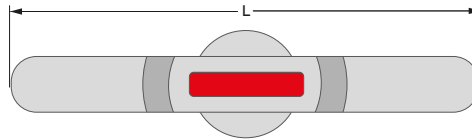
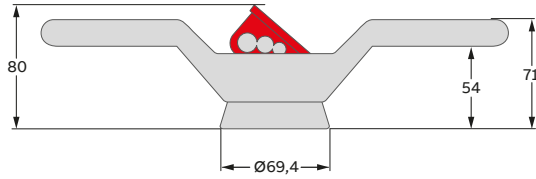
OH\_S2A\_

[mm]	OH_S1A_	OH_S3A_
A	31,5	37,5

# Dimensional drawings

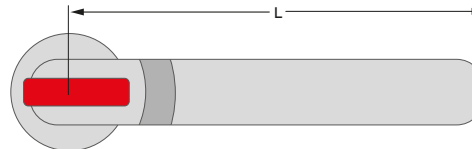
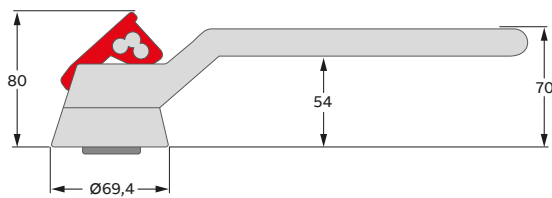
## Handles

### Plastic handles

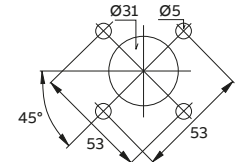
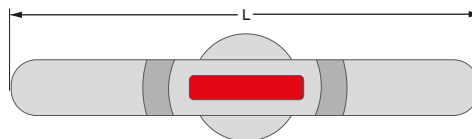
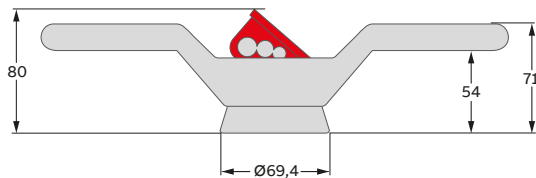


— Door drilling for OH\_handles

Handle type [mm]	Shaft diameter B	Length L
OH_65J6	6	65
OH_80J6	6	80
OH_95J12	12	95
OH_125J12	12	125
OH_145J12	12	145
OH_175J12	12	175
OH_275J12	12	275



Handle type [mm]	Length L
OH_274J12	274
OH_330J12	330



— Door drilling for OHB\_handles

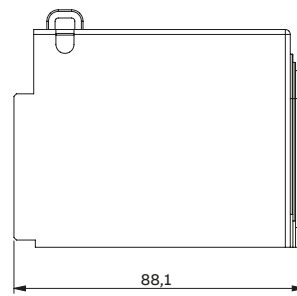
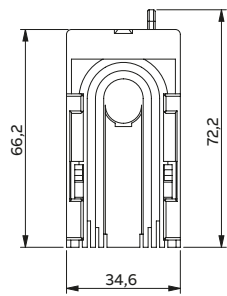
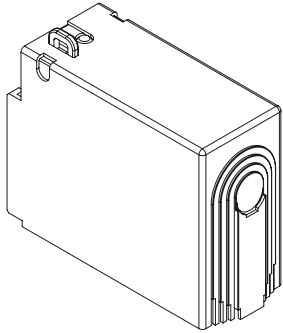
Handle type [mm]	Length L
OHB150J12P	300
OHB200J12P	400



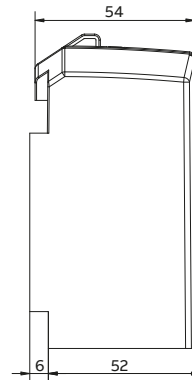
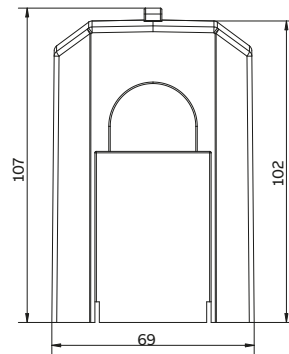
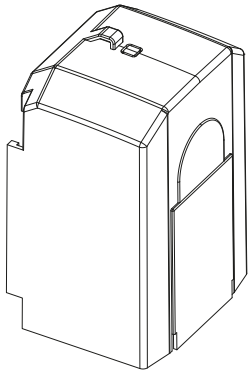
# Dimensional drawings

## Terminal shrouds

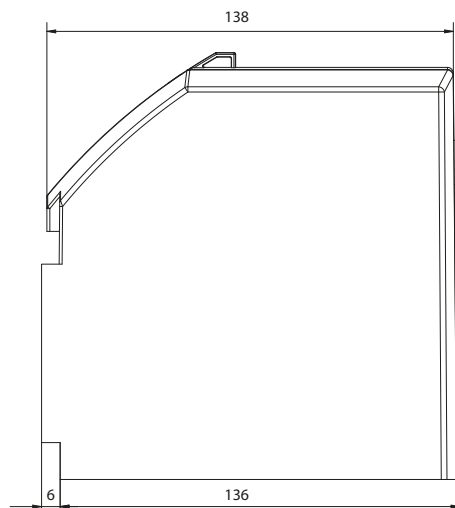
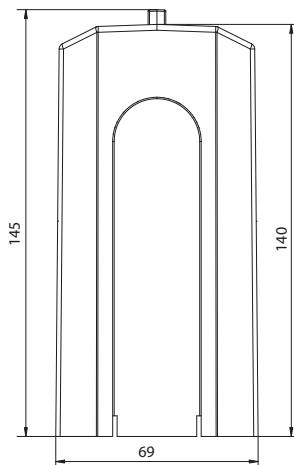
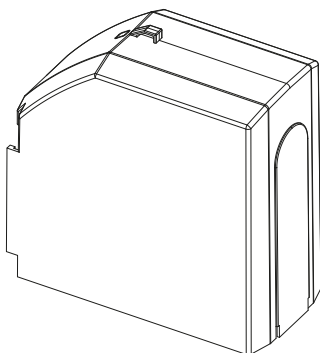
**OTS250\_1L/4**



**OTDCS400\_1S**



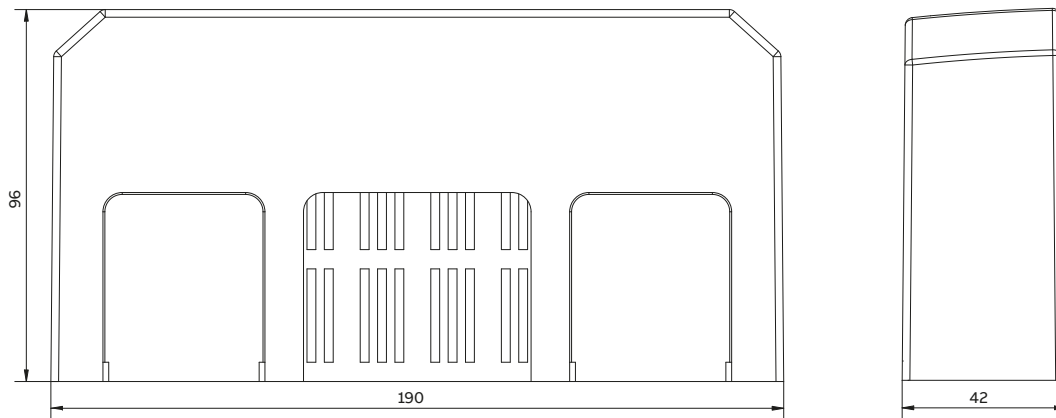
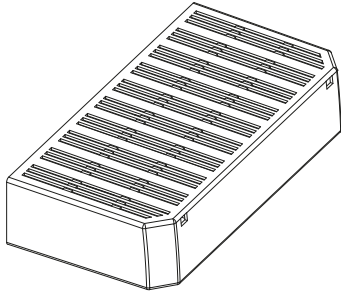
**OTDCS400\_1L**



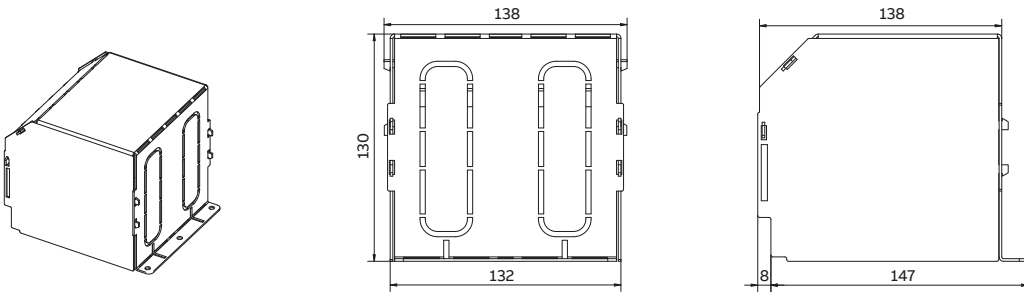
## Dimensional drawings

### Shrouds for jumpers/connection bars

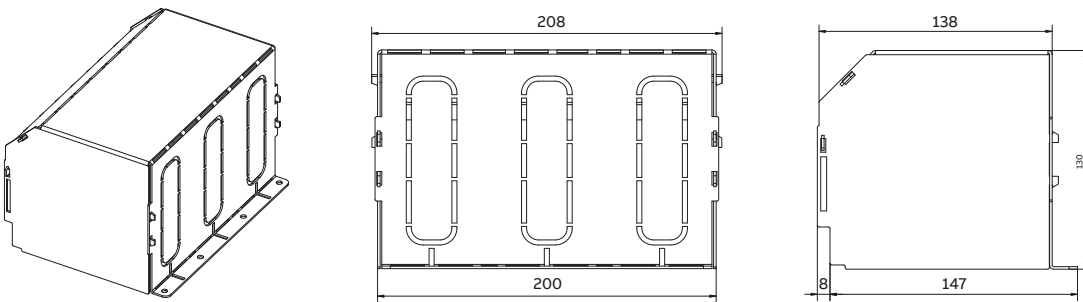
OEZXY97



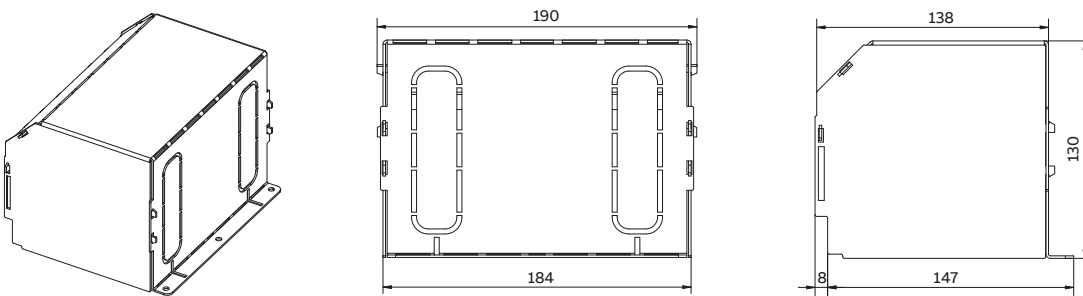
**OTDCS400T2L**



**OTDCS400T3L**



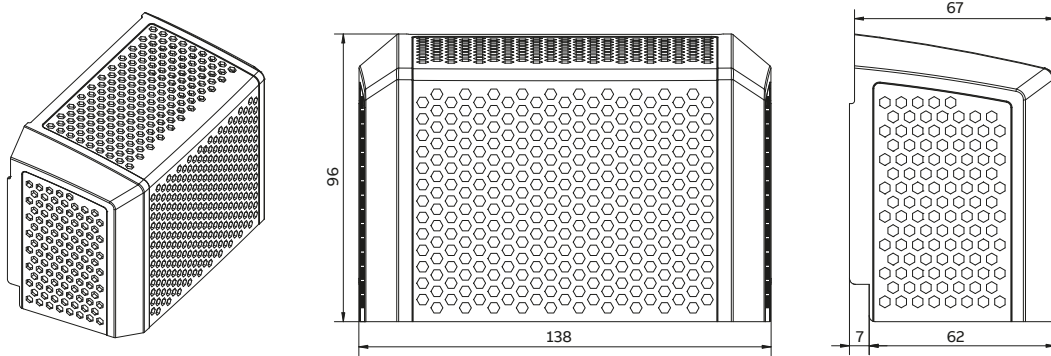
**OTDCS400T11L**



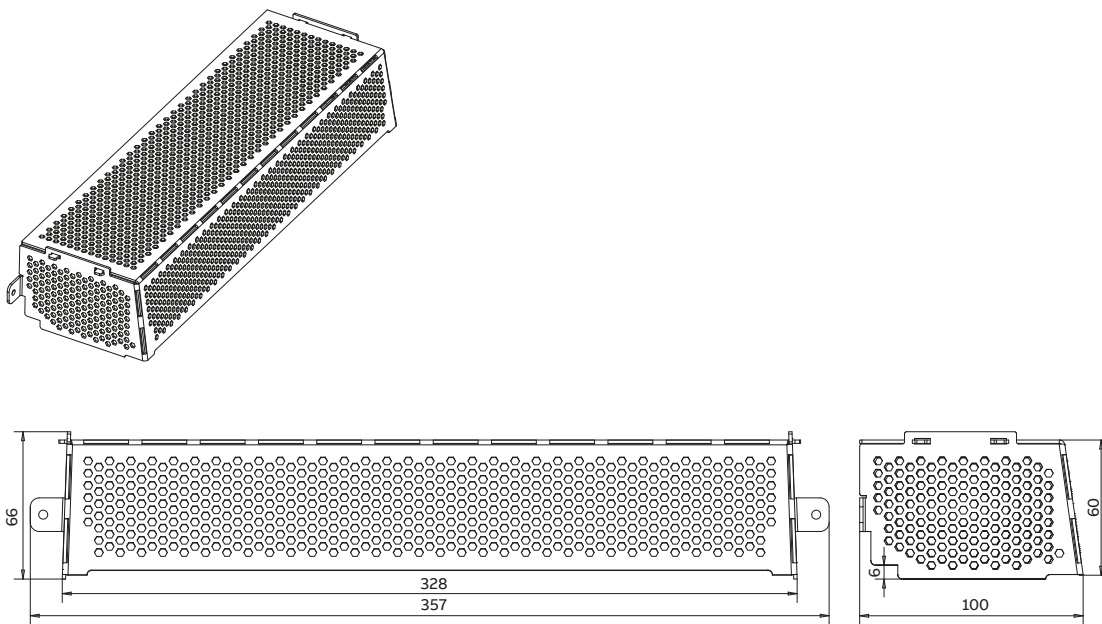
# Dimensional drawings

## Shrouds for jumpers/connection bars

**OTDCS400G2B**



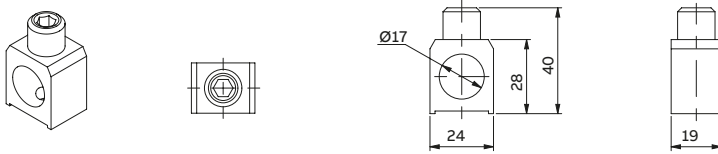
**OTDCS250G4B**



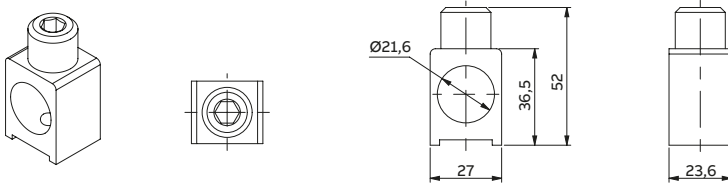
# Dimensional drawings

## Terminal lugs

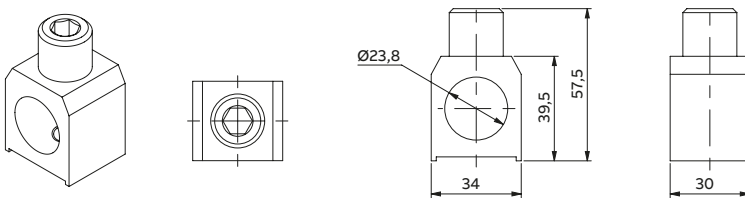
**OZXA200**



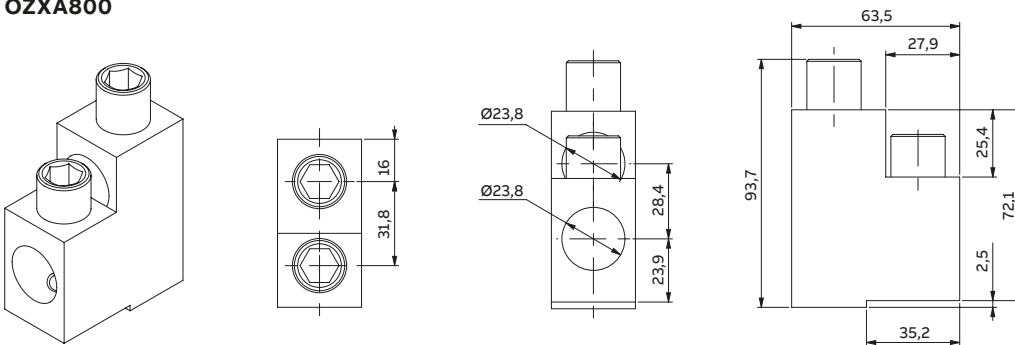
**OZXA250**



**OZXA400**



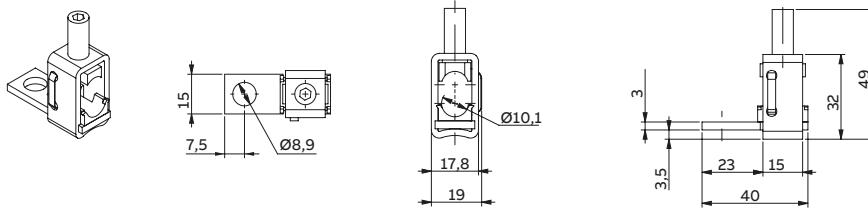
**OZXA800**



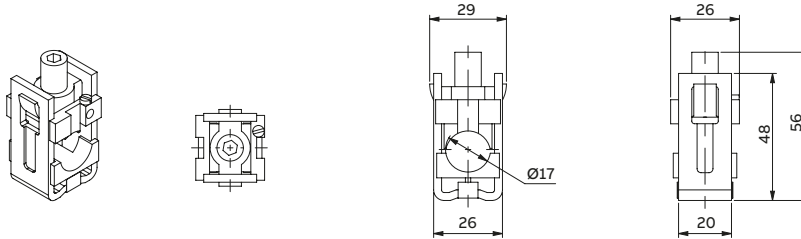
# Dimensional drawings

## Terminal lugs

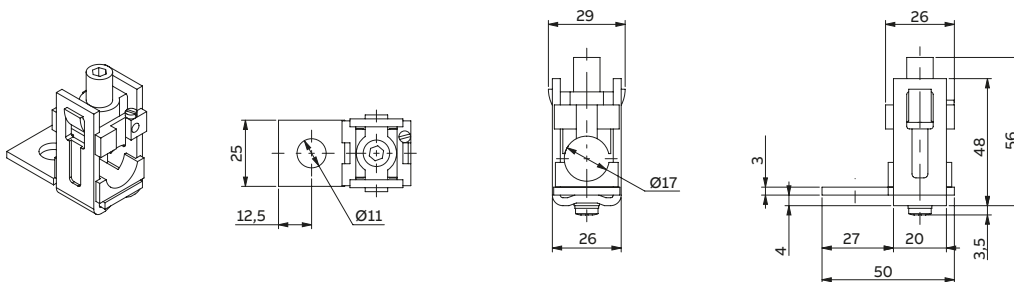
### OZXB1L



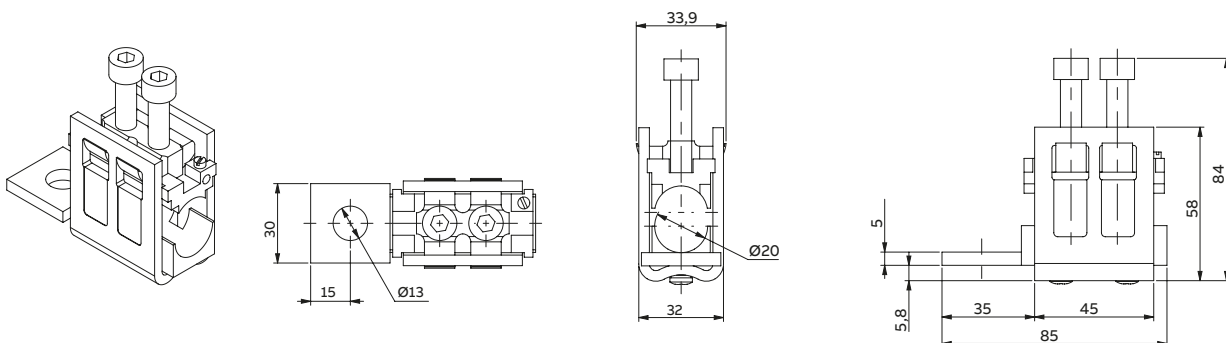
### OZXB2



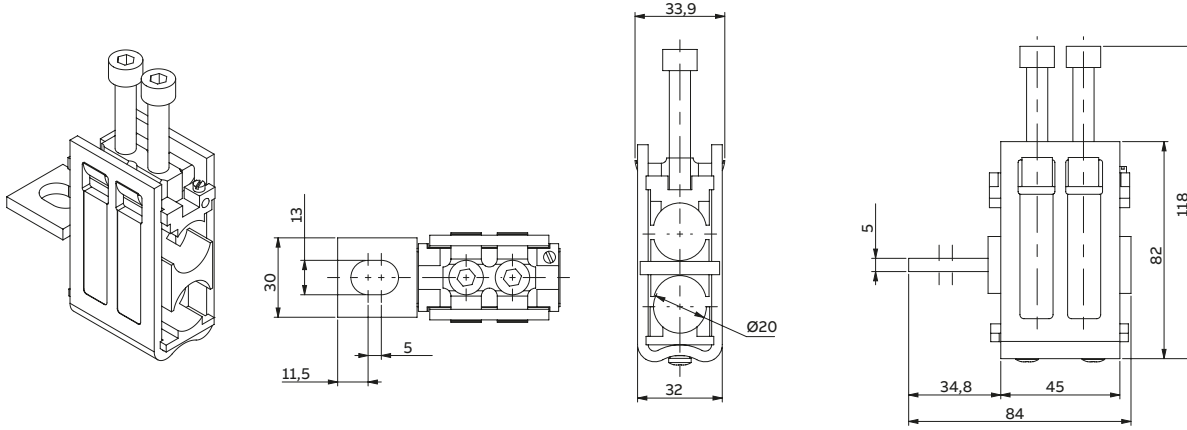
### OZXB2L



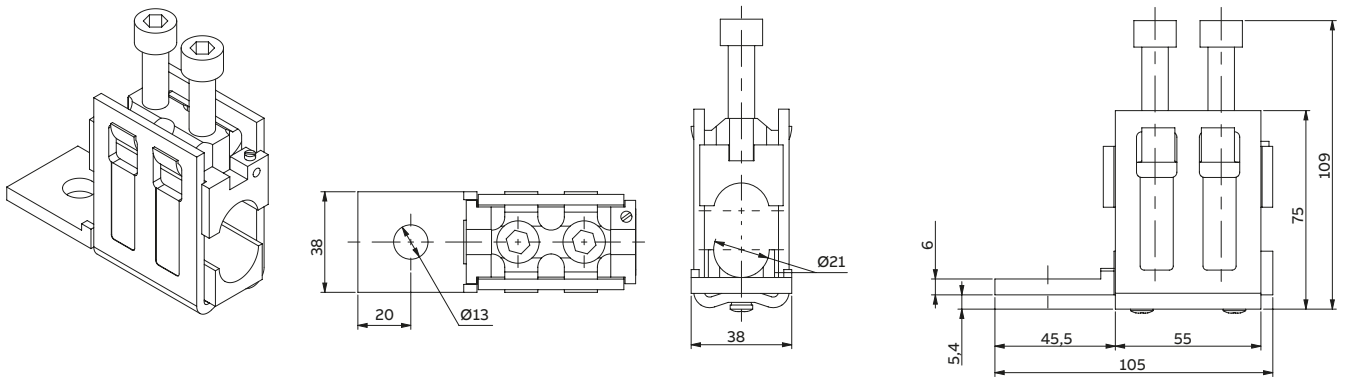
### OZXB3



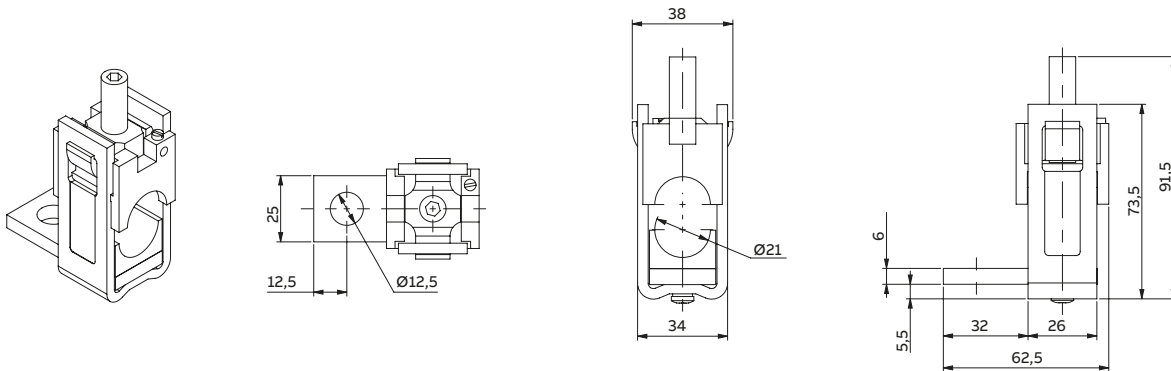
**OZXB4**



**OZXB5**



**OZXB7L**



---

A wide range of accessories makes our switch-disconnectors extremely versatile and adaptable for all applications.







# Index

# Index

Description	Type	Order number	Page
Auxiliary contact blocks	OA1G10	1SCA022353R4970	72
	OA3G01	1SCA022456R7410	72
	OEA28	1SCA022714R8810	72
Bolt kit	M8x25	-	37-38
	M10x30	-	39-43, 57-60
	M12x40	-	39-44, 57-61
		-	
Connection kit	OTDCKIT400B111	-	41, 58
	OTDCKIT400S11	-	43
Direct mount handles	OTDV250EK	1SCA127390R1001	68
	OTDVY250EK	1SCA127391R1001	68
	OTDV400EK	1SCA130579R1001	68
	OTDV500EK	1SCA135915R1001	68
	OTDV400EK2	1SCA137301R1001	68
	OTDV400ESK	1SCA136041R1001	68
	OTV1000EK	1SCA106608R1001	68
Double circuit, 1000 VDC, IEC	OTDC100E22	1SCA125824R1001	36
	OTDC160E22	1SCA125844R1001	36
	OTDC200E22	1SCA125856R1001	36
	OTDC250E22	1SCA125869R1001	36
Double circuit, 1000 VDC, UL98B	OTDC250US22	1SCA131030R1001	58
	OTDC320US22	1SCA131032R1001	58
	OTDC400US22	1SCA132300R1001	58
	OTDC250U22	1SCA131003R1001	58
	OTDC320U22	1SCA131006R1001	58
	OTDC400U22	1SCA131010R1001	58
Double circuit and load side combining, 1000 VDC, IEC	OTDC315E22	1SCA131001R1001	40
	OTDC400E22	1SCA131036R1001	40
	OTDC500E22	1SCA132142R1001	40
Double circuit, 1500 VDC, IEC	OTDC315E33	1SCA137230R1001	43
	OTDC400E33	1SCA137231R1001	43
	OTDC500E33	1SCA137234R1001	43
Extended shafts for pistol handles	EXP6X130	1SCA022057R0570	70
	EXP6X150	1SCA022295R5600	70
	EXP6X161	1SCA022067R1760	70
	EXP6X210	1SCA022295R6080	70
	EXP6X290	1SCA022042R6370	70
	EXP12X166	1SCA022325R7100	70
	EXP12X185	1SCA022325R6710	70
	EXP12X250	1SCA022325R6980	70
	EXP12X280	1SCA022137R5140	70
	EXP12X325	1SCA022042R5810	70
	EXP12X395	1SCA022042R5990	70
	EXP12X465	1SCA022042R6020	70
	EXP12X535	1SCA022042R6110	70

Description	Type	Order number	Page
Extended shafts for selector handles	OX6X85	1SCA101647R1001	70
	OX6X105	1SCA108043R1001	70
	OX6X120	1SCA101654R1001	70
	OX6X130	1SCA101655R1001	70
	OX6X160	1SCA101656R1001	70
	OX6X180	1SCA101659R1001	70
Handle	OX6X250	1SCA101660R1001	70
	OHB65J6	-	37-38
	OTDV250EK	-	37-38
	OHB95J12	-	39-40, 42, 44, 57-61
Handle knobs for base and DIN rail mounted switches	OTDV400EK	-	39-44, 57-61
	OHB145J12	-	41, 43
	OHBS1	1SCA109087R1001	64
Mechanism interlock kits and electrical interlocks	OHBS1/1	1SCA109088R1001	64
	OHRS1	1SCA109095R1001	64
	OHRS1/1	1SCA109096R1001	64
	OHBS2	1SCA109089R1001	64
	OHBS2/1	1SCA109090R1001	64
	OHRS2	1SCA108598R1001	64
	OHRS2/1	1SCA108599R1001	64
	OHBS3	1SCA108320R1001	64
	OHBS3/1	1SCA108319R1001	64
	OHRS3	1SCA108667R1001	64
Mounting feet	OHRS3/1	1SCA108688R1001	64
	OTZT2A	1SCA106523R1001	76
	OTZT4A	1SCA106526R1001	76
	OTZT2L	1SCA106529R1001	76
	OTZT4L	1SCA106531R1001	76
	OZXB1/L	1SCA022169R2030	76
	OZXB2/1	1SCA022119R7610	76
OZXB2L/1	1SCA022158R7750	76	
OH_ handles for side operation: IP 65, NEMA 1,3R, 12	OZXB3/1	1SCA022136R8100	76
	OZXB4/1	1SCA022137R4760	76
	OZXB5/1	1SCA022137R2470	76
	OZXB7L/1	1SCA022185R7130	76
	OZXA200/1	1SCA022747R8940	76
	OEZKL10/4	1SCA132180R1001	71
	OHB65J6E00S	1SCA022382R9850	69
OHY65J6E00S	1SCA022382R9930	69	
OHG65J6E00S	1SCA022383R4510	69	
OHB65J6TE00S	1SCA109016R1001	69	
OHY65J6TE00S	1SCA022688R0140	69	
OHG65J6TE00S	1SCA109014R1001	69	
OHB145J12E00S	1SCA022679R9700	69	

Description	Type	Order number	Page	
OTDC16...32U_T	OTDC16UT2	1SCA134387R1001	31, 50	
	OTDC25UT2	1SCA134388R1001	31, 50	
	OTDC16UST2	1SCA134581R1001	31, 50	
	OTDC25UST2	1SCA134578R1001	31, 50	
	OTDC32UT2	1SCA141966R1001	31, 50	
	OTDC16UT4	1SCA134390R1001	31, 50	
	OTDC25UT4	1SCA134391R1001	31, 50	
	OTDC32UT4	1SCA136705R1001	31, 50	
	OTDC16UST4	1SCA134582R1001	31, 50	
	OTDC25UST4	1SCA134579R1001	31, 50	
	OTDC32UST4	1SCA136706R1001	31, 50	
	OTDC16UT6	1SCA134580R1001	32, 52	
	OTDC16UST6	1SCA134583R1001	32, 52	
	Phase separators	OTDCB250/2	1SCA148901R1001	71
		OTDCB400/2	1SCA132183R1001	71
	Pistol handles	OHB65J6	1SCA022380R9660	67
OHY65J6		1SCA022380R9820	67	
OHG65J6		1SCA022380R9740	67	
OHB80J6		1SCA022381R0240	67	
OHY80J6		1SCA022381R0410	67	
OHG80J6		1SCA022381R0320	67	
OHB65J6T		1SCA022399R8110	67	
OHY65J6T		1SCA022456R9540	67	
OHB95J12		1SCA022381R0830	67	
OHY95J12		1SCA022381R1050	67	
OHG95J12		1SCA022381R0910	67	
OHB125J12		1SCA022381R1560	67	
OHY125J12		1SCA022381R1720	67	
OHG125J12		1SCA022381R1640	67	
OHB145J12		1SCA022381R2110	67	
OHB95J12T		1SCA022736R1750	67	
OHY95J12T		1SCA022736R1910	67	
OHB125J12T		1SCA022652R2220	67	
OHY125J12T		1SCA022652R2310	67	
OHB274J12		1SCA115920R1001	67	
OHY274J12		1SCA115919R1001	67	

Description	Type	Order number	Page
Plastic enclosed switch-disconnectors OTDCP_, IEC	OTDCP16SA11M	1SCA125126R1001	33
	OTDCP25SA11M	1SCA125127R1001	33
	OTDCP32SA11M	1SCA125128R1001	33
	OTDCP16S11M	1SCA125129R1001	33
	OTDCP25S11M	1SCA125130R1001	33
	OTDCP32S11M	1SCA125131R1001	33
	OTDCP16SA12M	1SCA125150R1001	33
	OTDCP25SA12M	1SCA125151R1001	33
	OTDCP32SA12M	1SCA125152R1001	33
	OTDCP16S12M	1SCA125153R1001	33
	OTDCP25S12M	1SCA125154R1001	33
	OTDCP32S12M	1SCA125155R1001	33
	OTDCP16SA22M	1SCA125094R1001	34
	OTDCP25SA22M	1SCA125091R1001	34
	OTDCP32SA22M	1SCA125090R1001	34
	OTDCP16SA22M25	1SCA144900R1001	34
	OTDCP25SA22M25	1SCA144902R1001	34
	OTDCP32SA22M25	1SCA144904R1001	34
	OTDCP16S22M	1SCA125095R1001	34
	OTDCP25S22M	1SCA125092R1001	34
	OTDCP32S22M	1SCA125093R1001	34
	OTDCP16SA22MD	1SCA131850R1001	34
	OTDCP25SA22MD	1SCA131851R1001	34
	OTDCP32SA22MD	1SCA131852R1001	34
OTDCP16S22MD	1SCA131730R1001	34	
OTDCP25S22MD	1SCA131731R1001	34	
OTDCP32S22MD	1SCA131732R1001	34	
Selector handles for base and DIN-rail mounted switches	OHBS1AH	1SCA102680R1001	66
	OHYS1AH	1SCA105290R1001	66
	OHBS1AH1	1SCA105210R1001	66
	OHYS1AH1	1SCA105291R1001	66
	OHBS3AH	1SCA105234R1001	66
	OHYS3AH	1SCA105325R1001	66
	OHBS3AH1	1SCA105235R1001	66
	OHYS3AH1	1SCA105326R1001	66
	OHBS2AJ	1SCA105213R1001	66
	OHYS2AJ	1SCA105296R1001	66
	OHBS2AJ1	1SCA105215R1001	66
	OHYS2AJ1	1SCA105297R1001	66
OHBS2AJEH	1SCA108230R1001	66	
Selector handles, for door mounted switches	OHBS1PH	1SCA105211R1001	65
	OHYS1PH	1SCA105294R1001	65
	OHBS3PH	1SCA105236R1001	65
	OHYS3PH	1SCA105327R1001	65
	OHBS2PJ	1SCA105231R1001	65
	OHYS2PJ	1SCA105322R1001	65
	OHBS1RH	1SCA105212R1001	65
	OHYS1RH	1SCA105295R1001	65
	OHBS3RH	1SCA105237R1001	65
	OHYS3RH	1SCA105328R1001	65
	OHBS2RJ	1SCA105232R1001	65
	OHYS2RJ	1SCA105323R1001	65

# Index

Description	Type	Order number	Page
Shaft	EXP6X210	-	37-38
	EXP12x185	-	39-44, 57-61
Shroud	OTDCS400T3L	-	41
	OTDCS400G2B	-	43
	OTDCS400T2L	-	58
Short circuit and connection bar kits	OEZXY91	1SCA125290R1001	73
	OTDCKIT250S11	1SCA148902R1001	73
	OTDCKIT400S101	1SCA136280R1001	73
	OTDCKIT400S11	1SCA136281R1001	73
	OTDCKIT400B11	1SCA136282R1001	73
	OTDCKIT400B111	1SCA136284R1001	73
	OTDCKIT400B202	1SCA136285R1001	73
	OTDCKIT400B101	1SCA136283R1001	73
Side operated, single circuit, 1000 VDC, UL98B	OTDC250US20S	1SCA135730R1001	59
	OTDC320US20S	1SCA135734R1001	59
	OTDC400US20S	1SCA135726R1001	59
	OTDC250U20S	1SCA135729R1001	59
	OTDC320U20S	1SCA135733R1001	59
	OTDC400U20S	1SCA135725R1001	59
Single circuit, 1000 VDC, IEC	OTDC100US02	1SCA126155R1001	52
	OTDC200US02	1SCA126121R1001	52
	OTDC245US02	1SCA149106R1001	52
	OTDC100U02	1SCA126184R1001	52
	OTDC200U02	1SCA126123R1001	52
	OTDC245U02	1SCA149100R1001	52
	OTDC100US11	1SCA125437R1001	52
	OTDC200US11	1SCA125436R1001	52
	OTDC245US11	1SCA149108R1001	52
	OTDC100U11	1SCA123957R1001	52
	OTDC200U11	1SCA123767R1001	52
	OTDC245U11	1SCA149102R1001	52
	OTDC250US02	1SCA132335R1001	57
	OTDC320US02	1SCA132345R1001	57
	OTDC400US02	1SCA132354R1001	57
	OTDC250U02	1SCA132330R1001	57
	OTDC320U02	1SCA132341R1001	57
	OTDC400U02	1SCA132352R1001	57
	OTDC250US11	1SCA131012R1001	57
	OTDC320US11	1SCA131013R1001	57
	OTDC400US11	1SCA131014R1001	57
	OTDC250U11	1SCA130985R1001	57
	OTDC320U11	1SCA130986R1001	57
	OTDC400U11	1SCA130990R1001	57
	OTDC600USPP22	1SCA137213R1001	61

Description	Type	Order number	Page
Single circuit, 1000 VDC, UL98B	OTDC100US02	1SCA126155R1001	52
	OTDC200US02	1SCA126121R1001	52
	OTDC245US02	1SCA149106R1001	52
	OTDC100U02	1SCA126184R1001	52
	OTDC200U02	1SCA126123R1001	52
	OTDC245U02	1SCA149100R1001	52
	OTDC100US11	1SCA125437R1001	52
	OTDC200US11	1SCA125436R1001	52
	OTDC245US11	1SCA149108R1001	52
	OTDC100U11	1SCA123957R1001	52
	OTDC200U11	1SCA123767R1001	52
	OTDC245U11	1SCA149102R1001	52
Single circuit, 1500 VDC, IEC	OTDC250US02	1SCA132335R1001	57
	OTDC320US02	1SCA132345R1001	57
	OTDC400US02	1SCA132354R1001	57
	OTDC250U02	1SCA132330R1001	57
	OTDC320U02	1SCA132341R1001	57
	OTDC400U02	1SCA132352R1001	57
	OTDC250US11	1SCA131012R1001	57
	OTDC320US11	1SCA131013R1001	57
	OTDC400US11	1SCA131014R1001	57
	OTDC250U11	1SCA130985R1001	57
	OTDC320U11	1SCA130986R1001	57
	OTDC400U11	1SCA130990R1001	57
Single circuit, 1500 VDC, UL98B	OTDC600USPP22	1SCA137213R1001	61
	OTDC600UPP22	1SCA137207R1001	61
	OTDC800U22	1SCA142338R1001	62
	OTDC1000U22	1SCA143712R1001	62
	OTDC800U22K	1SCA143721R1001	62
	OTDC1000U22K	1SCA143713R1001	62
	OTDC800US22	1SCA142339R1001	62
	OTDC1000US22	1SCA143714R1001	62
	OTDC800US22K	1SCA143722R1001	62
	OTDC1000US22K	1SCA143715R1001	62
	OTDC100EV22	1SCA149073R1001	38
	OTDC160EV22	1SCA149080R1001	38
OTDC200EV22	1SCA149081R1001	38	
OTDC315EV12	1SCA132258R1001	42	
OTDC400EV12	1SCA132256R1001	42	
OTDC500EV12	1SCA132257R1001	42	
Single circuit, 1500 VDC, UL98B	OTDC100USV22	1SCA149095R1001	48
	OTDC100UV22	1SCA149076R1001	48
	OTDC200USV22	1SCA149097R1001	48
	OTDC200UV22	1SCA149077R1001	48
	OTDC250UV12	1SCA142255R1001	53
	OTDC400USV12	1SCA140834R1001	53

Description	Type	Order number	Page	Description	Type	Order number	Page
Switch-disconnectors OTDC_, door mounting, IEC	OTDC16FT2	1SCA123839R1001	28	Terminal shrouds	OTS250G1L	1SCA022715R5340	74
	OTDC25FT2	1SCA123842R1001	28		OTDCS400G1S	1SCA132361R1001	74
	OTDC32FT2	1SCA123845R1001	28		OTDCS400G1L	1SCA132362R1001	74
	OTDC16FT3	1SCA123840R1001	28		OTS1600G1S	1SCA102667R1001	74
	OTDC25FT3	1SCA123843R1001	28		OTS1600G1L	1SCA106134R1001	74
	OTDC32FT3	1SCA123846R1001	28		OTS250T1L	1SCA022726R0640	74
	OTDC16FT4	1SCA123841R1001	28		OTDCS400T1S	1SCA132363R1001	74
	OTDC25FT4	1SCA123844R1001	28		OTDCS400T1L	1SCA132364R1001	74
Switch-disconnectors OTDC_, base or DIN-rail mounting, IEC	OTDC32FT4	1SCA123847R1001	28	Triple circuit and load side combining, up to 1000 VDC, IEC	OTDC315E33	1SCA137230R1001	41
	OTDC16F2	1SCA121454R1001	27		OTDC400E33	1SCA137231R1001	41
	OTDC16U2	1SCA134369R1001	29		OTDC500E33	1SCA137234R1001	41
	OTDC25U2	1SCA134375R1001	29	Triple circuit, 1000 VDC, IEC	OTDC100E33	1SCA149066R1001	37
	OTDC32U2	1SCA141976R1001	29		OTDC160E33	1SCA149065R1001	37
	OTDC16US2	1SCA134372R1001	29		OTDC200E33	1SCA149067R1001	37
	OTDC25US2	1SCA134378R1001	29	Triple circuit, 1000 VDC, UL98B	OTDC100US33	1SCA149086R1001	53
	OTDC16U4	1SCA134370R1001	29		OTDC200US33	1SCA149087R1001	53
	OTDC25U4	1SCA134377R1001	29		OTDC100U33	1SCA149069R1001	53
	OTDC32U4	1SCA136703R1001	29		OTDC200U33	1SCA149090R1001	53
	OTDC16US4	1SCA134373R1001	29				
	OTDC25US4	1SCA134379R1001	29				
	OTDC32US4	1SCA136704R1001	29				
	OTDC16U6	1SCA134371R1001	30				
	OTDC16US6	1SCA134374R1001	30				
	OTDC25U6	1SCA141960R1001	30				
Switch-disconnectors OTDC_, base or DIN-rail mounting, UL	OTDC16U2	1SCA134369R1001	48				
	OTDC25U2	1SCA134375R1001	48				
	OTDC32U2	1SCA141976R1001	48				
	OTDC16US2	1SCA134372R1001	48				
	OTDC25US2	1SCA134378R1001	48				
	OTDC16U4	1SCA134370R1001	48				
	OTDC25U4	1SCA134377R1001	48				
	OTDC32U4	1SCA136703R1001	48				
	OTDC16US4	1SCA134373R1001	48				
	OTDC25US4	1SCA134379R1001	48				
	OTDC32US4	1SCA136704R1001	48				
	OTDC16U6	1SCA134371R1001	49				
	OTDC16US6	1SCA134374R1001	49				
	OTDC25U6	1SCA141960R1001	49				
OTDC32U6	1SCA141963R1001	49					
Shrouds for jumpers connection bars	OTDCS400G2B	1SCA136273R1001	75				
	OTDCS250G4B	1SCA136274R1001	75				
	OEZXY97	1SCA130816R1001	75				
	OTDCS400T2L	1SCA136275R1001	75				
	OTDCS400T11L	1SCA136279R1001	75				
	OTDCS400T3L	1SCA136276R1001	75				
	OTDCS1250T2	1SCA144021R1001	75				
OTDCS1250T3	1SCA143477R1001	75					

**Additional information**

We reserve the right to make technical changes or modify the contents of this document without prior notice. With regard to purchase orders, the agreed particulars shall prevail. ABB does not accept any responsibility whatsoever for potential errors or possible lack of information in this document.

We reserve all rights in this document and in the subject matter and illustrations contained therein. Any reproduction, disclosure to third parties or utilization of its contents – in whole or in parts – is forbidden without prior written consent of ABB.



—  
**ABB Oy**  
**Protection and Connection**  
P.O. Box 622  
FI-65101 Vaasa  
Finland

**[www.abb.com](http://www.abb.com)**

Find the address of your local sales organization on the ABB homepage:

**[www.abb.com/contacts](http://www.abb.com/contacts)**  
**> Low Voltage Products and Systems**

