

**Need assistance?**

 Call us: 1-855-32-AAVID  
 Email: [estore@aavid.com](mailto:estore@aavid.com)
[» Help Page](#)
**Check Stock**

 Enter a part number for pricing and availability.
  
[Request a Sample](#)
[Request a Quote](#)
[Ask an Engineer](#)

## Mounting Kits

### Mounting Kits

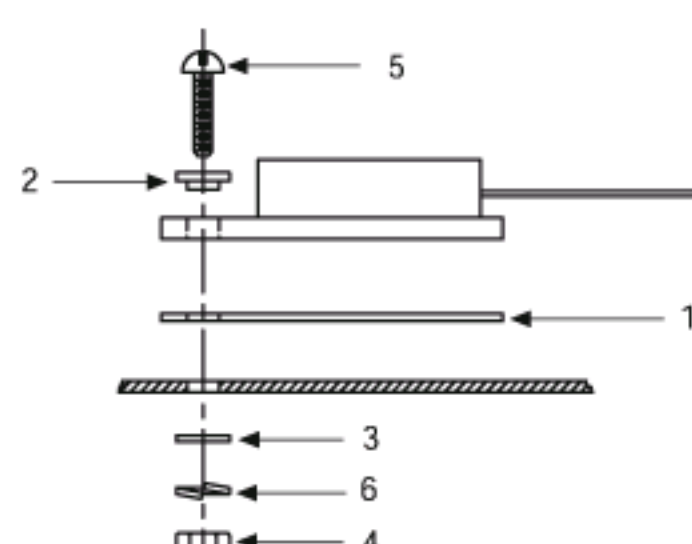
- ☐ Pre-packaged in heat-sealed plastic bags for use on assembly line.
- ☐ Stock mounting hardware using one number for better control and identification. Part number can be printed on the bag if requested.
- ☐ Standard kit contains Thermalfilm insulator. For high maximum operating temperatures (550°C), order a mica insulator by adding suffix letter "M" to the part number. For electrical isolation and excellent thermal resistance, use In-Sil-8 for an insulator by adding suffix letter "S" to the part number.
- ☐ Other insulator materials available include: hard anodized aluminum and aluminum oxide.
- ☐ Refer to proper product section for drawings of insulators and shoulder washers used in the mounting kits.

### TO-220 Mounting Kit

Part Number	Properties	RoHS	PCN
4880G	Thermalfilm		
4880MG	Mica Insulator		
4880SG	Thermalsil III		

Item	Qty	Description	Part Number
1	1	Insulator Thermalfilm Mica Thermalsil III	43-77-9 (56-77-9) (53-77-9)
2	1	Shoulder Washer	7721-7PPS
3	1	Flat Washer #4	MS15795-804
4	1	No. 4-40 UNC-2B Hex Nut	MS35649-244
5	1	No. 4-40 UNC-2A X 1/2 Long Phillips Pan Head Screw	MS51957-17
6	1	Lockwasher, No.4	MS35338-135

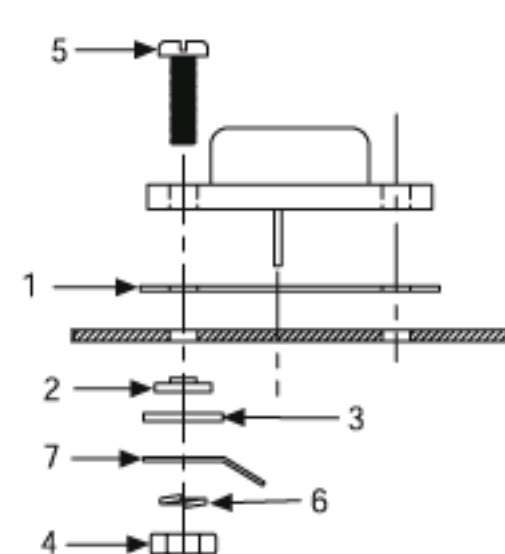
Note: Smooth side of flat washer should be placed against insulator when using the kit.



### TO-3 Mounting Kit No.4804G

Part Number	Properties	RoHS	PCN
4804G	Thermalfilm		
4804MG	Mica Insulator		
4804SG	Thermalsil III		

Item	Qty	Description	Part Number
1	1	Insulator Thermalfilm Mica Thermalsil III	43-03-2 (56-03-2) (53-03-2)
2	2	Shoulder Washer	7721-5PPS
3	2	Flat Washer #6	MS15795-805
4	2	No. 6-32 UNC-2B Hex Nut	MS35649-264
5	2	No. 6-32 UNC-2A X 1/2 Long Phillips Pan Head Screw	MS51957-30
6	2	Lockwasher, No.4	MS35338-136
7	1	Solder Lug	322-156



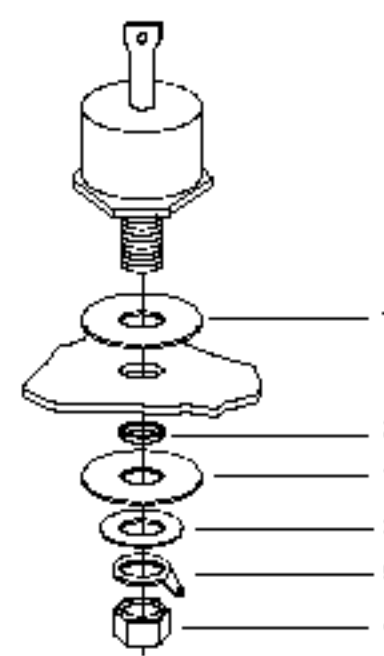
### DO-4 Mounting Kit No.4860

Item	Qty	No. 4860 (Thermalfilm) No. 4860M (Mica Insulator) No. 4860S (Thermalsil III) Description	Part Number
1	2	Insulator Thermalfilm Mica Thermalsil III	43-02-10 (56-02-10) (56-02-10)
2	1	PTFE Bushing	110
3	1	Flat Washer #10	AN960-C10L
4	1	No. 10-32 UNF-2B Hex Nut	MS35650-304
5	1	Terminal, Locking	MS77066-4

### DO-5 Mounting Kit No.4870

RoHS Compliant

Item	Qty	No. 4870 (Thermalfilm) No. 4870M (Mica Insulator) Description	Part Number
1	2	Insulator: Thermalfilm Mica Thermalsil III	43-02-25 (56-02-93) (53-02-25)
2	1	PTFE Bushing	113
3	1	Flat Washer #1/4	AN960-C416L
4	1	No. 1/4-32 UNF-2B Hex Nut	MS51972-1
5	1	Terminal, Locking	MS77069-3



### TO-66 Mounting Kit No.4813

Item	Qty	No. 4813 (Thermalfilm)	Part Number
1	1	Insulator: Thermalfilm	43-66-2
2	2	Shoulder Washer	7721-6PPS
3	2	Flat Washer #6	MS15795-803
4	2	No.4-40 UNC-2B Hex Nut	MS35649-244
5	2	No. 4-40 UNC-2A X 1/2 Long PPH Screw	MS1957-17
6	2	Lockwasher, No.6	MS35338-135
7	1	Solder Lug	322-144