

**Search By Part Number**

Do you already know the part number you're looking for? Check here for pricing, availability and technical data.

[Order Our New Heat Pipe Kit](#)

[Where Do I Start?](#)

**Need assistance?**

Call us: 1-855-32-AAVID  
Email: [estore@aavid.com](mailto:estore@aavid.com)

[» Help Page](#)

**Check Distributor Stock**

Enter a part number for pricing and availability.

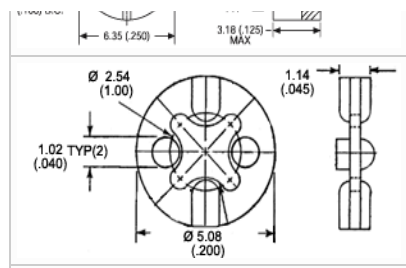
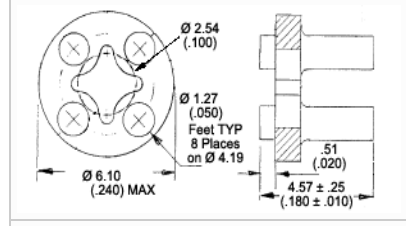
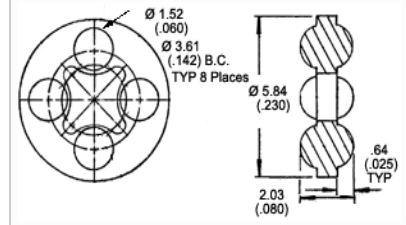
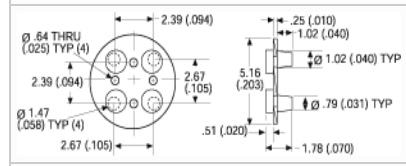
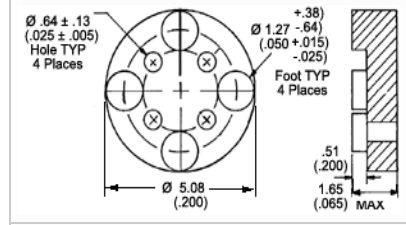
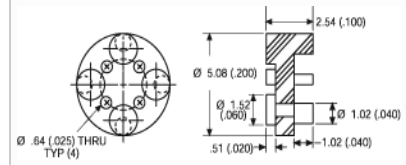

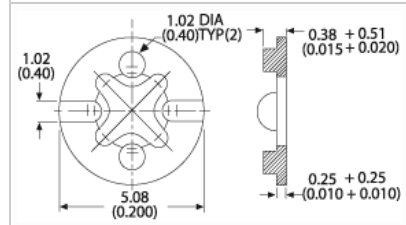
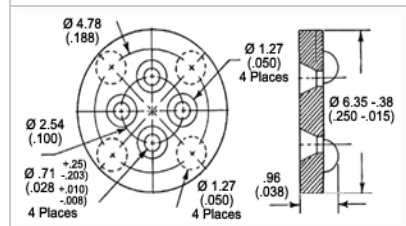
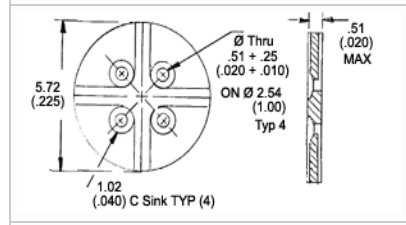
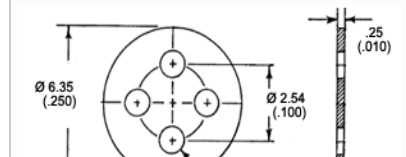
# Standard Mounting Pads

- Prevent heat damage during soldering
- Facilitate board clean-up
- Prevent solder bridges
- Assure uniform device height

**Make a Selection**

TO-18

	Part	Stock
	<p><b>7717-89DAPG</b> Material: Diallyl Phthalate Leads: 4 Diameter: 6.35 Thickness: 2.03</p>	<p>36,550 <input type="button" value="Buy Now"/></p>
	<p><b>7717-16NG</b> Material: Nylon Leads: 4 Diameter: 5.08 Thickness: 0.51</p>	<p>27,410 <input type="button" value="Buy Now"/></p>
	<p><b>7717-89NG</b> Material: Nylon Leads: 4 Diameter: 6.35 Thickness: 2.03</p>	<p>24,635 <input type="button" value="Buy Now"/></p>
	<p><b>7717-18NG</b> Material: Nylon Leads: 4 Diameter: 5.08 Thickness: 2.54</p>	<p>16,636 <input type="button" value="Buy Now"/></p>
	<p><b>7717-16DAPG</b> Material: Diallyl Phthalate Leads: 4 Diameter: 5.08 Thickness: 0.51</p>	<p>13,615 <input type="button" value="Buy Now"/></p>
	<p><b>7717-152NG</b> Material: Nylon Leads: 4-Mar Diameter: 5.08 Thickness: 1.14</p>	<p>10,875 Email <a href="mailto:estore@aavid.com">estore@aavid.com</a> for pricing &amp; availability</p>
	<p><b>7717-46NG</b> Material: Nylon Leads: 4 Diameter: 5.08 Thickness: 1.52</p>	<p>10,528 Email <a href="mailto:estore@aavid.com">estore@aavid.com</a> for pricing &amp; availability</p>
	<p><b>7717-7DAPG</b> Material: Diallyl Phthalate Leads: 4 Diameter: 6.35</p>	<p>9,300 <input type="button" value="Buy Now"/></p>

	<p><b>Thickness:</b> 3.18</p>	
	<p><b>7717-239NG</b>  <b>Material:</b> Nylon  <b>Leads:</b> 4-Mar  <b>Diameter:</b> 6.10  <b>Thickness:</b> 457.00</p>	<p>7,115                  Email <a href="mailto:estore@aavid.com">estore@aavid.com</a> for pricing &amp; availability</p>
	<p><b>7717-220NG</b>  <b>Material:</b> Nylon  <b>Leads:</b> 4-Mar  <b>Diameter:</b> 5.84  <b>Thickness:</b> 2.03</p>	<p>6,670                  Email <a href="mailto:estore@aavid.com">estore@aavid.com</a> for pricing &amp; availability</p>
	<p><b>7717-108DAPG</b>  <b>Material:</b> Diallyl Phthalate  <b>Leads:</b> 4  <b>Diameter:</b> 5.26  <b>Thickness:</b> 1.78</p>	<p>6,360                  Email <a href="mailto:estore@aavid.com">estore@aavid.com</a> for pricing &amp; availability</p>
	<p><b>7717-46DAPG</b>  <b>Material:</b> Diallyl Phthalate  <b>Leads:</b> 4  <b>Diameter:</b> 5.08  <b>Thickness:</b> 1.52</p>	<p>3,620                  Email <a href="mailto:estore@aavid.com">estore@aavid.com</a> for pricing &amp; availability</p>
	<p><b>7717-18DAPG</b>  <b>Material:</b> Diallyl Phthalate  <b>Leads:</b> 4  <b>Diameter:</b> 5.08  <b>Thickness:</b> 2.54</p>	<p>2,844  </p>
	<p><b>7717-112DAPG</b>  <b>Material:</b> Diallyl Phthalate  <b>Leads:</b> 4-Mar  <b>Diameter:</b> 5.08  <b>Thickness:</b> 0.64</p>	<p>1,309                  Email <a href="mailto:estore@aavid.com">estore@aavid.com</a> for pricing &amp; availability</p>
	<p><b>7717-153NG</b>  <b>Material:</b> Nylon  <b>Leads:</b> 4  <b>Diameter:</b> 6.35  <b>Thickness:</b> 0.97</p>	<p>514                  Email <a href="mailto:estore@aavid.com">estore@aavid.com</a> for pricing &amp; availability</p>
	<p><b>7717-124NG</b>  <b>Material:</b> Nylon  <b>Leads:</b> 4  <b>Diameter:</b> 5.72  <b>Thickness:</b> 0.51</p>	<p>505                  Email <a href="mailto:estore@aavid.com">estore@aavid.com</a> for pricing &amp; availability</p>
	<p><b>7717-157TG</b>  <b>Material:</b> Teflon  <b>Leads:</b> 4  <b>Diameter:</b> 6.35  <b>Thickness:</b> 0.25</p>	<p>400                  Email <a href="mailto:estore@aavid.com">estore@aavid.com</a> for pricing &amp; availability</p>

	<p><b>7717-153DAPG</b>  <b>Material:</b> Diallyl Phthalate  <b>Leads:</b> 4  <b>Diameter:</b> 6.35  <b>Thickness:</b> 0.97</p>	<p>Email <a href="mailto:estore@aavid.com">estore@aavid.com</a> for availability</p>
	<p><b>7717-7NG</b>  <b>Material:</b> Nylon  <b>Leads:</b> 4  <b>Diameter:</b> 6.35  <b>Thickness:</b> 3.18</p>	<p>Email <a href="mailto:estore@aavid.com">estore@aavid.com</a> for availability</p>
	<p><b>7717-108NG</b>  <b>Material:</b> Nylon  <b>Leads:</b> 4  <b>Diameter:</b> 5.26  <b>Thickness:</b> 1.78</p>	<p>Email <a href="mailto:estore@aavid.com">estore@aavid.com</a> for availability</p>
	<p><b>7717-157MG</b>  <b>Material:</b> Mylar  <b>Leads:</b> 4  <b>Diameter:</b> 6.35  <b>Thickness:</b> 0.25</p>	<p>Email <a href="mailto:estore@aavid.com">estore@aavid.com</a> for pricing &amp; availability</p>

<h3>Customer Assistance</h3> <ul style="list-style-type: none"> <li>Contact Us</li> <li>Get Design Assistance</li> <li>Find a Distributor</li> <li>Find a Sales Rep</li> <li>Request a Quote</li> <li>Placing an Order</li> <li>Terms and Conditions</li> <li>Returns</li> </ul>	<h3>Popular Products</h3> <ul style="list-style-type: none"> <li>Fans</li> <li>Extrusions</li> <li>Board Level</li> <li>Liquid Cooling</li> <li>Heat Pipe Technology</li> <li>Heat Sink Accessories</li> <li>Interface Materials</li> </ul>	<h3>Our Company</h3> <ul style="list-style-type: none"> <li>News and Events</li> <li>Management Team</li> <li>Worldwide Locations</li> <li>Directions to Headquarters</li> <li>Disclaimer</li> <li>Customer Survey</li> <li>Privacy Policy</li> </ul>	<h3>Connect with Aavid</h3> <p>Sign up for Aavid News &amp; Alerts</p> <p>Email Address <input type="text"/> <a href="#">GO!</a></p> <p>Like / Follow / Connect</p> <p> </p> <p>© Copyright 2014 Aavid Thermalloy, LL</p>
--	---	---	---

USA: 1.855.32.AAVID Europe: 39.051.764002 Asia: 86.21.6115.2000 x 8122