



Quick Reference

Search by part #

Check distributor part inventory

Products

Browse Heat sinks

- By Device -

- By Product Line -

- Attachment Methods -

- Interface Materials -

- Accessories -

Useful Links

- [Building a part #](#)
- [Catalog Request](#)
- [Directions](#)
- [Find Distributor](#)
- [Find Sales Rep](#)
- [How to order?](#)
- [MSDS Safety Sheets](#)
- [Part # Cross Ref](#)
- [Quote Request](#)
- [RoHS Initiative](#)
- [Sample Request](#)

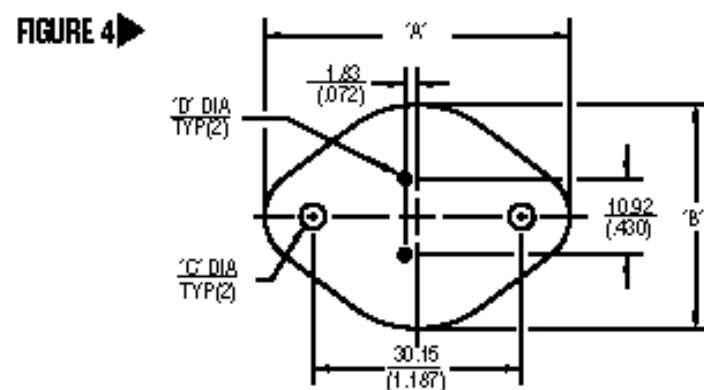
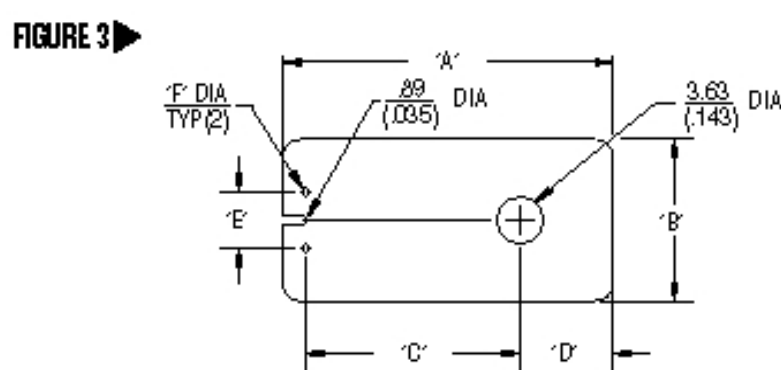
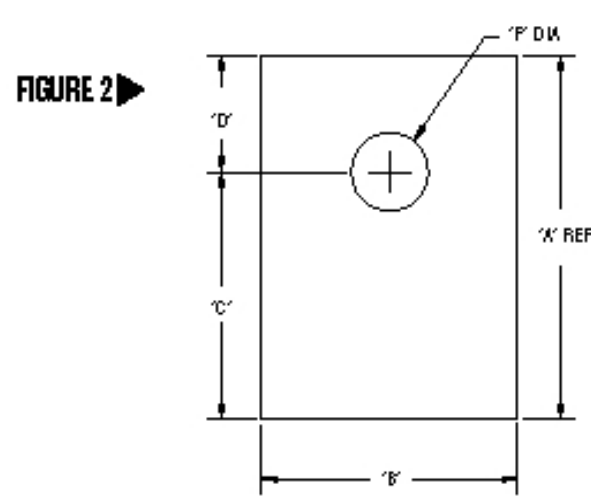
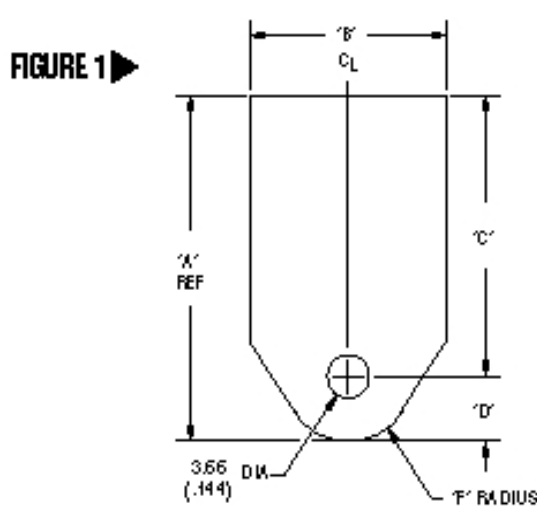
## Mica

Mica insulators provide high maximum operating temperatures (550°C) and excellent electrical properties.

Part No.	RoHS	PCN	Figure	Case Style	A	B	C	D	E	F	Thickness
56-02-95	RoHS  Compliant	N/A	1	TO-218	23.24 (.915)	18.80 (.740)	16.26 (.640)	6.98 (.275)	N/A	5.59 (.220)	.05/.10 (.002/.004)
56-02-101*	RoHS  Compliant	N/A	2	TO-218	26.16 (1.000)	22.61 (.890)	17.91 (.705)	8.26 (.325)	N/A	11.30 (.444)	.05/.10 (.002/.004)
56-77-10	RoHS  Compliant	N/A	3	TO-220	21.89 (.862)	13.21 (.520)	14.73 (.580)	5.26 (.270)	5.08 (.200)	1.75 (.070)	.05/.10 (.002/.004)
56-77-8G	RoHS  Compliant		2	TO-220	18.93 (.745)	13.84 (.545)	13.54 (.533)	5.38 (.212)	N/A	3.81 (.150)	.05/.10 (.002/.004)
56-77-11G	RoHS  Compliant		2	TO-220	18.93 (.745)	13.84 (.545)	13.54 (.533)	5.38 (.212)	N/A	3.05 (.120)	.05/.10 (.002/.004)
56-03-2G	RoHS  Compliant		4	TO-3	42.04 (1.655)	27.00 (1.063)	3.96 (.156)	1.57 (.062)	N/A	N/A	.05/.10 (.002/.004)
56-03-8G	RoHS  Compliant		4	TO-3	42.85 (1.687)	30.15 (1.187)	3.96 (.156)	1.57 (.062)	N/A	N/A	.05/.10 (.002/.004)

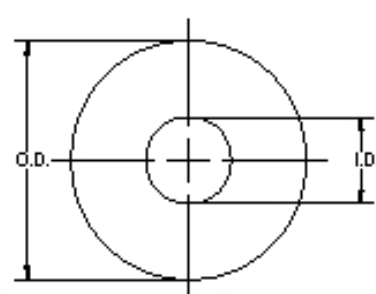
\* This insulator is also for TO -18, TO -247, and TO3P.

Note: Tolerances are ± .38mm (.015") unless otherwise specified.



Note: Tolerances are ± .38mm (.015") unless otherwise specified.

Property	Typical Value 25°C
<b>Electrical</b>	
<b>Dielectric Strength</b> .025mm to .076mm thick in air (1 to 3 mils thick in air)	172 x 10 <sup>3</sup> volts/mm (4500 volts/mil)
<b>Dielectric Constant</b>	6.5 to 8.7
<b>Dissipation Factor</b> 10 <sup>6</sup> Cycles	.0001 - .004
<b>Volume Resistivity</b>	10 <sup>15</sup> ohm - cm
<b>Physical</b>	
<b>Modulus of Elasticity in Tension</b>	172 x 10 <sup>3</sup> (25 x 10 <sup>6</sup> psi)
<b>Tensile Strength</b>	310 MPa (45,000 psi)
<b>Hardness Mohs</b>	3.0
<b>Shore</b>	115
<b>Comprehensive Strength</b>	2.21 x 10 <sup>8</sup> Pa (32,000 psi)
<b>Specific Gravity</b>	2.9
<b>Thermal</b>	
<b>Thermal Conductivity:</b>	0.528 Wm <sup>-1</sup> °C <sup>-1</sup> (.30 Btu/hr.ft °F)
<b>Coefficient of Thermal Expansion</b>	3.24 x 10 <sup>-5</sup> /°C (1.8x 10 <sup>-5</sup> /°F)
<b>Specific Heat</b>	.084 KJ/Kg°C (.02 Btu/Lb °F)
<b>Melting Point</b>	1275°C
<b>Maximum Operating Temperature (1022°C)</b>	550°C
<b>Chemical Composition</b>	
<b>Silica</b>	45.4%
<b>Alumina</b>	37.5%
<b>Potash</b>	12.0%
<b>Water</b>	5.0%



Part Number	ID	OD	Diameter Tolerances	Thickness
56-02-10	5.16 (.203)	14.30 (.563)	± 13 (.005)	.05/.10 (.002/.004)
56-02-72	6.55 (.258)	25.40 (1.00)	± 38 (.015)	.10/.15 (.004/.006)