

Printview: 2-conductor terminal strip; with fixing flanges; for screw or similar mounting types; fixing hole 3.2 mm Ø; with 209-123 mounting carrier for DIN 35 rail; 3-pole - Item No.: 262-103

WAGO® online catalog / eShop

2-conductor terminal strip; with fixing flanges; for screw or similar mounting types; fixing hole 3.2 mm Ø; with 209-123 mounting carrier for DIN 35 rail; 3-pole

Item No.: 262-103



2-conductor terminal strip; with fixing flanges; for screw or similar mounting types; fixing hole 3.2 mm Ø; with 209-123 mounting carrier for DIN 35 rail; 3-pole

Marking

RoHS ✓
Compliant

Business data

Supplier	WAGO
Item no.	262-103
GTIN / EAN	4044918640169
Content	1
Order amount	100
Customer item number	

Notes

Technical data

Miscellaneous

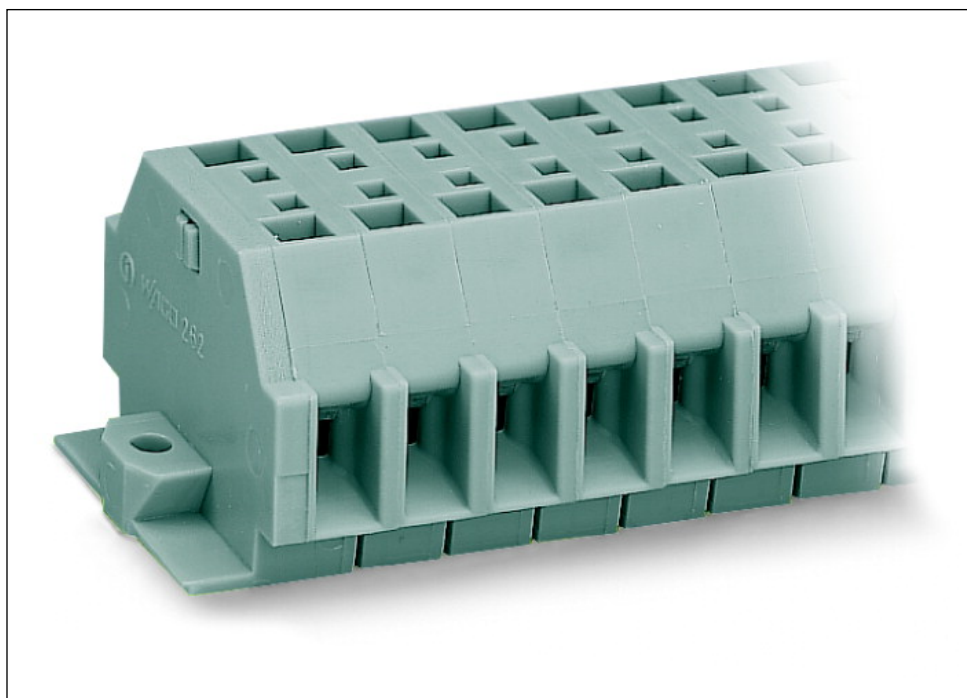
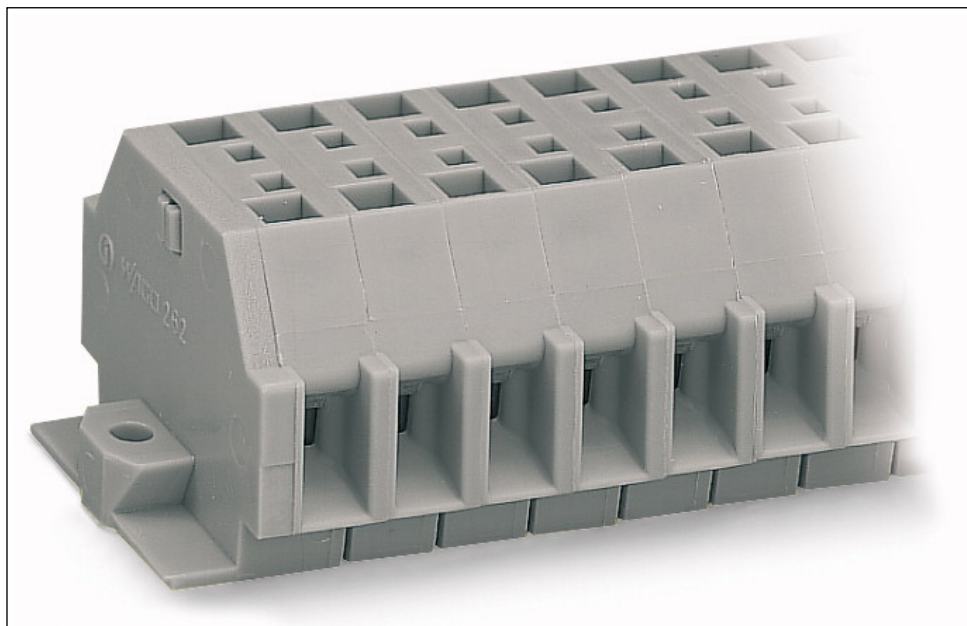
No. of poles	3
Total number of connection points	6
Total number of potentials	3
Color	gray
Pollution degree (1)	3
Rated voltage EN (1) [V]	630 [V]
Rated surge voltage (1) [kV]	8 [kV]
Nominal current [A]	24 [A]

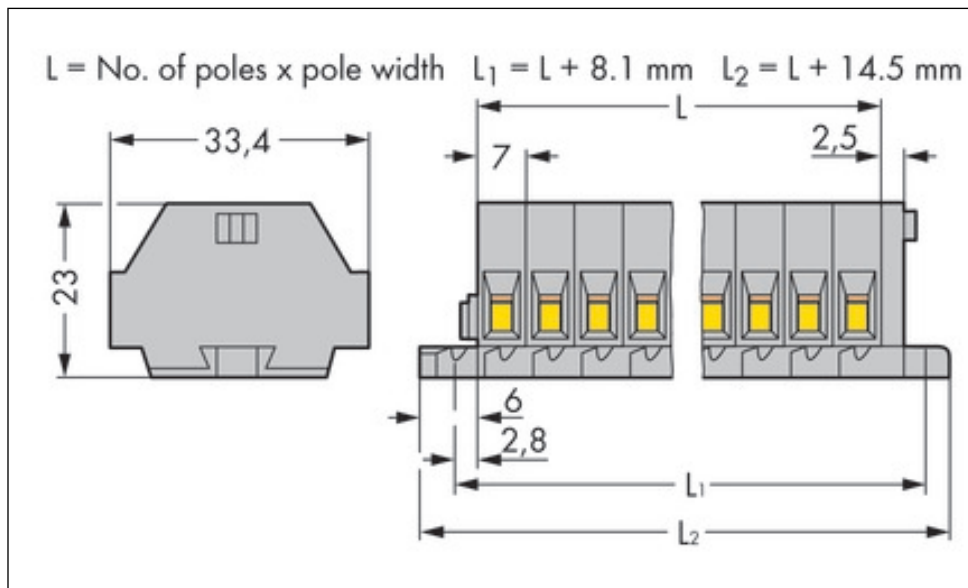
Printview: 2-conductor terminal strip; with fixing flanges; for screw or similar mounting types; fixing hole 3.2 mm Ø; with 209-123 mounting carrier for DIN 35 rail; 3-pole - Item No.: 262-103

Technical data	
<i>Connection technology (1)</i>	<i>CAGE CLAMP®</i>
<i>Solid sizes 1</i>	<i>0.08 ... 4 mm² / 28 ... 12 AWG</i>
<i>Fine-stranded wires 1</i>	<i>0.08 ... 4 mm² / 28 ... 12 AWG</i>
<i>Strip length 1</i>	<i>9 ... 10 mm / 0.35 ... 0.39 in</i>
<i>Type of wiring</i>	<i>Side-entry wiring</i>
<i>Design</i>	<i>horizontal</i>
<i>Marking level</i>	<i>Side marking</i>
<i>Fire load [MJ]</i>	<i>0.287 [MJ]</i>
<i>Weight [g]</i>	<i>14.742 [g]</i>
<i>Width</i>	<i>35.5 mm / 1.398 in</i>
<i>Height from the surface</i>	<i>23 mm / 0.906 in</i>
<i>Length</i>	<i>33.5 mm / 1.319 in</i>
<i>Module width [mm]</i>	<i>7 [mm]</i>
<i>Module width [inch] [inch]</i>	<i>0.276 [inch]</i>

Printview: 2-conductor terminal strip; with fixing flanges; for screw or similar mounting types; fixing hole 3.2 mm Ø; with 209-123 mounting carrier for DIN 35 rail; 3-pole - Item No.: 262-103

Images & drawings





Address

WAGO Kontakttechnik GmbH & Co. KG

Hansastr. 27

32423 Minden

Telefon: 0571/887-0

Fax: 0571/887-169

<http://www.wago.com>

© WAGO Kontakttechnik GmbH & Co. KG

Technische Änderungen und Irrtümer vorbehalten.