

Ferrule - AI 25 -22 BK

3200739

<https://www.phoenixcontact.com/pc/products/3200739>

Please be informed that the data shown in this PDF document is generated from our Online Catalog. Please find the complete data in the user documentation. Our General Terms of Use for Downloads are valid.

Ferrule, sleeve length: 22 mm, length: 36 mm, color: black



Your advantages

- The color code of the plastic insulating collar is based on the French standard NF C 63-023: 1994-02
- In terms of dimensions, these ferrules conform to DIN 46228-4: 1990-09
- The metal sleeves are made from soft tin-plated electrolytic copper

Commercial Data

Item number	3200739
Packing unit	50 pc
Minimum order quantity	50 pc
Sales Key	05
Product Key	BH3411
Catalog Page	Page 482 (C-3-2019)
GTIN	4017918094324
Weight per Piece (including packing)	1.463 g
Weight per Piece (excluding packing)	1.46 g
Customs tariff number	85369010
Country of origin	DE

Technical Data

Product properties

Product type	Ferrule
Conductor category	stranded conductors, class 2, 5, 6 / B, C, K, M

Connection data

Conductor connection

Conductor cross section flexible max.	25 mm ²
Conductor cross section AWG max.	4
Stripping length	26 mm

Dimensions

Dimensional drawing	
Length	36 mm
Sleeve length	22 mm
Maximum stripping length	26 mm
Ferrule diameter	7.3 mm
Sleeve wall thickness	0.2 mm
Insulating collar thickness	0.5 mm
Inner dimensions of the insulating collar	11 mm

Material specifications

Color	black
Material	CU-DHP
Flammability rating according to UL 94	HB
Coating	tin-plated (galvanic)
Components	free from silicone and halogen

Mechanical properties

Technical data

Sleeve length	22 mm
---------------	-------

Environmental and real-life conditions

Ambient conditions

Permanent temperature	105 °C (-40 °C no load / 0 °C dynamic load)
Short-term temperature	120 °C

Standards and regulations

Design according to standard	NFC 63-023
------------------------------	------------

Ferrule - AI 25 -22 BK

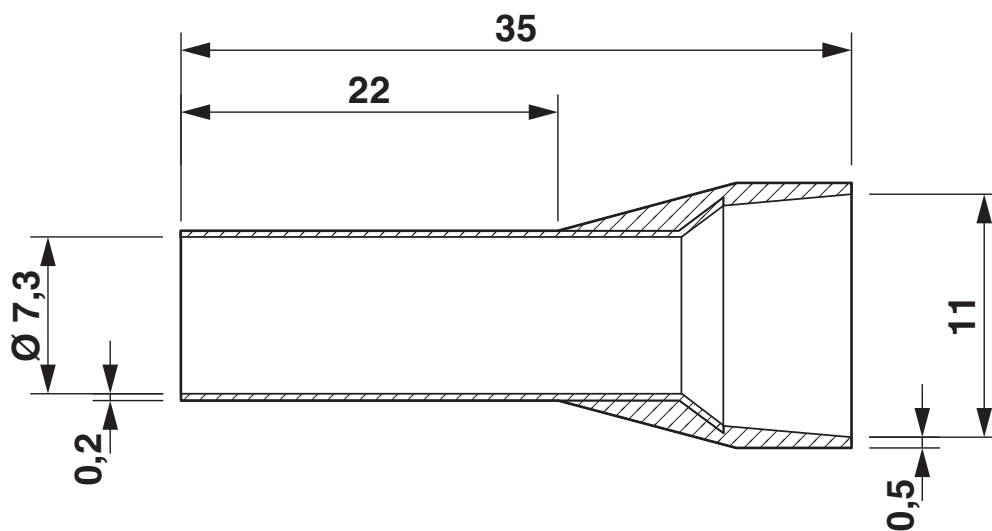
3200739

<https://www.phoenixcontact.com/pc/products/3200739>



Drawings

Dimensional drawing



Ferrule - AI 25 -22 BK



3200739

<https://www.phoenixcontact.com/pc/products/3200739>

Classifications

ECLASS

ECLASS-9.0	27400201
ECLASS-10.0.1	27400201
ECLASS-11.0	27400201

ETIM

ETIM 8.0	EC000005
----------	----------

UNSPSC

UNSPSC 21.0	27121700
-------------	----------

Ferrule - AI 25 -22 BK

3200739

<https://www.phoenixcontact.com/pc/products/3200739>



Environmental Product Compliance

China RoHS	Environmentally friendly use period: unlimited = EFUP-e No hazardous substances above threshold values
------------	---

Phoenix Contact 2023 © - all rights reserved
<https://www.phoenixcontact.com>

PHOENIX CONTACT GmbH & Co. KG
Flachmarktstraße 8
D-32825 Blomberg
+49 (0) 5235-3 00
info@phoenixcontact.com