

Plug - QP 1,5/ 1-M BU

3051056

<https://www.phoenixcontact.com/de/produkte/3051056>



Please be informed that the data shown in this PDF document is generated from our Online Catalog. Please find the complete data in the user documentation. Our General Terms of Use for Downloads are valid.



Plug, nom. voltage: 500 V, nominal current: 17.5 A, number of positions: 1, connection method: Quick connection, 1 level, Rated cross section: 1.5 mm², cross section: 0.25 mm²- 1.5 mm², color: blue

Product Description

Connector element center, left housing with engagement pin, right opened without cover

Your advantages

- The QT-COMBI plugs for self-assembly provide solutions that users can implement themselves
- The conductor is connected using the familiar IDC connection with no stripping, therefore saving time
- Tested for railway applications
- The QP 1,5/... fast connector plug is designed for the connection of solid and stranded conductors

Commercial Data

Item number	3051056
Packing unit	50 pc
Minimum order quantity	1 pc
Sales Key	A1 - Reihenklemmen
Product Key	BE3144
Catalog Page	Page 289 (C-1-2019)
GTIN	4046356082907
Weight per Piece (including packing)	4,179 g
Weight per Piece (excluding packing)	4,108 g
Customs tariff number	85366990
Country of origin	TR

Plug - QP 1,5/ 1-M BU



3051056

<https://www.phoenixcontact.com/de/produkte/3051056>

Technical Data

Product properties

Product type	Terminal plug
Number of positions	1
Pitch	5.2 mm

Insulation characteristics

Overvoltage category	III
Degree of pollution	3

Electrical properties

Rated surge voltage	6 kV
---------------------	------

Connection data

Nominal cross section	1.5 mm ²
-----------------------	---------------------

1 level

Material wire insulation	PVC / PE
Connection in acc. with standard	IEC 61984
Conductor cross section solid	0.25 mm ² ... 1.5 mm ²
Cross section AWG	24 ... 16 (converted acc. to IEC)
Conductor cross section flexible	0.25 mm ² ... 1.5 mm ²
Conductor cross section, flexible [AWG]	24 ... 16 (converted acc. to IEC)
Cross section, sensor conductors	0.25 mm ² ... 0.34 mm ²
Nominal current	17.5 A
Maximum load current	17.5 A (with 1.5 mm ² conductor cross section)
Nominal voltage	500 V
Nominal cross section	1.5 mm ²

Dimensions

Width	5.2 mm
Height	40 mm
Length	20 mm
Pitch	5.2 mm

Material specifications

Color	blue
Flammability rating according to UL 94	V0
Insulating material group	I
Insulating material	PA
Static insulating material application in cold	-60 °C
Relative insulation material temperature index (Elec., UL 746 B)	125 °C
Fire protection for rail vehicles (DIN EN 45545-2) R22	HL 1 - HL 3
Fire protection for rail vehicles (DIN EN 45545-2) R23	HL 1 - HL 3

Plug - QP 1,5/ 1-M BU



3051056

<https://www.phoenixcontact.com/de/produkte/3051056>

Fire protection for rail vehicles (DIN EN 45545-2) R24	HL 1 - HL 3
Fire protection for rail vehicles (DIN EN 45545-2) R26	HL 1 - HL 3
Calorimetric heat release NFPA 130 (ASTM E 1354)	28 MJ/kg
Surface flammability NFPA 130 (ASTM E 162)	passed
Specific optical density of smoke NFPA 130 (ASTM E 662)	passed
Smoke gas toxicity NFPA 130 (SMP 800C)	passed

Environmental and real-life conditions

Ambient conditions

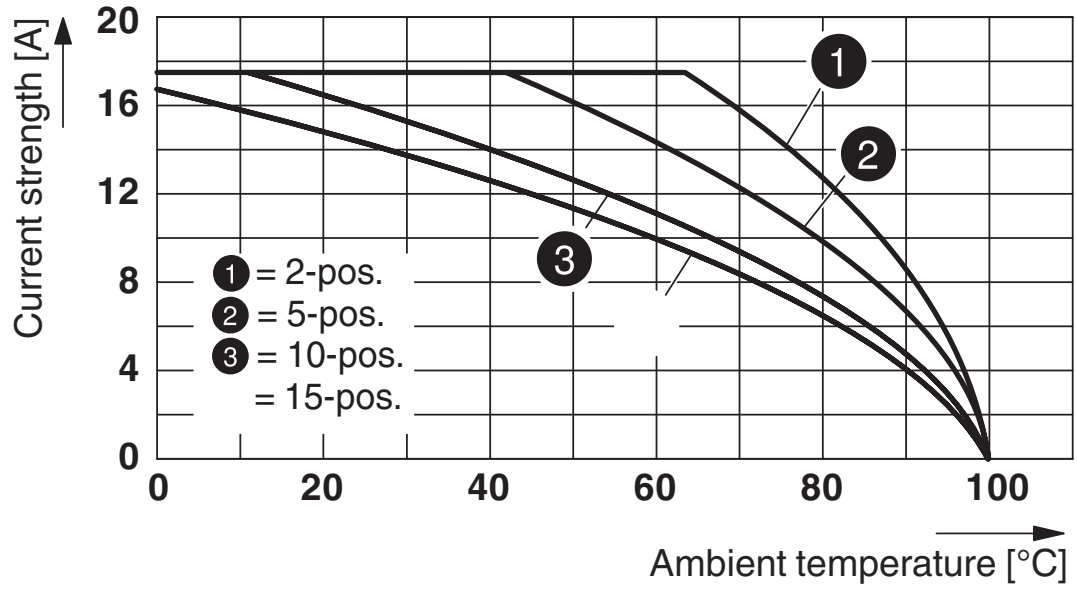
Ambient temperature (operation)	-60 °C ... 105 °C (max. short-term operating temperature RTI Elec.)
Ambient temperature (storage/transport)	-25 °C ... 60 °C (for a short time, not exceeding 24 h, -60 °C to +70 °C)
Ambient temperature (assembly)	-5 °C ... 70 °C
Ambient temperature (actuation)	-5 °C ... 70 °C
Permissible humidity (storage/transport)	30 % ... 70 %

Standards and regulations

Connection in acc. with standard	IEC 61984
----------------------------------	-----------

Drawings

Diagram



Circuit diagram

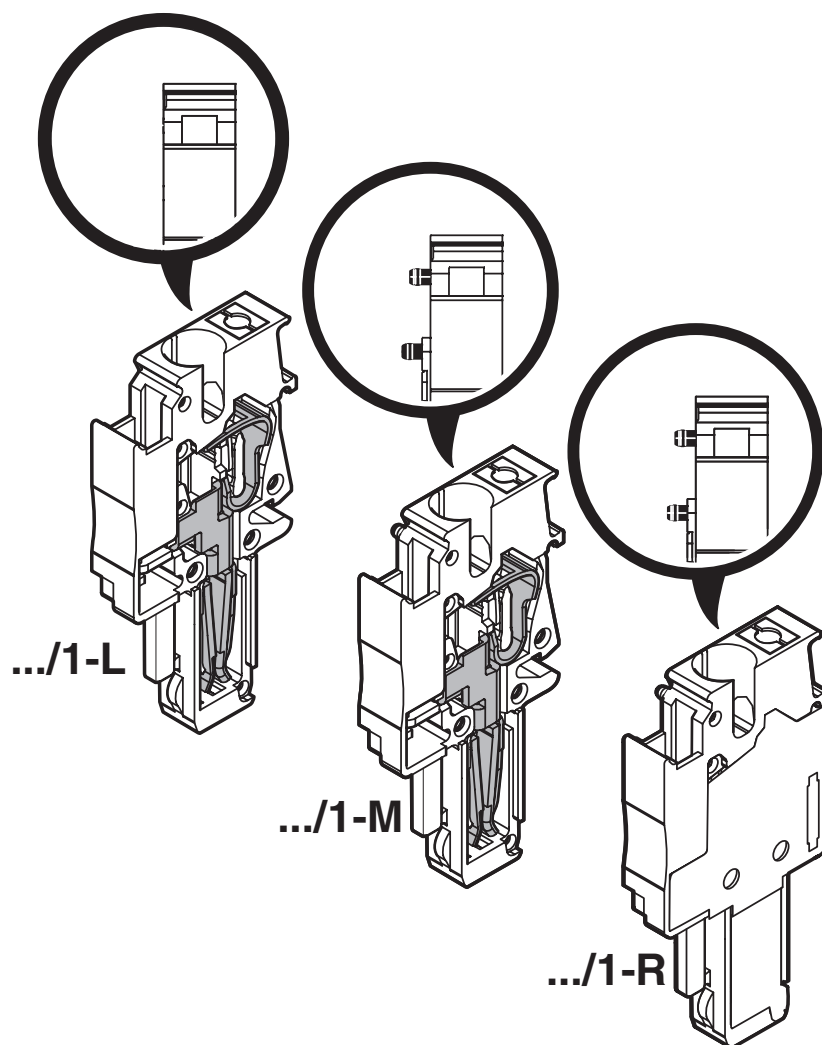


Plug - QP 1,5/ 1-M BU

3051056

<https://www.phoenixcontact.com/de/produkte/3051056>

Schematic diagram




Plug - QP 1,5/ 1-M BU





3051056


<https://www.phoenixcontact.com/de/produkte/3051056>

Approvals

 CSA Approval ID: 13631				
	Nominal Voltage U_N	Nominal Current I_N	Cross Section AWG	Cross Section mm^2
Use group B	300 V	10 A	24 - 16	-
Use group C	300 V	10 A	24 - 16	-
Use group D	600 V	5 A	24 - 16	-

 EAC Approval ID: RU C-DE.BL08.B.00511				
---	--	--	--	--

 DNV GL Approval ID: TAE00003J6				
--	--	--	--	--

 cULus Recognized Approval ID: E60425				
	Nominal Voltage U_N	Nominal Current I_N	Cross Section AWG	Cross Section mm^2
Use group B	300 V	10 A	24 - 16	-
Use group C	300 V	10 A	24 - 16	-
Use group D	600 V	5 A	24 - 16	-

Plug - QP 1,5/ 1-M BU

3051056

<https://www.phoenixcontact.com/de/produkte/3051056>



Classifications

ECLASS

ECLASS-9.0	27141151
ECLASS-10.0.1	27141151
ECLASS-11.0	27141151

ETIM

ETIM 8.0	EC002021
----------	----------

UNSPSC

UNSPSC 21.0	39121400
-------------	----------

Plug - QP 1,5/ 1-M BU

3051056

<https://www.phoenixcontact.com/de/produkte/3051056>



Environmental Product Compliance

China RoHS	Environmentally friendly use period: unlimited = EFUP-e No hazardous substances above threshold values
------------	---

Phoenix Contact 2023 © - all rights reserved
<https://www.phoenixcontact.com>

PHOENIX CONTACT Deutschland GmbH
Flachmarktstraße 8
D-32825 Blomberg
+49 52 35/3-1 20 00
info@phoenixcontact.de