

FMC 1,5/ 8-ST-3,5-RF - Printed-circuit board connector



1952089

<https://www.phoenixcontact.com/de/produkte/1952089>

Please be informed that the data shown in this PDF document is generated from our online catalog. Please find the complete data in the user documentation. Our general terms of use for downloads are valid.



PCB connector, nominal cross section: 1.5 mm², color: green, nominal current: 8 A, rated voltage (III/2): 160 V, contact surface: Tin, contact connection type: Socket, number of potentials: 8, number of rows: 1, number of positions: 8, number of connections: 8, product range: FMC 1,5/..-ST-RF, pitch: 3.5 mm, connection method: Push-in spring connection, conductor/PCB connection direction: 0 °, plug-in system: COMBICON MC 1,5, locking: Snap-in locking, mounting: Self-locking flange, type of packaging: packed in cardboard

Your advantages

- Time saving push-in connection, tools not required
- Defined contact force ensures that contact remains stable over the long term
- Intuitive use through colour coded actuation lever
- Operation and conductor connection from one direction enable integration into front of device
- Intuitive locking mechanism prevents accidental disconnection

Commercial data

Item number	1952089
Packing unit	50 pc
Minimum order quantity	50 pc
Sales key	E1 - Leiterplattenanschl.
Product key	AABFAC
Catalog page	Page 201 (C-1-2013)
GTIN	4017918942724
Weight per piece (including packing)	5,1 g
Weight per piece (excluding packing)	4,78 g
Customs tariff number	85366990
Country of origin	DE

Technical data

Product properties

Type	Standard
Product line	COMBICON Connectors S
Product type	PCB connector
Product family	FMC 1,5/..-ST-RF
Number of positions	8
Pitch	3.5 mm
Number of connections	8
Number of rows	1
Mounting flange	Self-locking flange
Number of potentials	8

Electrical properties

Nominal current I_N	8 A
Nominal voltage U_N	160 V
Degree of pollution	3
Contact resistance	2.7 mΩ
Rated voltage (III/3)	160 V
Rated surge voltage (III/3)	2.5 kV
Rated voltage (III/2)	160 V
Rated surge voltage (III/2)	2.5 kV
Rated voltage (II/2)	320 V
Rated surge voltage (II/2)	2.5 kV

Connection data

Connection technology

Type	Standard
Connector system	COMBICON MC 1,5
Nominal cross section	1.5 mm ²
Contact connection type	Socket

Interlock

Locking type	Snap-in locking
Mounting flange	Self-locking flange

Conductor connection

Connection method	Push-in spring connection
Conductor/PCB connection direction	0 °
Conductor cross section rigid	0.2 mm ² ... 1.5 mm ²
Conductor cross section flexible	0.2 mm ² ... 1.5 mm ²
Conductor cross section AWG	24 ... 16
Conductor cross section flexible, with ferrule without plastic	0.25 mm ² ... 1.5 mm ²

FMC 1,5/ 8-ST-3,5-RF - Printed-circuit board connector



1952089

<https://www.phoenixcontact.com/de/produkte/1952089>

sleeve	
Conductor cross section, flexible, with ferrule, with plastic sleeve	0.14 mm ² ... 0.75 mm ²
Cylindrical gauge a x b / diameter	2.4 mm x 1.5 mm / 1.6 mm
Stripping length	10 mm

Specifications for ferrules without insulating collar

recommended crimping tool	1212034 CRIMPFOX 6
ferrules without insulating collar, according to DIN 46228-1	Cross section: 0.25 mm ² ; Length: 7 mm
	Cross section: 0.34 mm ² ; Length: 7 mm
	Cross section: 0.5 mm ² ; Length: 8 mm ... 10 mm
	Cross section: 0.75 mm ² ; Length: 8 mm ... 10 mm
	Cross section: 1 mm ² ; Length: 8 mm ... 10 mm
	Cross section: 1.5 mm ² ; Length: 10 mm

Specifications for ferrules with insulating collar

recommended crimping tool	1212034 CRIMPFOX 6
ferrules with insulating collar, according to DIN 46228-4	Cross section: 0.14 mm ² ; Length: 8 mm
	Cross section: 0.25 mm ² ; Length: 8 mm ... 10 mm
	Cross section: 0.34 mm ² ; Length: 8 mm ... 10 mm
	Cross section: 0.5 mm ² ; Length: 8 mm ... 10 mm
	Cross section: 0.75 mm ² ; Length: 10 mm

Material specifications

Material data - contact

Note	WEEE/RoHS-compliant, free of whiskers according to IEC 60068-2-82/JEDEC JESD 201
Contact material	Cu alloy
Surface characteristics	hot-dip tin-plated
Metal surface terminal point (top layer)	Tin (4 - 8 µm Sn)
Metal surface contact area (top layer)	Tin (4 - 8 µm Sn)

Material data - housing

Color (Housing)	green (6021)
Insulating material	PA
Insulating material group	I
CTI according to IEC 60112	600
Flammability rating according to UL 94	V0
Glow wire flammability index GWFI according to EN 60695-2-12	850
Glow wire ignition temperature GWIT according to EN 60695-2-13	775
Temperature for the ball pressure test according to EN 60695-10-2	125 °C

Material data – actuating element

Insulating material	PBT
Insulating material group	IIIa

FMC 1,5/ 8-ST-3,5-RF - Printed-circuit board connector

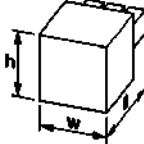


1952089

<https://www.phoenixcontact.com/de/produkte/1952089>

CTI according to IEC 60112	275
Flammability rating according to UL 94	V0

Dimensions

Dimensional drawing	
Pitch	3.5 mm
Width [w]	38.1 mm
Height [h]	7.8 mm
Length [l]	22.9 mm

Mounting

Connection method	Push-in spring connection
-------------------	---------------------------

Notes

Notes on operation	In accordance with IEC 61984, COMBICON connectors have no switching power (COC). During designated use, they must not be plugged in or disconnected when carrying voltage or under load.
--------------------	--

Mechanical tests

Conductor connection

Specification	IEC 60999-1:1999-11
Result	Test passed

Test for conductor damage and slackening

Specification	IEC 60999-1:1999-11
Result	Test passed

Repeated connection and disconnection

Specification	IEC 60999-1:1999-11
Result	Test passed

Pull-out test

Specification	IEC 60999-1:1999-11
Conductor cross section/conductor type/tractive force setpoint/actual value	0.2 mm ² / solid / > 10 N
	0.2 mm ² / flexible / > 10 N
	1.5 mm ² / solid / > 40 N
	1.5 mm ² / flexible / > 40 N

Insertion and withdrawal forces

Result	Test passed
No. of cycles	25
Insertion strength per pos. approx.	5 N

FMC 1,5/ 8-ST-3,5-RF - Printed-circuit board connector



1952089

<https://www.phoenixcontact.com/de/produkte/1952089>

Withdraw strength per pos. approx.	4 N
Resistance of inscriptions	
Specification	IEC 60068-2-70:1995-12
Result	Test passed
Polarization and coding	
Specification	IEC 60512-13-5:2006-02
Result	Test passed
Visual inspection	
Specification	IEC 60512-1-1:2002-02
Result	Test passed
Dimension check	
Specification	IEC 60512-1-2:2002-02
Result	Test passed

Environmental and real-life conditions

Vibration test

Specification	IEC 60068-2-6:2007-12
Frequency	10 - 150 - 10 Hz
Sweep speed	1 octave/min
Amplitude	0.35 mm (10 Hz ... 60.1 Hz)
Sweep speed	5g (60.1 Hz ... 150 Hz)
Test duration per axis	2.5 h

Durability test

Specification	IEC 60512-9-1:2010-03
Impulse withstand voltage at sea level	2.95 kV
Contact resistance R_1	2.7 m Ω
Contact resistance R_2	2.8 m Ω
Insertion/withdrawal cycles	25
Insulation resistance, neighboring positions	> 5 M Ω

Climatic test

Specification	ISO 6988:1985-02
Corrosive stress	0.2 dm ³ SO ₂ on 300 dm ³ /40 °C/1 cycle
Thermal stress	100 °C/168 h
Power-frequency withstand voltage	1.39 kV

Ambient conditions

Ambient temperature (operation)	-40 °C ... 100 °C (dependent on the derating curve)
Ambient temperature (storage/transport)	-40 °C ... 70 °C
Relative humidity (storage/transport)	30 % ... 70 %
Ambient temperature (assembly)	-5 °C ... 100 °C

1952089

<https://www.phoenixcontact.com/de/produkte/1952089>

Electrical tests

Thermal test | Test group C

Specification	IEC 60512-5-1:2002-02
Tested number of positions	12

Insulation resistance

Specification	IEC 60512-3-1:2002-02
Insulation resistance, neighboring positions	> 5 MΩ

Temperature cycles

Specification	IEC 60999-1:1999-11
Result	Test passed

Air clearances and creepage distances |

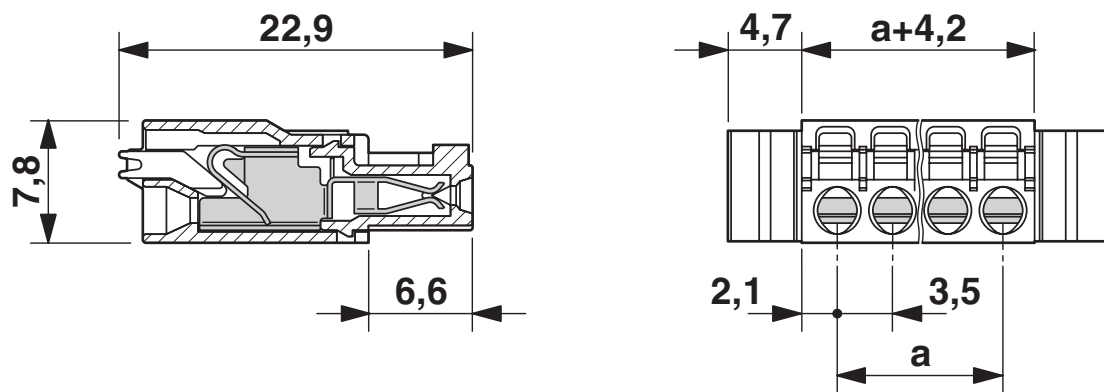
Specification	IEC 60664-1:2007-04
Insulating material group	I
Comparative tracking index (IEC 60112)	CTI 600
Rated insulation voltage (III/3)	160 V
Rated surge voltage (III/3)	2.5 kV
minimum clearance value - non-homogenous field (III/3)	1.5 mm
minimum creepage distance (III/3)	2 mm
Rated insulation voltage (III/2)	160 V
Rated surge voltage (III/2)	2.5 kV
minimum clearance value - non-homogenous field (III/2)	1.5 mm
minimum creepage distance (III/2)	1.5 mm
Rated insulation voltage (II/2)	320 V
Rated surge voltage (II/2)	2.5 kV
minimum clearance value - non-homogenous field (II/2)	1.5 mm
minimum creepage distance (II/2)	1.6 mm

Packaging specifications

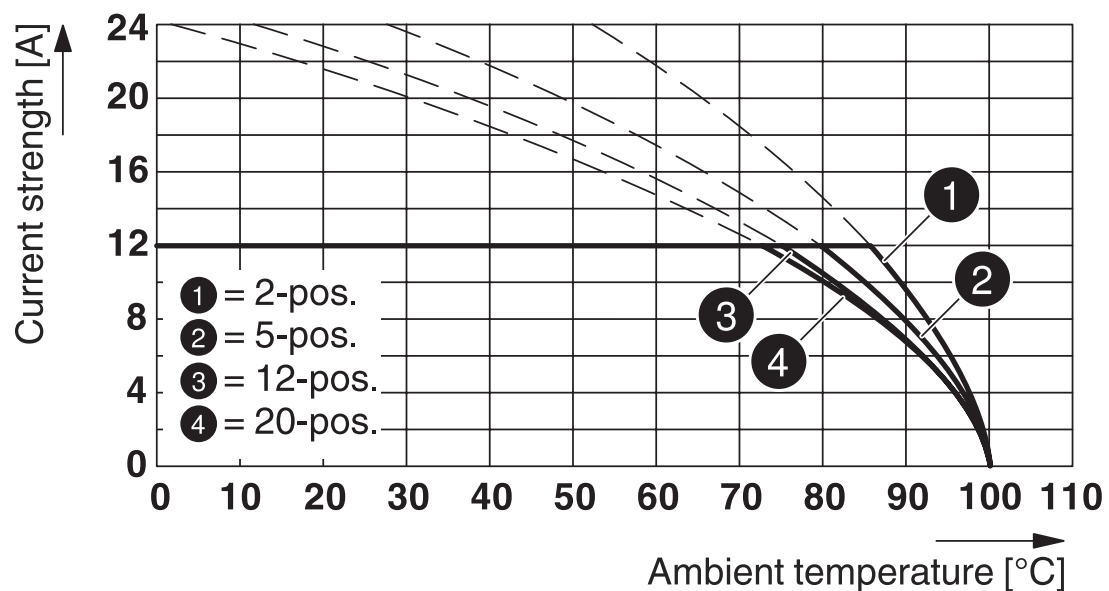
Type of packaging	packed in cardboard
-------------------	---------------------

Drawings

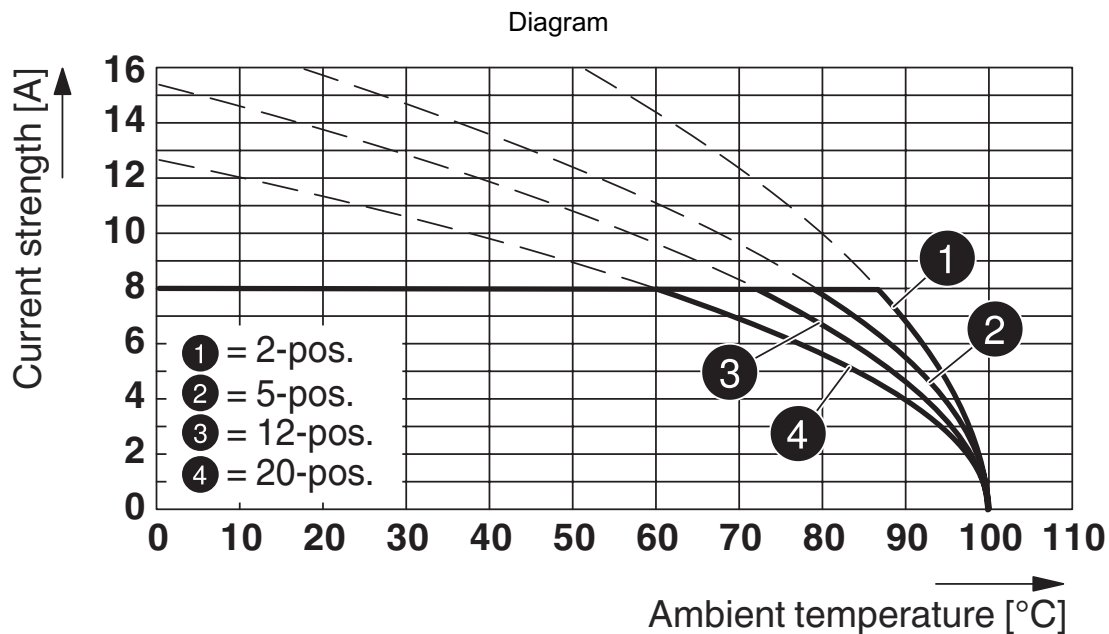
Dimensional drawing



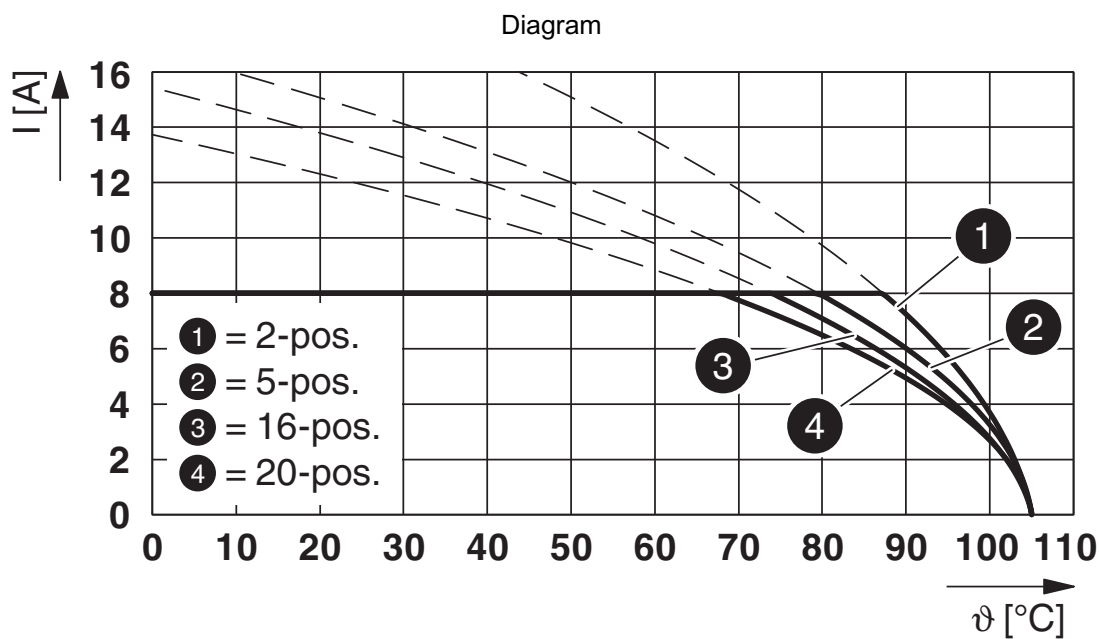
Diagram



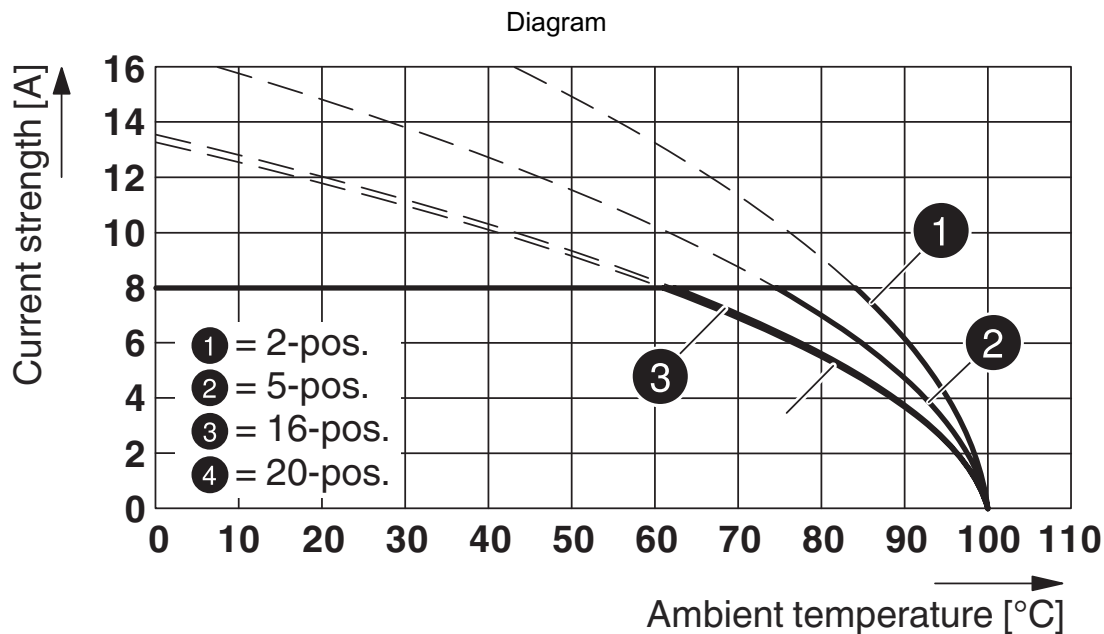
Type: FMC 1,5/...-ST-3,5-RF with MCV 1,5/...-G-3,5-RN



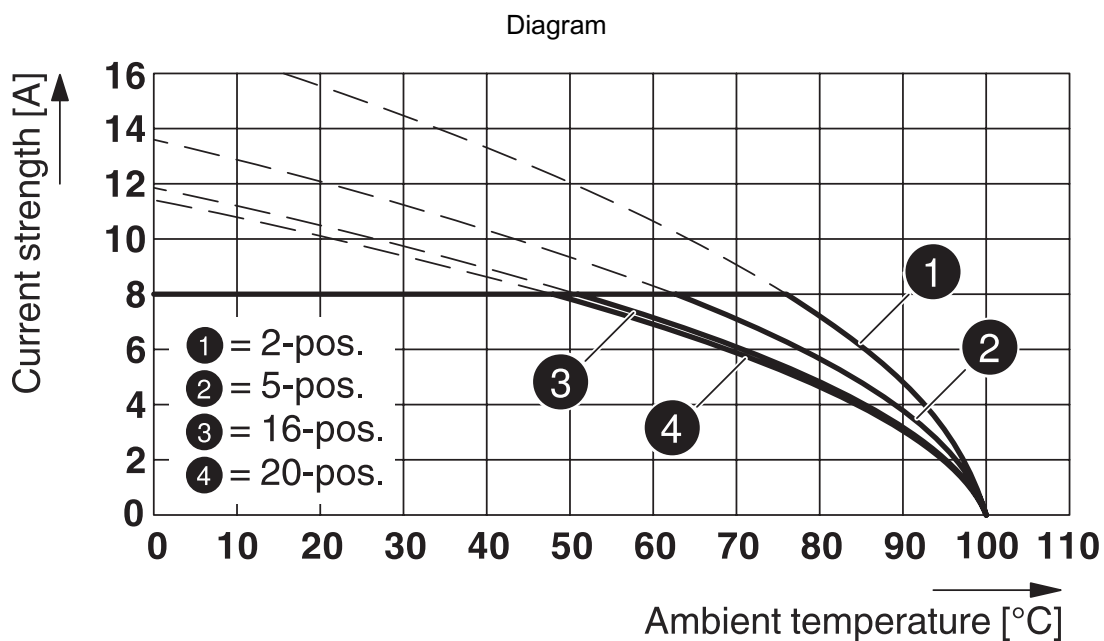
Type: FMC 1,5/...-ST-3,5-RF with MCV 1,5/...-G-3,5-RN P...THRR...



Type: FMC 1,5/...-ST-3,5-RF with MC 1,5/...-G-3,5-RN



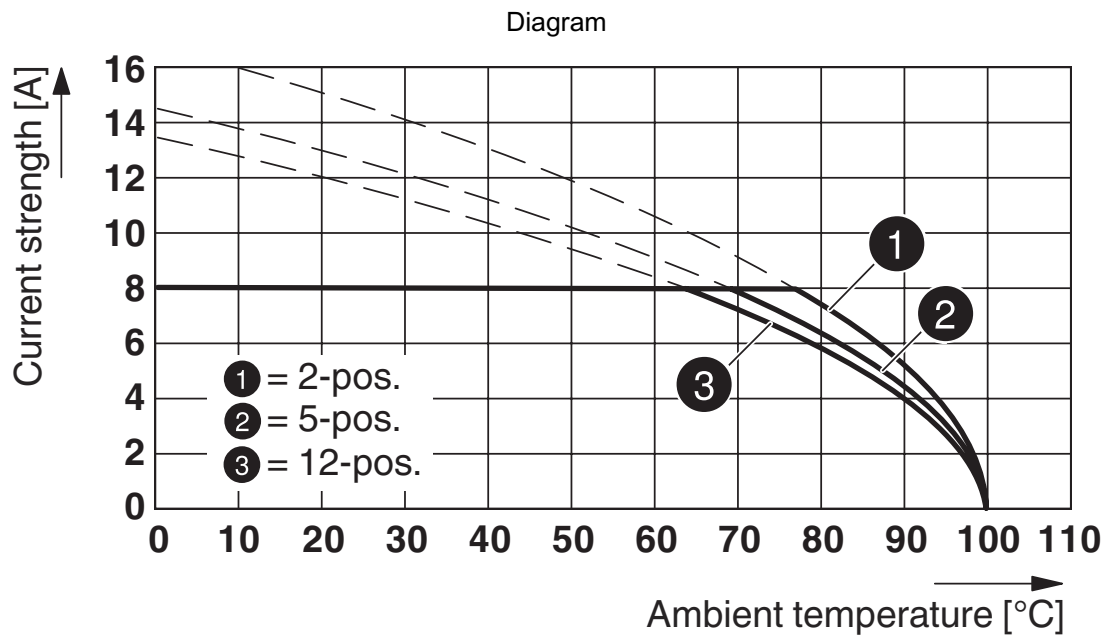
Type: FMC 1,5/...-ST-3,5-RF with MCDNV 1,5/...-G1-3,5 RNP...THR



Type: FMC 1,5/...-ST-3,5-RF with MCDN 1,5/...-G1-3,5 RNP..THR

1952089

<https://www.phoenixcontact.com/de/produkte/1952089>



Type: FMC 1,5/...-ST-3,5-RF with IFMC 1,5/...-ST-3,5-RN

FMC 1,5/ 8-ST-3,5-RF - Printed-circuit board connector



1952089

<https://www.phoenixcontact.com/de/produkte/1952089>

Approvals

To download certificates, visit the product detail page: <https://www.phoenixcontact.com/de/produkte/1952089>



EAC

Approval ID: B.01687



cULus Recognized

Approval ID: E60425-19920306

	Nominal voltage U_N	Nominal current I_N	Cross section AWG	Cross section mm^2
Use group B				
Field wiring	150 V	8 A	24 - 16	-
Use group C				
Factory wiring	50 V	8 A	24 - 16	-



VDE Zeichengenehmigung

Approval ID: 40011723

	Nominal voltage U_N	Nominal current I_N	Cross section AWG	Cross section mm^2
	160 V	8 A	-	0.2 - 1.5

FMC 1,5/ 8-ST-3,5-RF - Printed-circuit board connector



1952089

<https://www.phoenixcontact.com/de/produkte/1952089>

Classifications

ECLASS

ECLASS-11.0	27460202
ECLASS-12.0	27460202
ECLASS-13.0	27460202

ETIM

ETIM 8.0	EC002638
----------	----------

UNSPSC

UNSPSC 21.0	39121400
-------------	----------

FMC 1,5/ 8-ST-3,5-RF - Printed-circuit board connector



1952089

<https://www.phoenixcontact.com/de/produkte/1952089>

Environmental product compliance

China RoHS	Environmentally friendly use period: unlimited = EFUP-e
	No hazardous substances above threshold values

1952089

<https://www.phoenixcontact.com/de/produkte/1952089>

Accessories

SK U/2,8 WH:UNBEDRUCKT - Marker card

0803883

<https://www.phoenixcontact.com/de/produkte/0803883>

Marker card, Din A4, white, unlabeled, can be labeled with: PLOTMARK, CMS-P1-PLOTTER, Office printing systems, mounting type: adhesive, for terminal block width: 210 mm, lettering field size: 186 x 2.8 mm, Number of individual labels: 3600



B-STIFT - Marker pen

1051993

<https://www.phoenixcontact.com/de/produkte/1051993>

Marker pen, for manual labeling of unprinted Zack strips, smear-proof and waterproof, line thickness 0.5 mm



FMC 1,5/ 8-ST-3,5-RF - Printed-circuit board connector



1952089

<https://www.phoenixcontact.com/de/produkte/1952089>

CRIMPFOX 6 - Crimping pliers

1212034

<https://www.phoenixcontact.com/de/produkte/1212034>



Crimping pliers, for ferrules without insulating collar according to DIN 46228 Part 1 and ferrules with insulating collar according to DIN 46228 Part 4, 0.25 mm² ... 6.0 mm², lateral entry, trapezoidal crimp

SZS 0,4X2,5 VDE - Screwdriver

1205037

<https://www.phoenixcontact.com/de/produkte/1205037>



Screwdriver, slot-headed, VDE insulated, size: 0.4 x 2.5 x 80 mm, 2-component grip, with non-slip grip

FMC 1,5/ 8-ST-3,5-RF - Printed-circuit board connector



1952089

<https://www.phoenixcontact.com/de/produkte/1952089>

A 0,25- 5 - Ferrule

3202465

<https://www.phoenixcontact.com/de/produkte/3202465>



Ferrule, length: 5 mm, color: silver

A 0,25- 7 - Ferrule

3202478

<https://www.phoenixcontact.com/de/produkte/3202478>



Ferrule, length: 7 mm, color: silver

FMC 1,5/ 8-ST-3,5-RF - Printed-circuit board connector



1952089

<https://www.phoenixcontact.com/de/produkte/1952089>

A 0,34- 7 - Ferrule

3009202

<https://www.phoenixcontact.com/de/produkte/3009202>



Ferrule, length: 7 mm, color: silver

A 0,5 - 8 - Ferrule

3202481

<https://www.phoenixcontact.com/de/produkte/3202481>



Ferrule, length: 8 mm, color: silver

FMC 1,5/ 8-ST-3,5-RF - Printed-circuit board connector



1952089

<https://www.phoenixcontact.com/de/produkte/1952089>

A 0,5 -10 - Ferrule

3202494

<https://www.phoenixcontact.com/de/produkte/3202494>



Ferrule, length: 10 mm, color: silver

A 0,75- 8 - Ferrule

3202504

<https://www.phoenixcontact.com/de/produkte/3202504>



Ferrule, length: 8 mm, color: silver

FMC 1,5/ 8-ST-3,5-RF - Printed-circuit board connector



1952089

<https://www.phoenixcontact.com/de/produkte/1952089>

A 0,75-10 - Ferrule

3200234

<https://www.phoenixcontact.com/de/produkte/3200234>



Ferrule, length: 10 mm, color: silver

A 1 - 8 - Ferrule

3202517

<https://www.phoenixcontact.com/de/produkte/3202517>



Ferrule, length: 8 mm, color: silver

FMC 1,5/ 8-ST-3,5-RF - Printed-circuit board connector



1952089

<https://www.phoenixcontact.com/de/produkte/1952089>

A 1 -10 - Ferrule

3200250

<https://www.phoenixcontact.com/de/produkte/3200250>



Ferrule, length: 10 mm, color: silver

A 1,5 -10 - Ferrule

3200276

<https://www.phoenixcontact.com/de/produkte/3200276>



Ferrule, length: 10 mm, color: silver

FMC 1,5/ 8-ST-3,5-RF - Printed-circuit board connector



1952089

<https://www.phoenixcontact.com/de/produkte/1952089>

AI 0,14- 8 GY -1000 - Ferrule

3203011

<https://www.phoenixcontact.com/de/produkte/3203011>



Ferrule, sleeve length: 8 mm, length: 12.5 mm, color: gray

AI 0,34- 8 TQ - Ferrule

3203066

<https://www.phoenixcontact.com/de/produkte/3203066>



Ferrule, sleeve length: 8 mm, length: 12.5 mm, color: turquoise

FMC 1,5/ 8-ST-3,5-RF - Printed-circuit board connector



1952089

<https://www.phoenixcontact.com/de/produkte/1952089>

AI 0,34-10 TQ - Ferrule

3241129

<https://www.phoenixcontact.com/de/produkte/3241129>



Ferrule, sleeve length: 10 mm, length: 14.5 mm, color: turquoise

AI 0,5 - 8 WH - Ferrule

3200014

<https://www.phoenixcontact.com/de/produkte/3200014>



Ferrule, sleeve length: 8 mm, length: 14 mm, color: white

FMC 1,5/ 8-ST-3,5-RF - Printed-circuit board connector



1952089

<https://www.phoenixcontact.com/de/produkte/1952089>

AI 0,5 -10 WH - Ferrule

3201275

<https://www.phoenixcontact.com/de/produkte/3201275>



Ferrule, sleeve length: 10 mm, length: 16 mm, color: white

AI 0,75- 8 GY - Ferrule

3200519

<https://www.phoenixcontact.com/de/produkte/3200519>



Ferrule, sleeve length: 8 mm, length: 14 mm, color: gray

FMC 1,5/ 8-ST-3,5-RF - Printed-circuit board connector



1952089

<https://www.phoenixcontact.com/de/produkte/1952089>

AI 0,75-10 GY - Ferrule

3201288

<https://www.phoenixcontact.com/de/produkte/3201288>

Ferrule, sleeve length: 10 mm, length: 16 mm, color: gray



AI 0,25- 8 YE - Ferrule

3203037

<https://www.phoenixcontact.com/de/produkte/3203037>

Ferrule, sleeve length: 8 mm, length: 12.5 mm, color: yellow



Phoenix Contact 2023 © - all rights reserved
<https://www.phoenixcontact.com>

PHOENIX CONTACT Deutschland GmbH
Flachsmarktstraße 8
D-32825 Blomberg
+49 52 35/3-1 20 00
info@phoenixcontact.de