

# Protective cover - VC-SD-T1

1886728

<https://www.phoenixcontact.com/us/products/1886728>

Please be informed that the data shown in this PDF document is generated from our Online Catalog. Please find the complete data in the user documentation. Our General Terms of Use for Downloads are valid.

---



Protective cover, Protective cover, type: VC1, housing material: PA 6, color: gray

---

## Your advantages

- Easy mounting
- Contact inserts are protected when not plugged in

# Protective cover - VC-SD-T1



1886728

<https://www.phoenixcontact.com/us/products/1886728>

## Commercial Data

Item number	1886728
Packing unit	1 pc
Minimum order quantity	5 pc
Sales Key	A16
Product Key	ABLAZB
Catalog Page	Page 48 (C-2-2013)
GTIN	4017918908416
Weight per Piece (including packing)	16.12 g
Weight per Piece (excluding packing)	16.12 g
Customs tariff number	39269097
Country of origin	PL

## Technical Data

### Notes

#### Safety note

##### Safety note

WARNING: The connectors may not be plugged in or disconnected under load. Ignoring the warning or improper use may damage persons and/or property.

- WARNING: Commission properly functioning products only. The products must be regularly inspected for damage. Decommission defective products immediately. Replace damaged products. Repairs are not possible.

- WARNING: Only electrically qualified personnel may install and operate the product. They must observe the following safety notes. The qualified personnel must be familiar with the basics of electrical engineering. They must be able to recognize and prevent danger. The relevant symbol on the packaging indicates that only personnel familiar with electrical engineering are allowed to install and operate the product.

- The products are suitable for applications in plant, controller, and electrical device engineering.

- When operating the connectors in outdoor applications, they must be separately protected against environmental influences.

- Assembled products may not be manipulated or improperly opened.

- Only use mating connectors that are specified in the technical data of the standards listed (e.g. the ones listed in the product accessories online at [phoenixcontact.com/products](https://www.phoenixcontact.com/products)).

- When using the product in direct connection with third-party manufacturers, the user is responsible.

- For operating voltages > 50 V AC, conductive connector housings must be grounded

- Ensure that the protective or functional ground has been properly connected.

- VDE 0100/1.97 § 411.1.3.2 and DIN EN 60 204/11.98 § 14.1.3 are applicable when combining several circuits in a cable and/or connector

- Observe the corresponding technical data. You will find information:

- o On the product

- o On the packing label

- o In the supplied documentation

- o Online at [phoenixcontact.com/products](https://www.phoenixcontact.com/products) under the product

- Only use tools recommended by Phoenix Contact

- The installation notes/Design In documents online on the download page at [phoenixcontact.com/products](https://www.phoenixcontact.com/products) must be observed for this product.

- Use a protective cap to protect connectors that are not in use. The suitable accessories are available online in the accessory section of the product at [phoenixcontact.com/products](https://www.phoenixcontact.com/products)

- Operate the connector only when it is fully plugged in.

- Ensure that when laying the cable, the tensile load on the connectors does not exceed the upper limit specified in the

# Protective cover - VC-SD-T1

1886728

<https://www.phoenixcontact.com/us/products/1886728>

	standards.
	<ul style="list-style-type: none"><li>• Observe the minimum bending radius of the cable. Lay the cable without twisting it.</li></ul>
	<ul style="list-style-type: none"><li>• The connector warms up in normal operation. Depending on the ambient conditions, the surface of the connector can continue to warm up. In this case, the user is responsible for posting warnings (e.g. DIN EN ISO 13732-1:2008-12).</li></ul>

## Product properties

Type	VC1
Product type	Protective cover
Type	for sleeve housing
Fixing screws	M4
Seal present	no
Locking type	Screw locking

## Dimensions

Dimensional drawing	
Width	33 mm
Height	24 mm
Length	59 mm

## Material specifications

Color	gray
Color of the housing part	gray
Material	PA
Flammability rating according to UL 94	V0
Material, protective cover	PA
Housing material	PA 6

## Mechanical properties

### Mechanical data

Locking type	Nut
--------------	-----

## Environmental and real-life conditions

### Ambient conditions

Degree of protection	IP65
Degree of protection	IP50
Ambient temperature (operation)	-40 °C ... 80 °C

## Mounting

# Protective cover - VC-SD-T1



1886728

<https://www.phoenixcontact.com/us/products/1886728>

Mounting type	Screw locking
Assembly instructions	Tightening torque 1.6 Nm
Fixing screws	M4
Hexagonal socket	M4

# Protective cover - VC-SD-T1

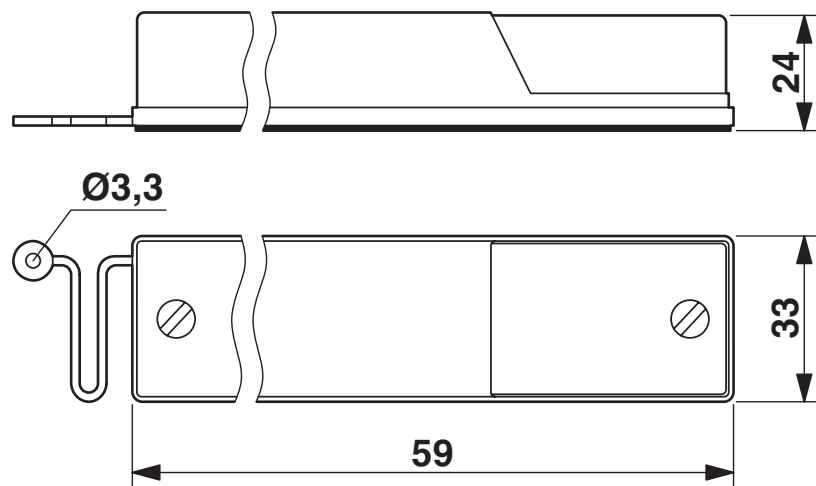
1886728

<https://www.phoenixcontact.com/us/products/1886728>



## Drawings

Dimensional drawing



# Protective cover - VC-SD-T1

1886728

<https://www.phoenixcontact.com/us/products/1886728>



## Approvals



**EAC**

Approval ID: B.01687

# Protective cover - VC-SD-T1



1886728

<https://www.phoenixcontact.com/us/products/1886728>

## Classifications

### ECLASS

ECLASS-9.0	27440208
ECLASS-10.0.1	27440208
ECLASS-11.0	27440208

### ETIM

ETIM 8.0	EC002314
----------	----------

### UNSPSC

UNSPSC 21.0	39121400
-------------	----------



# Protective cover - VC-SD-T1



1886728

<https://www.phoenixcontact.com/us/products/1886728>

## Environmental Product Compliance

China RoHS	Environmentally friendly use period: unlimited = EFUP-e No hazardous substances above threshold values
------------	---

Phoenix Contact 2022 © - all rights reserved  
<https://www.phoenixcontact.com>

Phoenix Contact USA  
586 Fulling Mill Road  
Middletown, PA 17057, United States  
(+717) 944-1300  
[info@phoenixcon.com](mailto:info@phoenixcon.com)