

# Sleeve housing - VC-MEMV-T3-Z-M25

1886579

<https://www.phoenixcontact.com/us/products/1886579>

Please be informed that the data shown in this PDF document is generated from our Online Catalog. Please find the complete data in the user documentation. Our General Terms of Use for Downloads are valid.

---



Sleeve housings, Range of articles: VARIOCON, Sleeve housing, type: VC3, housing material: Zinc die-cast, color: nickel. When using fiber optics, the bending radii of the cable manufacturers must be observed.

---

# Sleeve housing - VC-MEMV-T3-Z-M25



1886579

<https://www.phoenixcontact.com/us/products/1886579>

## Commercial Data

Item number	1886579
Packing unit	1 pc
Minimum order quantity	5 pc
Sales Key	A16
Product Key	ABLAAB
Catalog Page	Page 367 (PC-2009)
GTIN	4017918847999
Weight per Piece (including packing)	357.13 g
Weight per Piece (excluding packing)	268.18 g
Customs tariff number	85389099
Country of origin	PL

## Technical Data

### Notes

General	When using fiber optics, the bending radii of the cable manufacturers must be observed.
Safety note	
Safety note	<p>WARNING: The connectors may not be plugged in or disconnected under load. Ignoring the warning or improper use may damage persons and/or property.</p> <ul style="list-style-type: none"> <li>• WARNING: Commission properly functioning products only. The products must be regularly inspected for damage. Decommission defective products immediately. Replace damaged products. Repairs are not possible.</li> <li>• WARNING: Only electrically qualified personnel may install and operate the product. They must observe the following safety notes. The qualified personnel must be familiar with the basics of electrical engineering. They must be able to recognize and prevent danger. The relevant symbol on the packaging indicates that only personnel familiar with electrical engineering are allowed to install and operate the product.</li> <li>• The products are suitable for applications in plant, controller, and electrical device engineering.</li> <li>• When operating the connectors in outdoor applications, they must be separately protected against environmental influences.</li> <li>• Assembled products may not be manipulated or improperly opened.</li> <li>• Only use mating connectors that are specified in the technical data of the standards listed (e.g. the ones listed in the product accessories online at <a href="https://www.phoenixcontact.com/products">phoenixcontact.com/products</a>).</li> <li>• When using the product in direct connection with third-party manufacturers, the user is responsible.</li> <li>• For operating voltages &gt; 50 V AC, conductive connector housings must be grounded</li> <li>• Ensure that the protective or functional ground has been properly connected.</li> <li>• VDE 0100/1.97 § 411.1.3.2 and DIN EN 60 204/11.98 § 14.1.3 are applicable when combining several circuits in a cable and/or connector</li> <li>• Observe the corresponding technical data. You will find information:             <ul style="list-style-type: none"> <li>o On the product</li> <li>o On the packing label</li> <li>o In the supplied documentation</li> <li>o Online at <a href="https://www.phoenixcontact.com/products">phoenixcontact.com/products</a> under the product</li> </ul> </li> <li>• Only use tools recommended by Phoenix Contact</li> <li>• The installation notes/Design In documents online on the download page at <a href="https://www.phoenixcontact.com/products">phoenixcontact.com/products</a> must be observed for this product.</li> <li>• Use a protective cap to protect connectors that are not in use. The suitable accessories are available online in the accessory section of the product at <a href="https://www.phoenixcontact.com/products">phoenixcontact.com/products</a></li> <li>• Operate the connector only when it is fully plugged in.</li> </ul>

# Sleeve housing - VC-MEMV-T3-Z-M25



1886579


<https://www.phoenixcontact.com/us/products/1886579>

	<ul style="list-style-type: none"><li>• Ensure that when laying the cable, the tensile load on the connectors does not exceed the upper limit specified in the standards.</li></ul>
	<ul style="list-style-type: none"><li>• Observe the minimum bending radius of the cable. Lay the cable without twisting it.</li></ul>
	<ul style="list-style-type: none"><li>• The connector warms up in normal operation. Depending on the ambient conditions, the surface of the connector can continue to warm up. In this case, the user is responsible for posting warnings (e.g. DIN EN ISO 13732-1:2008-12).</li></ul>

## Product properties

Type	VC3
Product type	Sleeve housings
No. of cable outlets	1
Type of the screw connection	M25
Housing type	Sleeve housing
Locking type	Screw locking, cylinder head
Shielded	yes
Cable outlet	angled

## Dimensions

Dimensional drawing	
Width	33 mm
Height	75 mm
Length	96 mm

## Material specifications

Color	nickel
Color of the housing part	silver
Material	Zinc die-castNickel (Housing) NBR (O-ring)
Sealing material	EPDM, conductive
O-ring material	NBR
Material of locking screw	Stainless steel
Housing material	Zinc die-cast

## Mechanical properties

### Mechanical data

Type of the screw connection	M25
Locking type	Screw

## Environmental and real-life conditions

# Sleeve housing - VC-MEMV-T3-Z-M25



1886579

<https://www.phoenixcontact.com/us/products/1886579>

## Ambient conditions

Degree of protection	IP67 (IEC 60529)
Degree of protection	IP65/IP66/IP67
Ambient temperature (operation)	-40 °C ... 125 °C

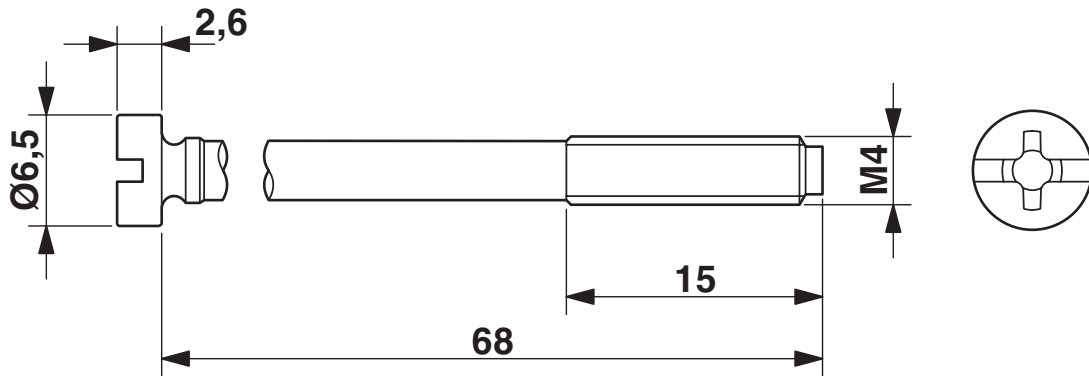
# Sleeve housing - VC-MEMV-T3-Z-M25

1886579

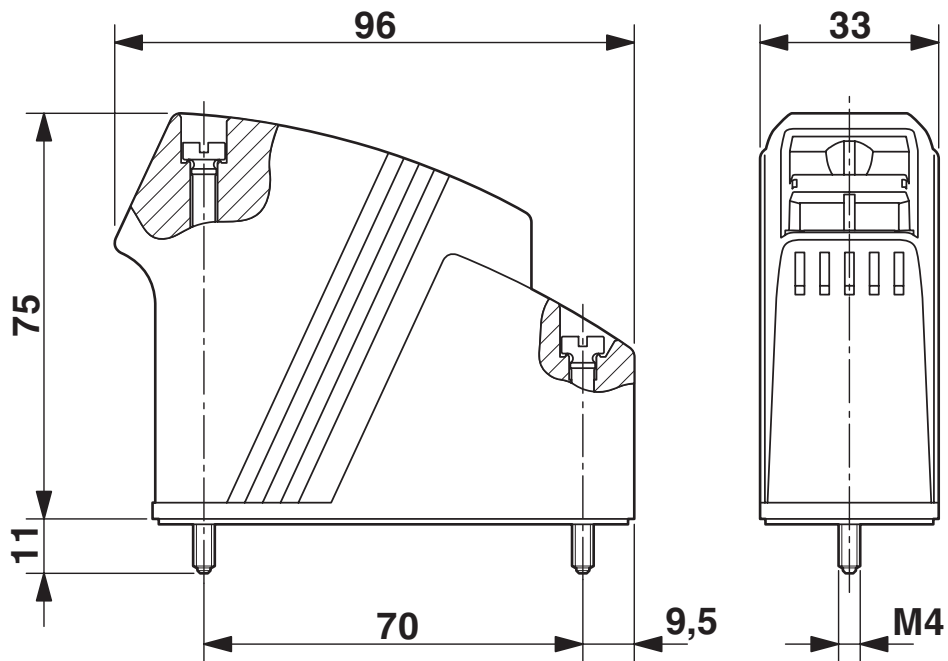
<https://www.phoenixcontact.com/us/products/1886579>

## Drawings

Dimensional drawing



Dimensional drawing



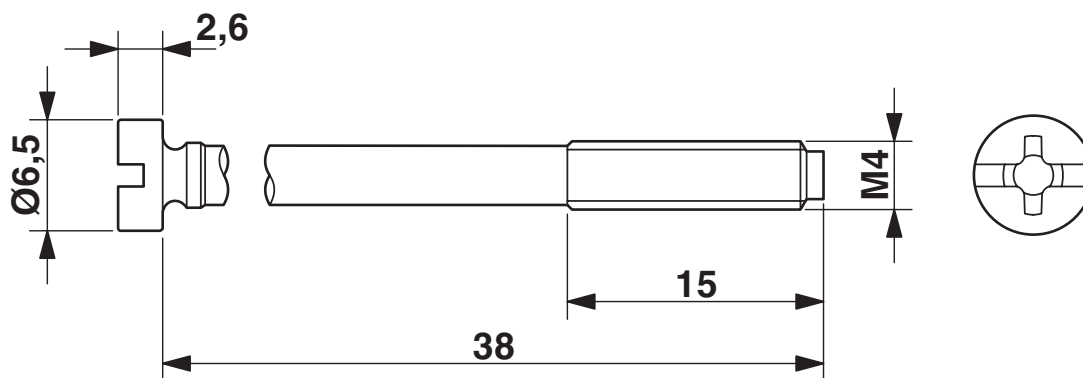
# Sleeve housing - VC-MEMV-T3-Z-M25

1886579

<https://www.phoenixcontact.com/us/products/1886579>



Dimensional drawing



# Sleeve housing - VC-MEMV-T3-Z-M25



1886579

<https://www.phoenixcontact.com/us/products/1886579>

## Approvals



**EAC**

Approval ID: B.01687



# Sleeve housing - VC-MEMV-T3-Z-M25



1886579

<https://www.phoenixcontact.com/us/products/1886579>

## Classifications

### ECLASS

ECLASS-9.0	27440202
ECLASS-10.0.1	27440202
ECLASS-11.0	27440202

### ETIM

ETIM 8.0	EC000437
----------	----------

### UNSPSC

UNSPSC 21.0	31261500
-------------	----------

# Sleeve housing - VC-MEMV-T3-Z-M25



1886579

<https://www.phoenixcontact.com/us/products/1886579>

## Environmental Product Compliance

China RoHS	Environmentally friendly use period: unlimited = EFUP-e
	No hazardous substances above threshold values

# Sleeve housing - VC-MEMV-T3-Z-M25

1886579

<https://www.phoenixcontact.com/us/products/1886579>

## Accessories

### Marking label

Marking label - VC-BZS WH - 1852875

<https://www.phoenixcontact.com/us/products/1852875>



Marker labels, unprinted, 5-section, for individual labeling with M-PEN or CMS system, white

---

### Connector component

Connector component - VC-SCHR.ZYL-B-M4X38X15-Z2L-V4A - 1628354

<https://www.phoenixcontact.com/us/products/1628354>



M4x38x15 mm cylinder screw as replacement for VC sleeve housing

# Sleeve housing - VC-MEMV-T3-Z-M25

1886579

<https://www.phoenixcontact.com/us/products/1886579>

## Connector component

Connector component - VC-SCHR.ZYL-B-M4X68X15-Z2L-V4A - 1628355

<https://www.phoenixcontact.com/us/products/1628355>



M4x68x15 mm cylinder screw as replacement for VC sleeve housing

---

## Connector component

Connector component - VC-O-RING 3X1,5 NBR-NT70:100 - 1628356

<https://www.phoenixcontact.com/us/products/1628356>



O-ring as replacement for VC sleeve housing

# Sleeve housing - VC-MEMV-T3-Z-M25

1886579

<https://www.phoenixcontact.com/us/products/1886579>

## Protective cover

Protective cover - VC-SD3 - 1853696

<https://www.phoenixcontact.com/us/products/1853696>



Protective cover, Range of articles: VARIOCON, Protective cover, type: VC3, housing material: PA 6, color: gray

---

## Protective cover

Protective cover - VC-SD-T3 - 1886744

<https://www.phoenixcontact.com/us/products/1886744>



Protective cover, Protective cover, type: VC3, housing material: PA 6, color: gray

---

Phoenix Contact 2022 © - all rights reserved

<https://www.phoenixcontact.com>

Phoenix Contact USA  
586 Fulling Mill Road  
Middletown, PA 17057, United States  
(+717) 944-1300  
[info@phoenixcon.com](mailto:info@phoenixcon.com)